

TY PAC
Inc.

PO Box 425
Baldwinsville, NY 13027
800 356-8964 315 638-9431
FAX 315 638-9433
www.typac.net
info@typac.com

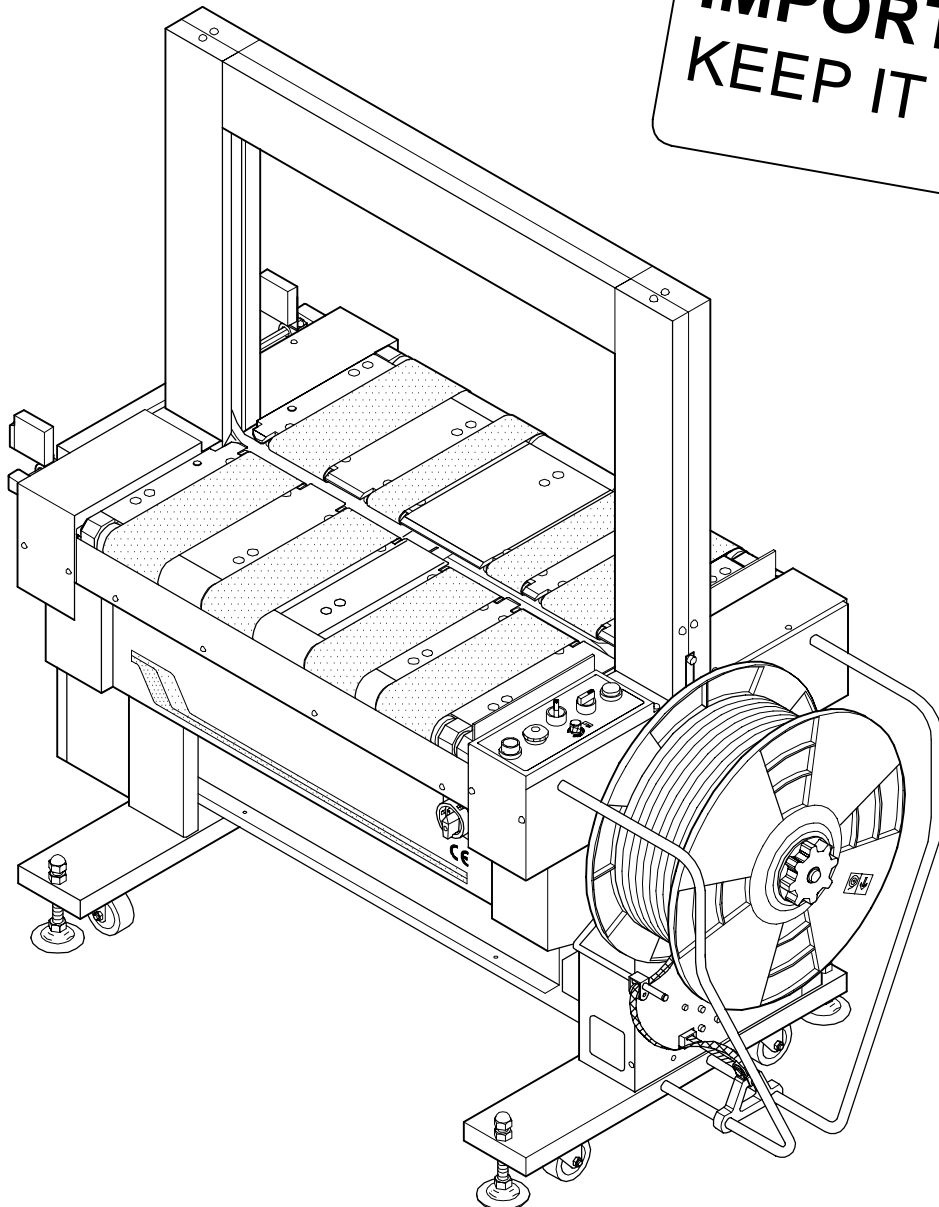


AUTOMATIC POLYPROPYLENE STRAPPING MACHINE

AUTO PAC 300

OPERATION MANUAL & SPARE PARTS LIST

IMPORTANT!
KEEP IT WELL



READ ALL INSTRUCTIONS BEFORE OPERATING THIS PRODUCT

Explanations for Each Model NO. :

TP-601A : Three Phase Transit Model with Roller-Driven Table

TP-601AS : Three Phase Transit Model with Roller-Driven Table and
Stainless Steel Frame

TP-601B : Three Phase Transit Model with Belt-Driven Table

TP-601BS : Three Phase Transit Model with Belt-Driven Table and
Stainless Steel Frame

TP-601BP : Three Phase Transit Model with Belt-Driven Table and Press Bar

TP-601BPS : Three Phase Transit Model with Belt-Driven Table,
Press Bar and Stainless Steel Frame

PART I

CONTENTS

1. Safety Instructions.....	1~2
2. Construction and Function of Units.....	3~5
3. Technical Date.....	6~8
4. Control Panel	9
5. Electric Unit	10~11
6. How to Load P.P. Strap.....	12
7. How to Operate	13
8. Recommendations for Trouble-free Operation.....	13
9. Adjustments.....	14~18
10. Installation of Arch Unit.....	19~20
11. Wiring Diagram	21~30
12. Inverter Parameters Setup.....	31
13. Troubleshooting	32
14. Pneumatic System Diagram.....	33
15. Installation of Cylinder Unit.....	34
16. How to connect Upstream and Downstream Machine.....	35

1. Safety Instructions

(1) Before operating

- a. Please always wear proper eye protection and safety gloves before operating this machine.



Eye protection must be worn



Safety gloves must be worn

- b. Please make sure if the power voltage is correct.
c. It can only be operated with P.P. strap; not PET strap or Polyester cord strap.

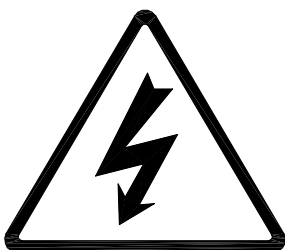
(2) During operating

- a. The weight of package should not exceed 80kg(TP-601A) and 35kg(TP-601B/BP), and the size should not be less than 250mmx250mmx20mm.
b. Check if the machine emits any smokes or unusual sound when it is running.
c. Warning
a-1. For your own safety, please read instruction manual before operating. Keep away from arch while the machine is running.
b-2. Do not put your hands or body into the Archworking area when the machine is running.

(3) After operating

- a. Please pull out the power plug.
b. Please get rid of the dirt or impurity on the machine.

(4) Signs



Caution, risk of electric shock



Do not touch!

(5) Maintenance

- a. Please turn off the power before opening the top plate.
- b. Please do not touch the heater due to the high temperature.
- c. Be careful with the heater if you open the front plate for 30mm.

(6) Other remainders

- a. Do not alter or bypass protective interlocks
- b. A safety manual must remain attached to the machine at all times
- c. Do not alter circuits and machine unless authorized to do so by the manufacturer.
- d. All electrical apparatus must be properly grounded.
- e. Wire the machine according to the local electrical code.

2. Construction and Function of Units

a. TP-601A

7 Transmission group

These rollers are driven by motor.

1 Strapping head unit

This unit is the most important part of the machine for cutting and sealing of P.P. strap.

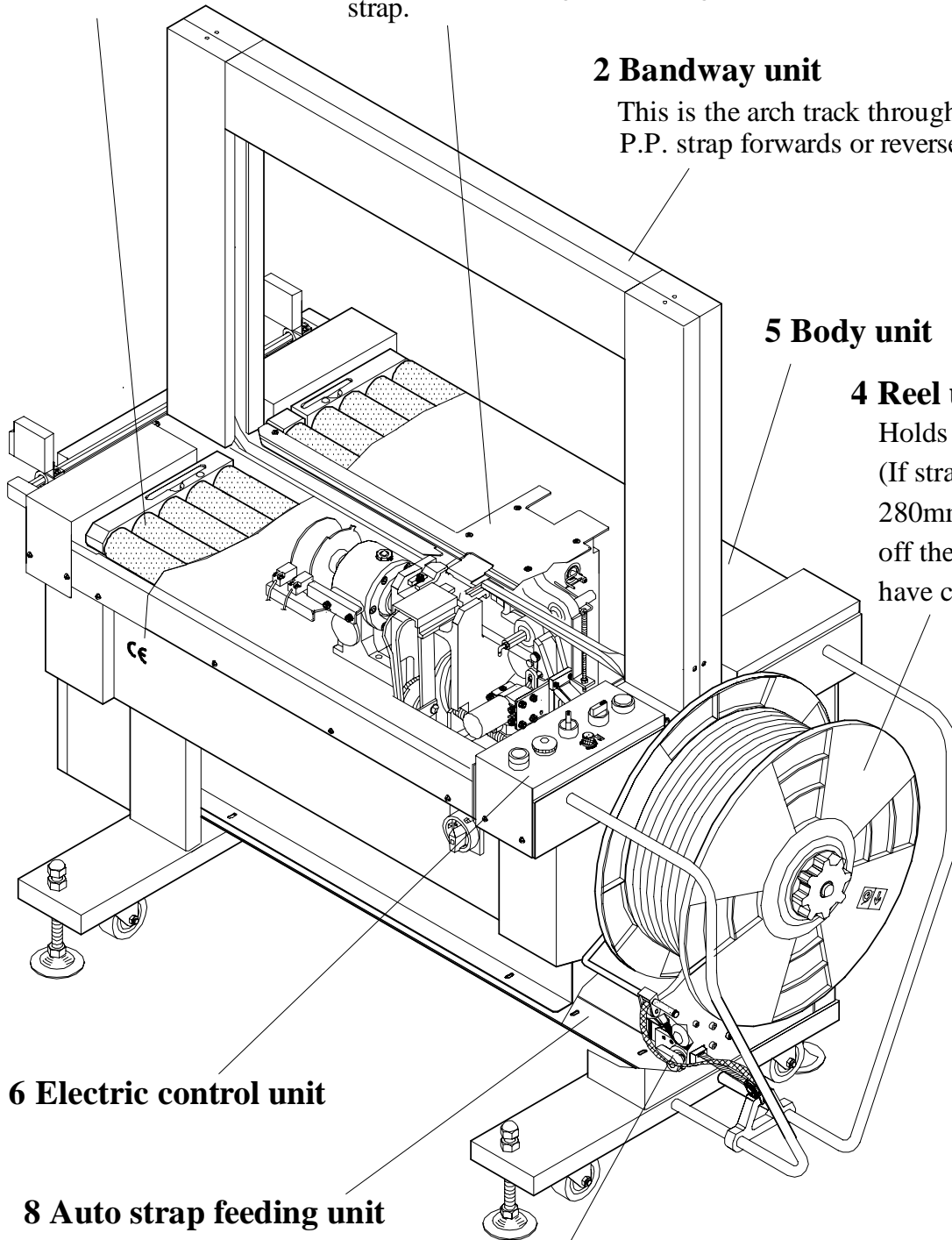
2 Bandway unit

This is the arch track through which P.P. strap forwards or reverses.

5 Body unit

4 Reel unit

Holds the strap coil.
(If strap core is 230/280mm, you can take off the center drum to have core size 200mm.)



6 Electric control unit

8 Auto strap feeding unit

3 Accumulator unit

This unit accumulates the quantity of strap required for smooth feeding into the chute track.

b. TP-601B

1 Strapping head unit

This unit is the most important part of the machine for cutting and sealing of P.P. strap.

2 Bandway unit

This is the arch track through which P.P. strap forwards or reverses.

5 Body unit

4 Reel unit

Holds the strap coil.
(If strap core is 230/280mm, you can take off the center drum to have core size 200mm.)

3 Transmission group

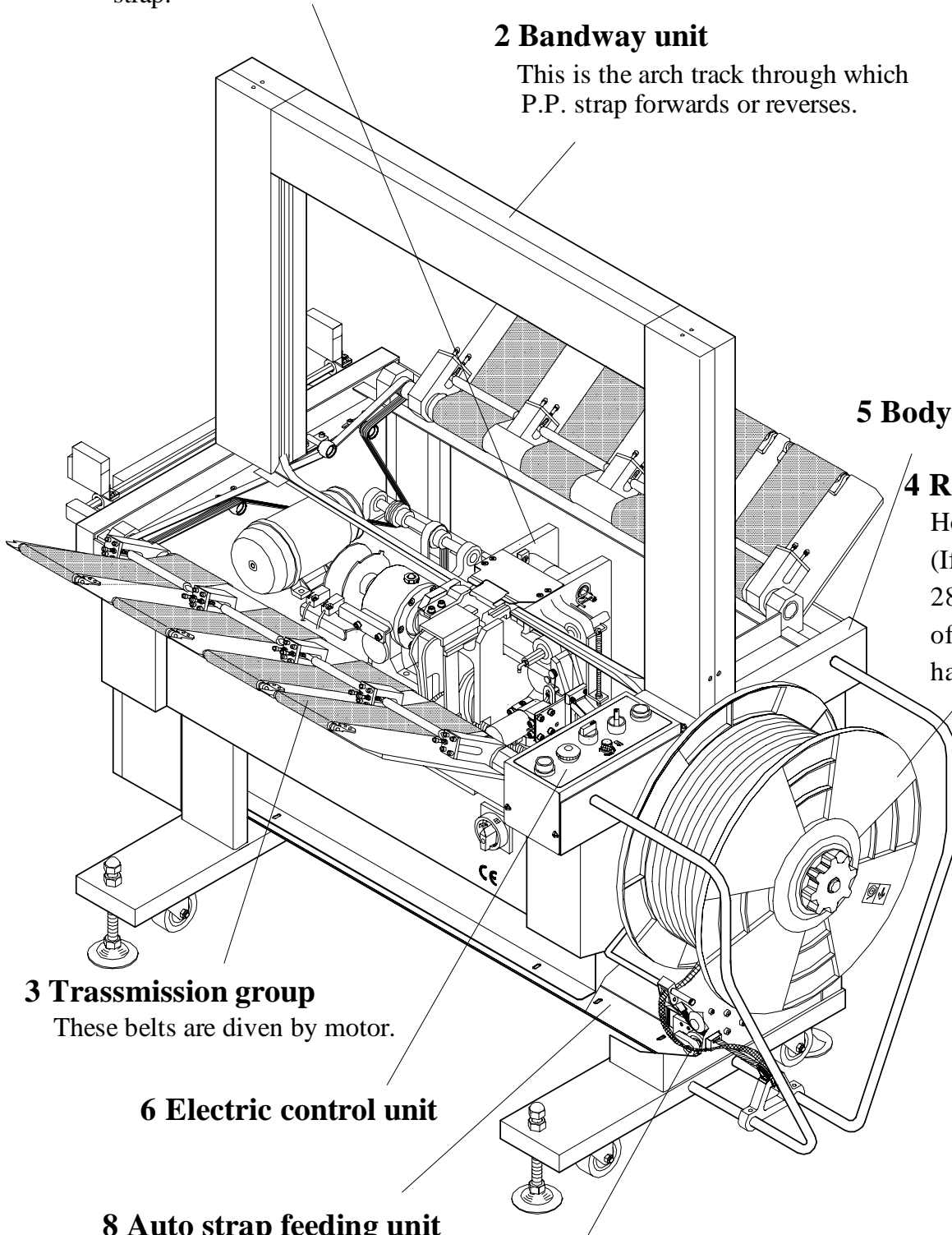
These belts are driven by motor.

6 Electric control unit

8 Auto strap feeding unit

3 Accumulator unit

This unit accumulates the quantity of strap required for smooth feeding into the chute track.



c. TP-601BP

1 Strapping head unit

This unit is the most important part of the machine for cutting and sealing of P.P. strap.

9 Pneumatic unit

2 Bandway unit

This is the arch track through which P.P. strap forwards or reverses.

5 Body unit

4 Reel unit

Holds the strap coil.
(If strap core is 230/280mm, you can take off the center drum to have core size 200mm.)

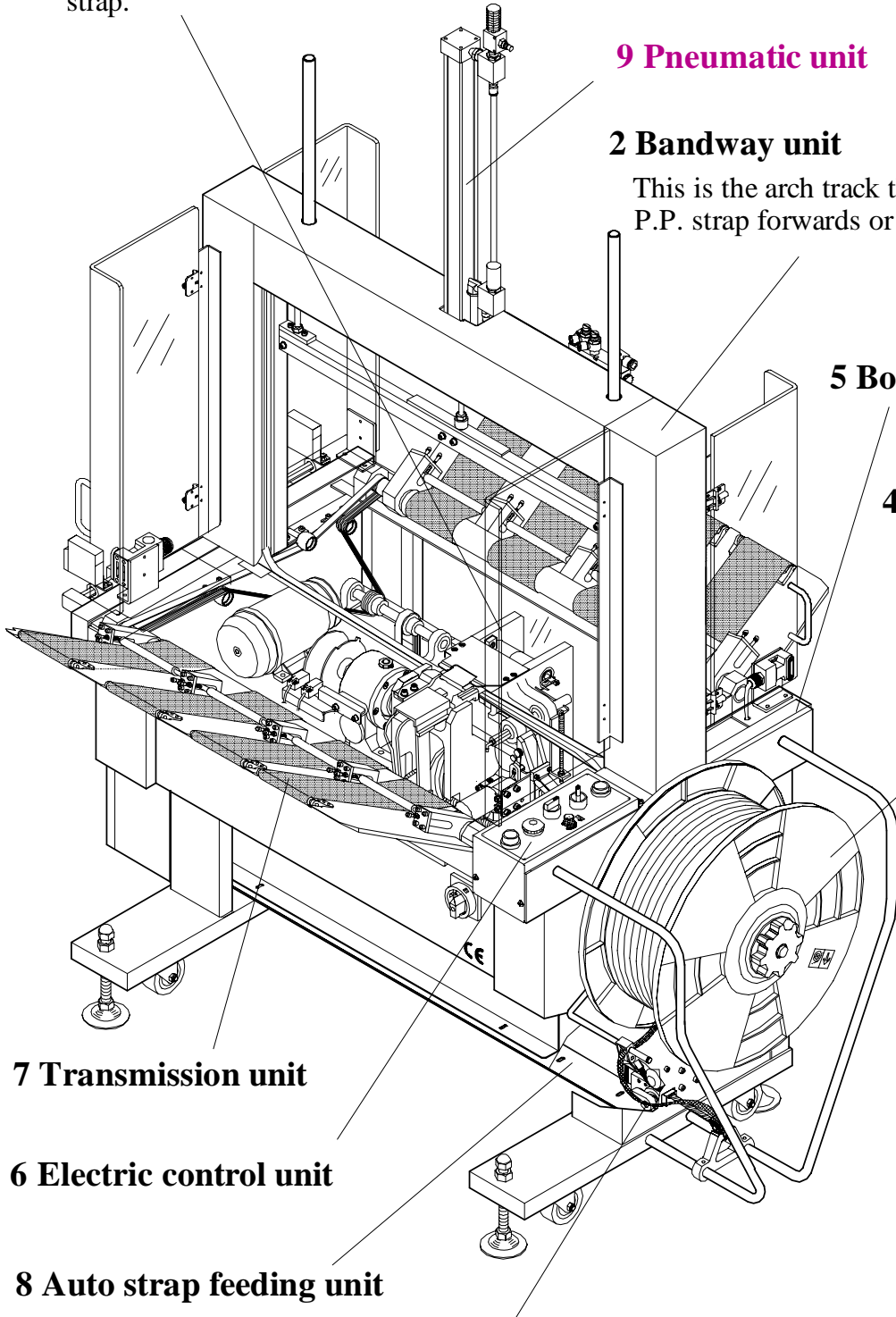
7 Transmission unit

6 Electric control unit

8 Auto strap feeding unit

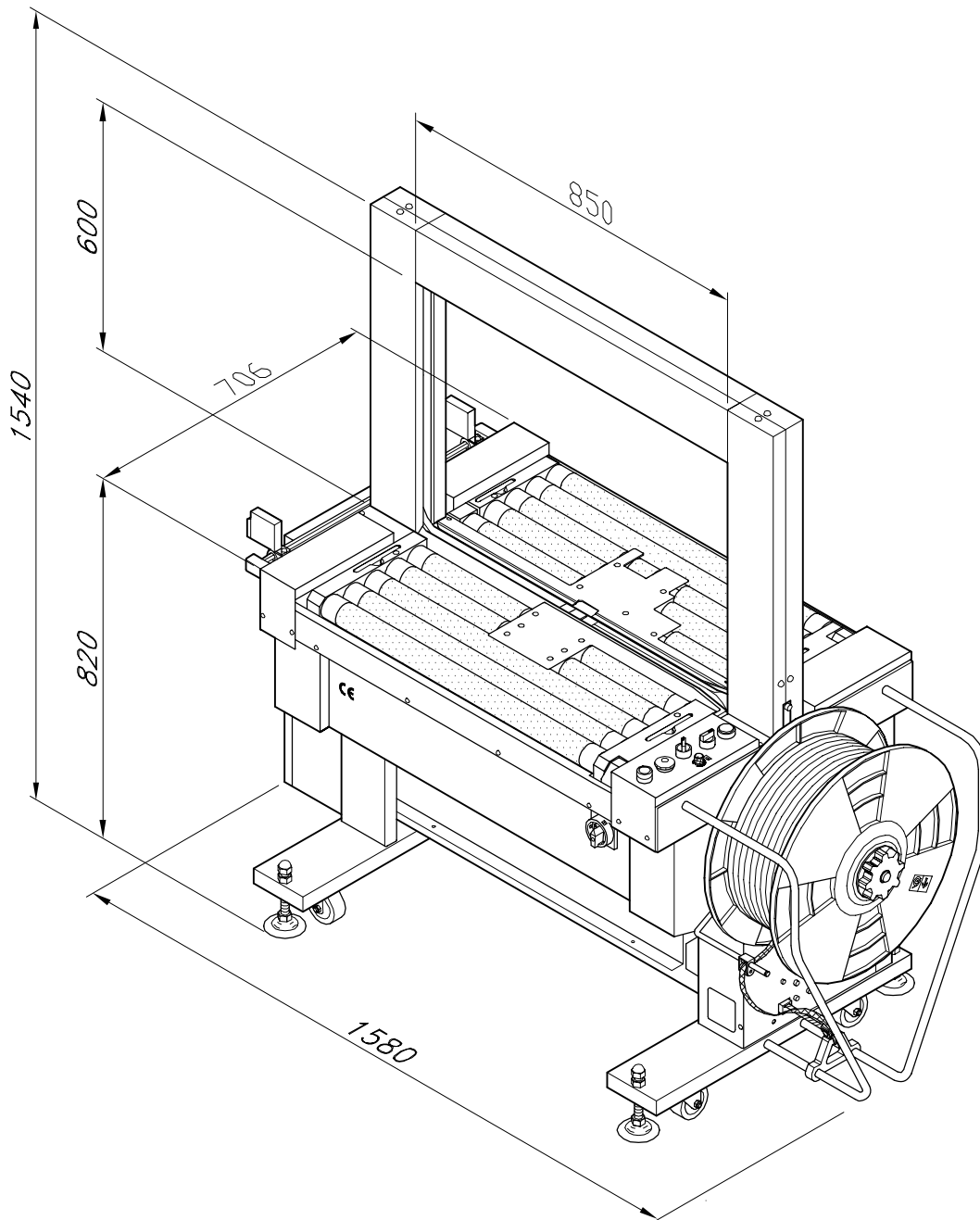
3 Accumulator unit

This unit accumulates the quantity of strap required for smooth feeding into the chute track.

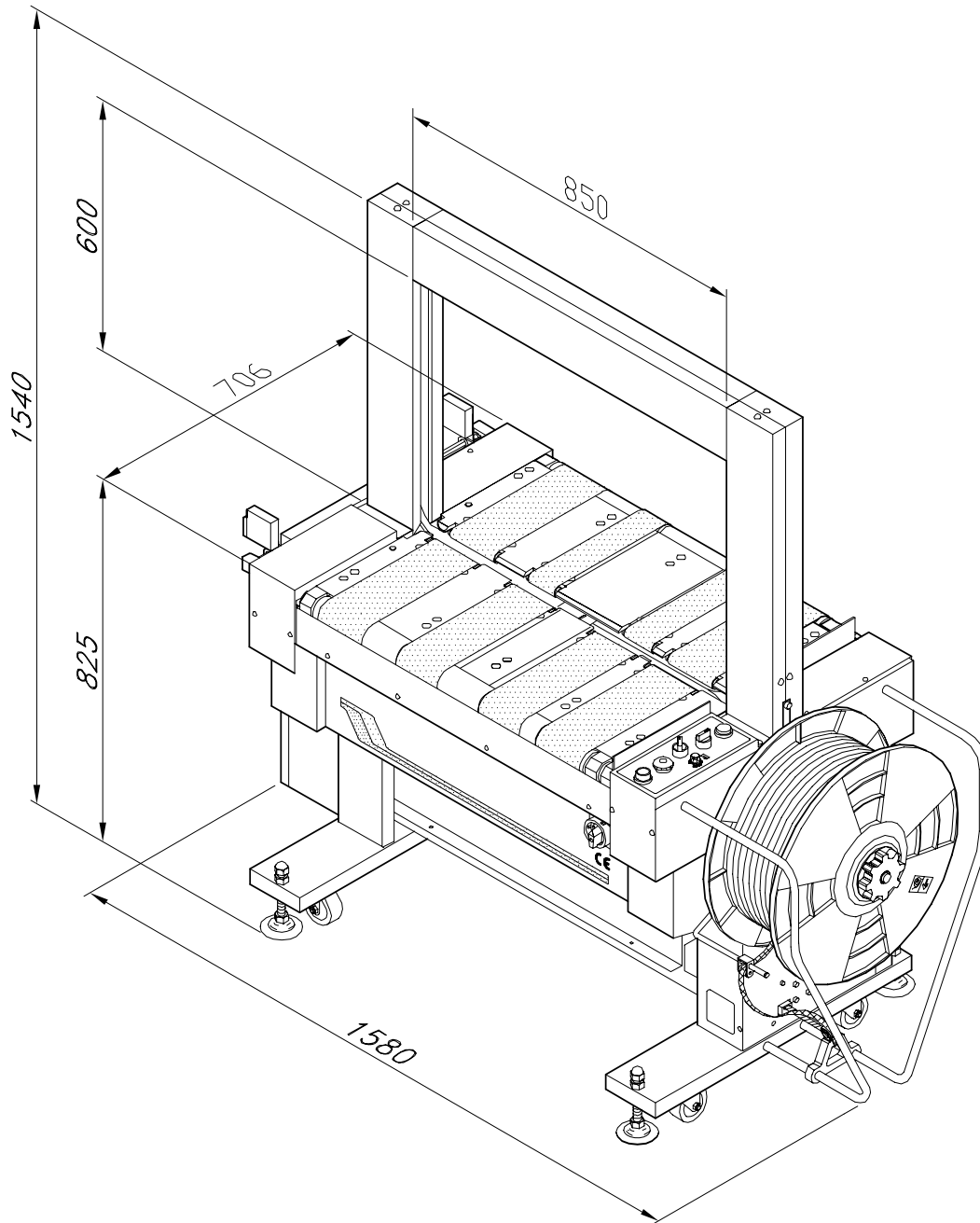


3. Technical Date

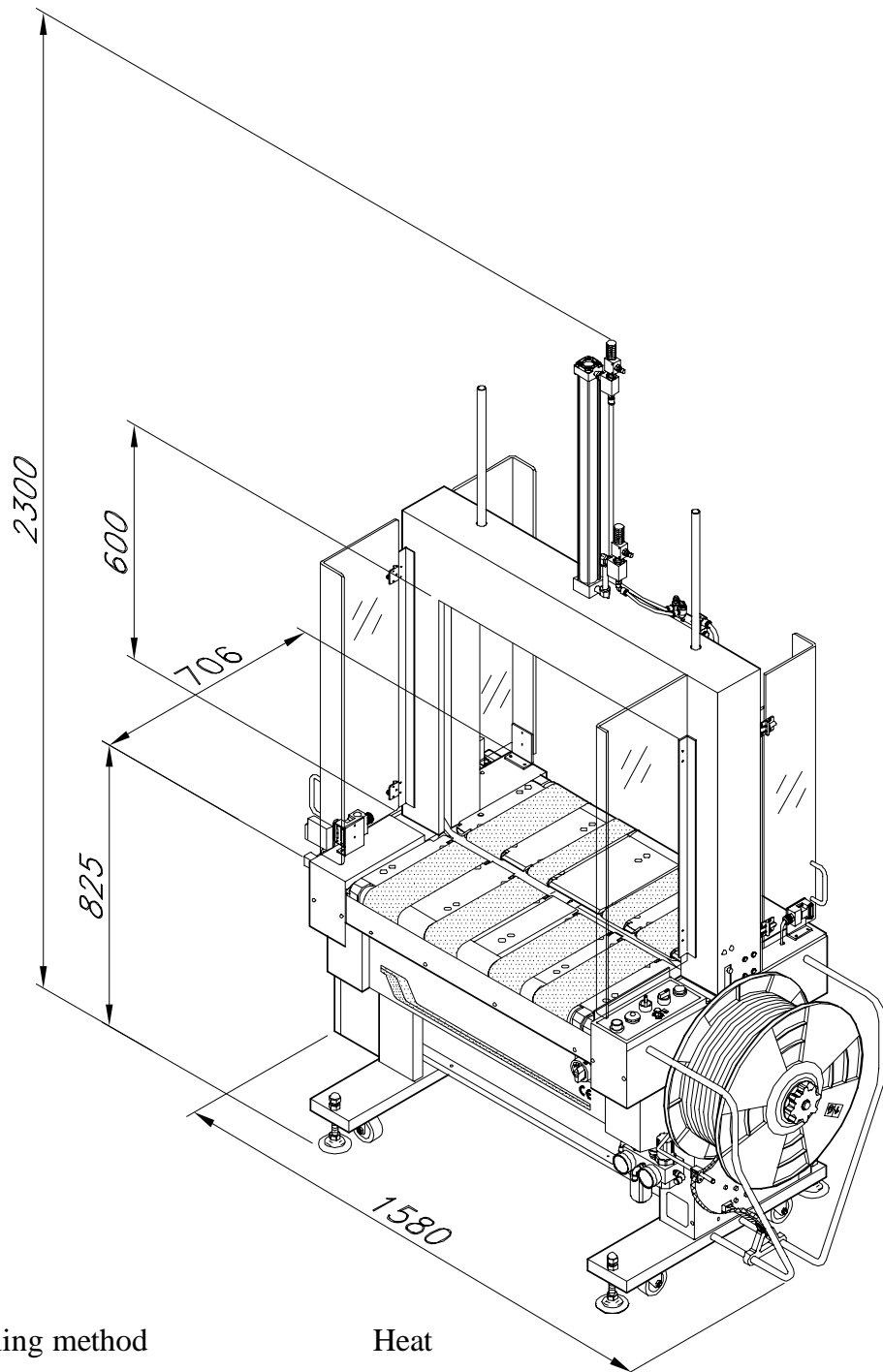
a. TP-601A



Sealing method	Heat
Strap width:	8 mm to 12 mm
Strap reel diameter:	200 mm (280mm OPTION)
Width :	1580 mm
Depth:	706 mm
Table height:	820 mm
Electrical connection:	AC 220V/380V/400V/415V, 3PH
Weight:	330 kg

b. TP-601B

Sealing method	Heat
Strap width:	8 mm to 12 mm
Strap reel diameter:	200 mm (280mm OPTION)
Width :	1580 mm
Depth:	706 mm
Table height:	825 mm
Electrical connection:	AC 220V/380V/400V/415V, 3PH
Weight:	330 kg

c. TP-601BP

Sealing method	Heat
Strap width:	8 mm to 12 mm
Strap reel diameter:	200 mm (280mm OPTION)
Width :	1580 mm
Depth:	706 mm
Table height:	825 mm
Electrical connection:	AC 220V/380V/400V/415V, 3PH
Weight:	347 kg

4. Control Panel

① Start Switch

This is the switch to start a strapping operation. A strapping cycle is completed only after actuation of this switch.

② Stop Switch

Push the stop switch in case of emergency. Simply push this the strapping operation stop switch to completely stop.

*Lock stop switch if strapping has to be interrupted for a short period of time. The machine will stop but the heater element will maintain its temperature. The machine will then be immediately ready for operation without need for warming-up of the heater element.

③ Reset Switch

This is the switch to activate auto strap feeding. In addition, it is used for troubleshooting. If the strap is mis-fed, you can push this button to solve the problem.

④ Auto/Hand/Transit Selector Switch

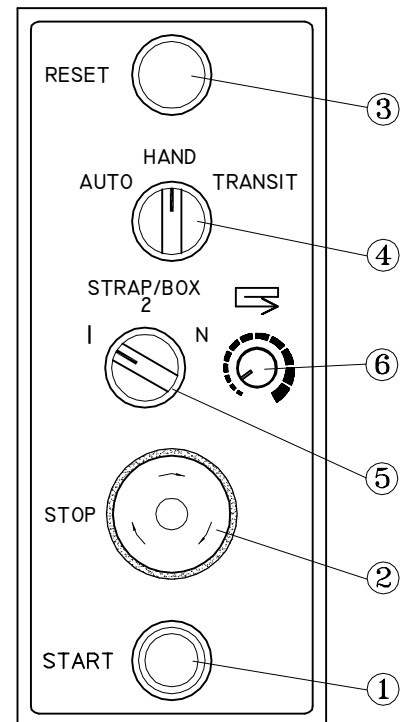
With the selector switch placed to HAND position, the table conveyors will stop running and the photo eyes will not be activated but the machine can strap if the start switch is activated. With the selector switch is turned to AUTO position, the table conveyor will run and the photo eyes are activated so that the machine will automatically strap the package when it passes below the arch. If the selector switch is turned to "TRANSIT", the package will be advanced without being strapped. (The conveyor rollers/belt will run but the photo eyes will not activated.)

⑤ Strap Selector Switch

This switch is used to select how many (1,2, or N) straps are required for each package.

⑥ Tension Adjustment Knob

External adjustment of strap tension by step-by-step rotation of this knob.

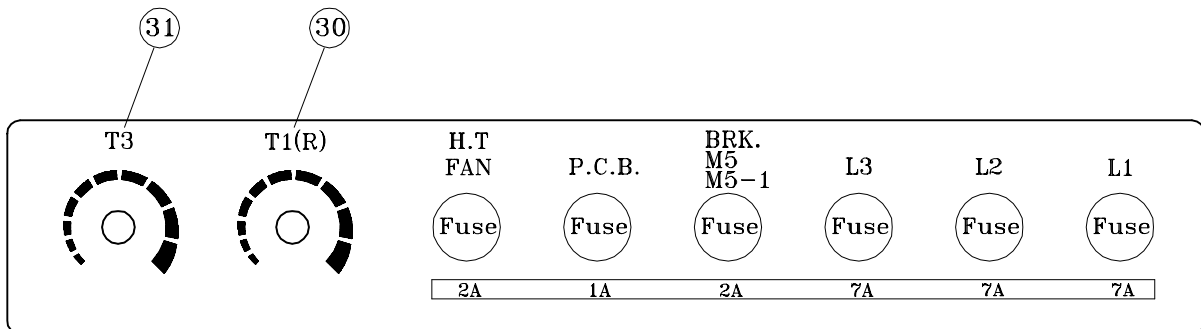


5. Electric Unit

Timer, T1 (30): T1 timer determines the time necessary for strap take-up. Set T1 timer bearing in mind the time required for strapping the minimum-size package. Normally, Timer T1 is set at about 0.5 seconds, but may have to be adjusted depending on arch size.

Timer, T3 (31):

When you set the machine so that it applies three straps per box, this timer defines when the second strap is to be applied. By adjusting this timer, you can make the time interval between application of the first/second and second/third straps identical.



5. Electric Unit

(OPTION For SIEMENS PLC)

33 Timer, T3 :

When you set the machine so that it applies three straps per box, this timer defines when the second strap is to be applied. By adjusting this timer, you can make the time interval between application of the first/second and second/third straps identical.

34 Strap After Press Bar Time

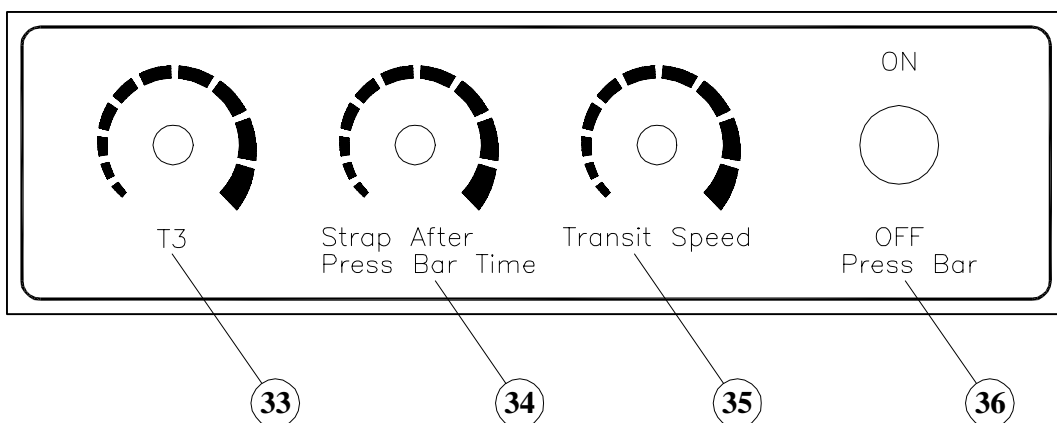
This is the timer for machine to strap package after press bar descends.

35 Transit Speed (OPTION)

External adjustment of transit speed by simple turn of a dial.

36 Press Bar ON/OFF

Bundle press function only when PRESS BAR selector is set at " ON".
Strapping without bundle press when PRESS BAR selector is set at " OFF".

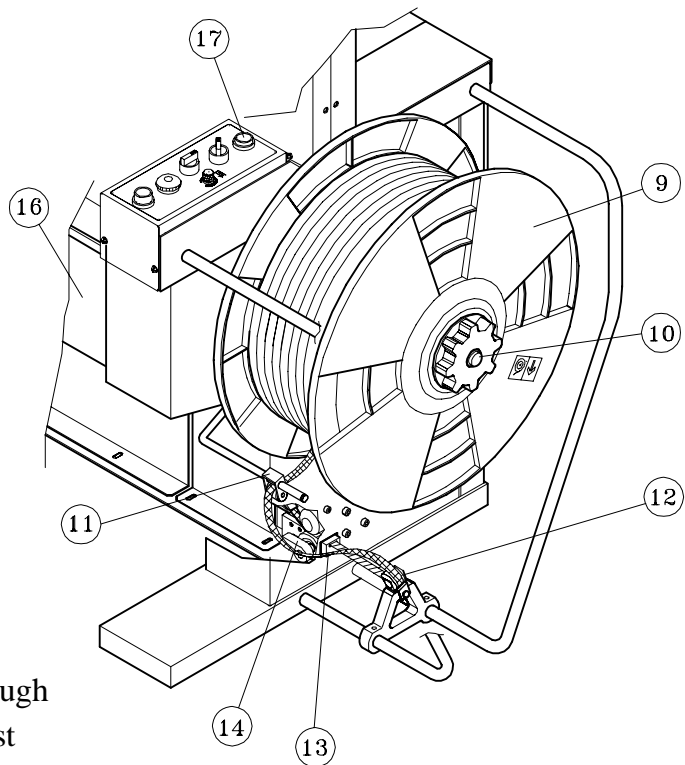


6. How to Load P.P. Strap

- **Ensure that the power switch is turned off before loading P.P. strap.**

Step 1

Place a strap coil on the reel drum in according to the arrow direction as indicated on the Reel Out Circular (9). After placing it, put the Reel Out Circular on the strap coil and tighten it by the Reel Nut Handle (10).



Step 2

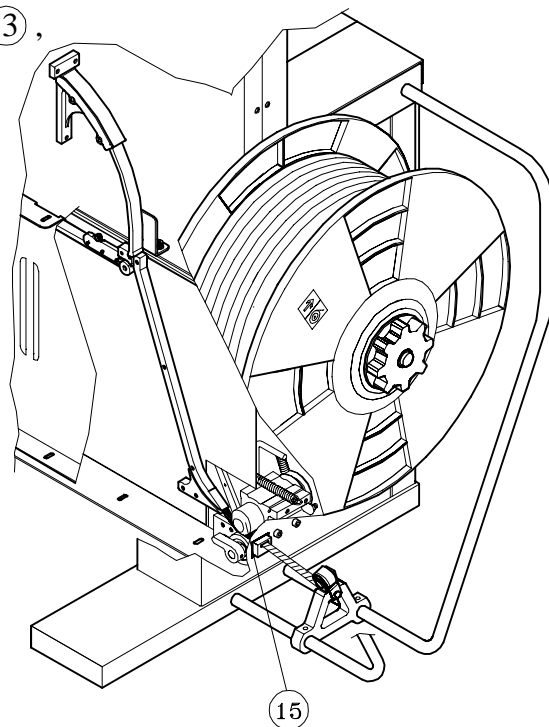
Thread the tip of P.P. strap into the Band Guide Roller (11). After that, push it through the Free Angle (12). At this moment, twist the strap so that the inside part of the P.P. strap turns out downward and outside surface touches on the roller. See the drawing.

Step 3

Insert P.P. strap into the Pool Feed Shooter (13), pushing the lever (14) down and feed P.P. strap about 1-2 cm beyond Pool roller (15).

Step 4

Turn on the power supply switch, and then push Reset Switch (17). After about 4 seconds, the strap will automatically go into the arch and pool.

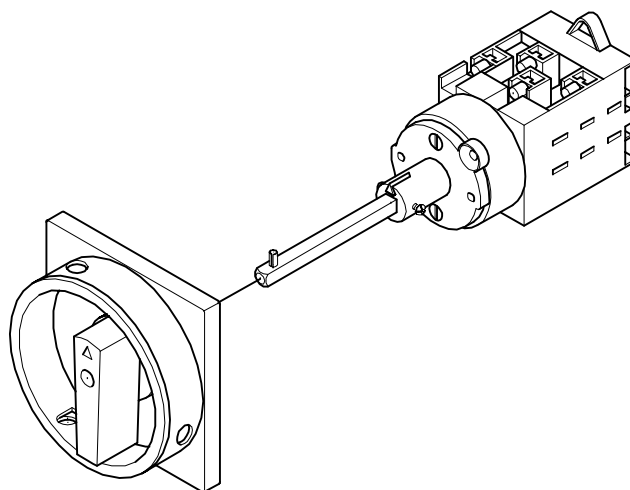


7. How to Operate

1. Turn on the switch (make a 90-degree clockwise turn). The front door will lock at the same time and the strap will be automatically fed into the accumulator box. If you want to open the front door, turn off the switch first (make a 90-degree counterclockwise turn).
The operator can now open the front door without risk. (See drawing below)
2. Wait for about 2 minutes until the heater element has reached its required operating temperature.
3. Switch to AUTO operation mode. Make the bundles line up in the middle of the conveyors. Let bundles pass the photo eyes of the machine and be strapped as the straps number setting one by one.
4. After operation, turn off the power supply switch.

8. Recommendations for Trouble-free Operation

1. Make sure to turn off the power supply switch, when maintenance and/or exchange of strap coil is required.
2. Pull the strap out of the Accumulator Box and rewind it on the Reel Unit to prevent cambering, if the machine will not be used for long periods of time.
3. In order to change the strap width, use the strap conversion kit which is sold as an option.
4. When the electric plug receptacle has to be changed, check the revolving direction of motor. (P12 NO. ⑮).
5. Always keep the machine clean, especially by removing dust and strap fluff in the vicinity of the sealing head and heater unit.
6. Do not use extension cords.

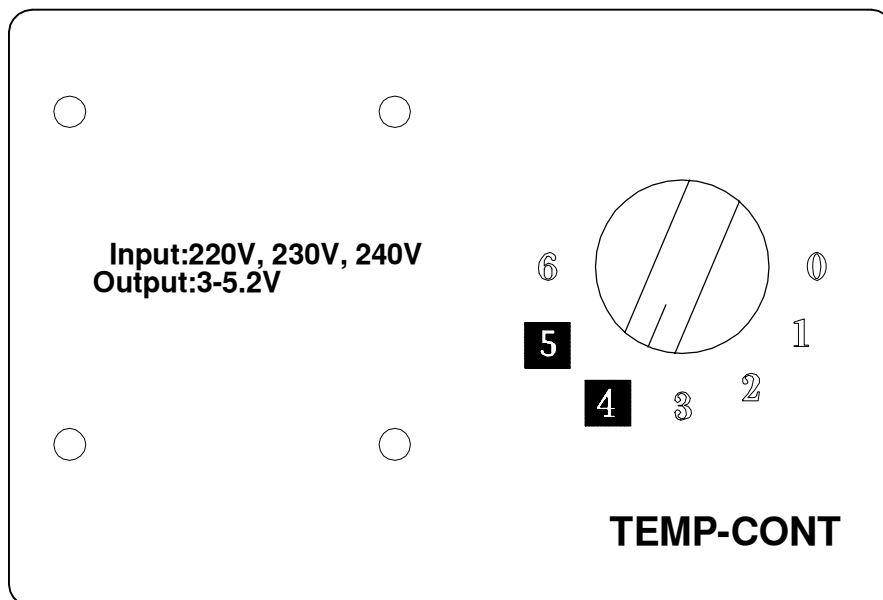


9. Adjustments

(1) Heater temperature

Set the knob to position 4 or 5

Adjust the heater temperature by selecting a value between 1 and 6. Choose the suitable temperature, bearing in mind the environmental conditions of the machine. If the heater temperature is too high or too low, a proper seal will not be obtained. Gradually increase or reduce the heater-knob value until obtaining an optimum seal.

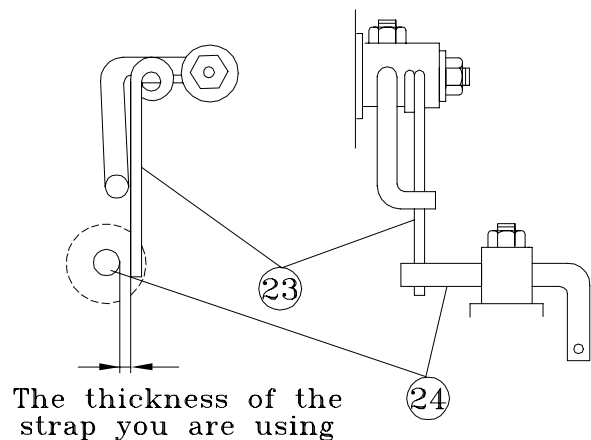
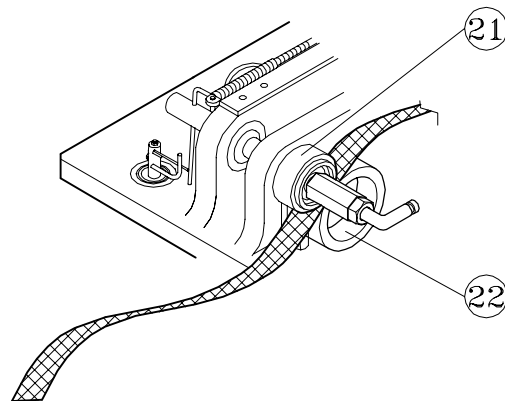
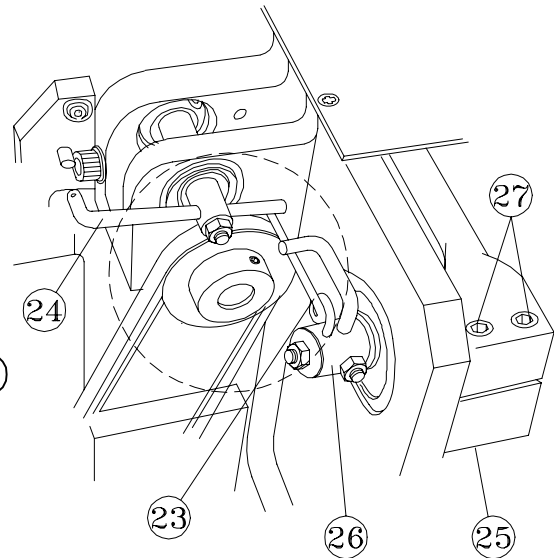


(2) Feed and take-up mechanism

If this unit is not correctly adjusted, strap feed and take-up will become irregular.

Normally, this unit is set to accept P.P. strap with the thicknesses of 0.55mm-0.75mm
 If a different strap thickness is used, adjust the section marked by a circle in the drawing so that the clearance between the Upper Roller Spring (23) and the Upper Shaft Spring Hook (24) should be the thickness of the strap you are using. Strap can only be taken up properly if this unit is precisely adjusted. (If not, strap will be sealed before being tightened around the package) Moreover, strap will leave the chute arch track when feeding into it if there is no clearance.

1. Check if the control unit returns to its original position. Insert the strap between Feed Roller (22) and Upper Feed Roller (21) .
2. Loosen 2 Bolts (27) holding the right-hand Block Arm (25) with the Press Arm Shaft (26) . Press Arm Shaft can then easily be moved by hand.
3. Adjust so that there is a clearance between the Upper Roller Spring (23) and the Upper Shaft Spring Hook (24) the same as the thickness of the strap you are using.
4. Tighten 2 Bolts (27) .



(3) How to adjust LS3, LS2

Figure 1: LS-3 Home Position

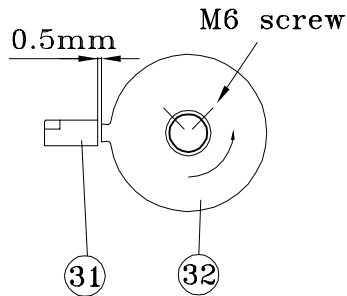


Figure 1-1

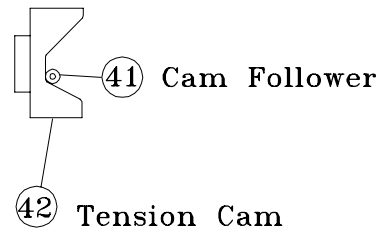


Figure 2: LS-2

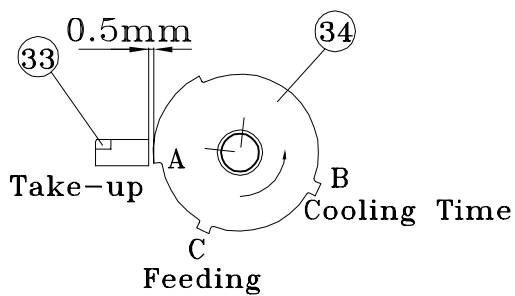


Figure 2-1

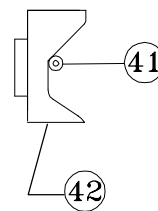


Figure 1 shows the correct position for LS3 Proximity Sensor (31) and the Limit Switch Cam (32) while the machine is in home position.

The machine will stop as soon as the LS3 Proximity Sensor (31) detects that Limit Switch Cam (32) is activated. At this time, the Cam Follower (41) must stop at the corner position on the Tension Cam (42) as shown in **figure 1-1**. If not, please adjust according to the following instructions.

Adjustment

If Cam Follower (41) stops *before* the correct position:

1. Loosen the two M6 screws and turn the Cam Roller slightly clockwise, then tighten the M6 screws.
2. Reset the machine and allow it to cycle again to ensure that the Cam Follower (41) stops at the correct position.
3. If the problem has not been eliminated, please repeat the "Step One" until the Cam Follower (41) stops at the correct position.

If Cam Follower ④① stops beyond the correct position:

- a. Please also loosen the M6 screws but turn the Cam Roller slightly counterclockwise until the Cam Follower ④① stops at the correct position.

Figure 2 shows the correct position for LS2 Proximity Sensor ③③ against the lobes of the Limit Switch Cam ③④ while machine is running.

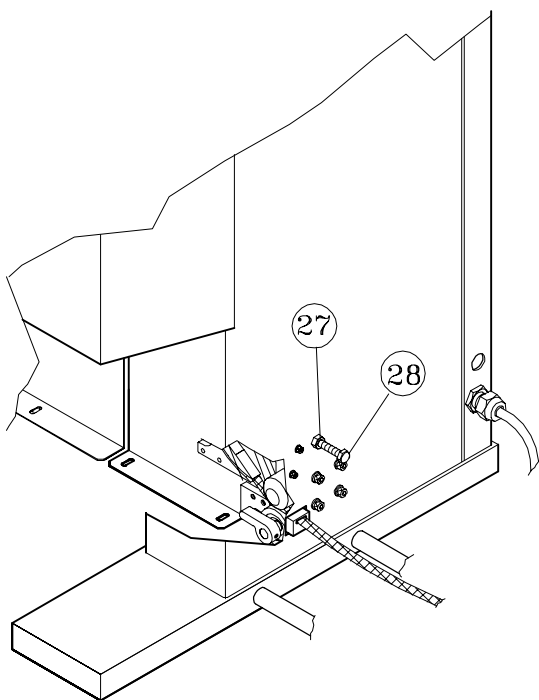
When LS2 Proximity Sensor ③③ detects Lobe A of the activated running Limit Switch Cam ③④, the machine will stop about 0.3 seconds so that the machine can switch to take-up. In the meantime, Cam Follower ④① has to stay on the corner position of the Tension Cam ④② as shown in figure 2-1. If the Cam Follower is not at the correct position, please make the same adjustment as for LS3.

(4) Amount of strap in Accumulator Box

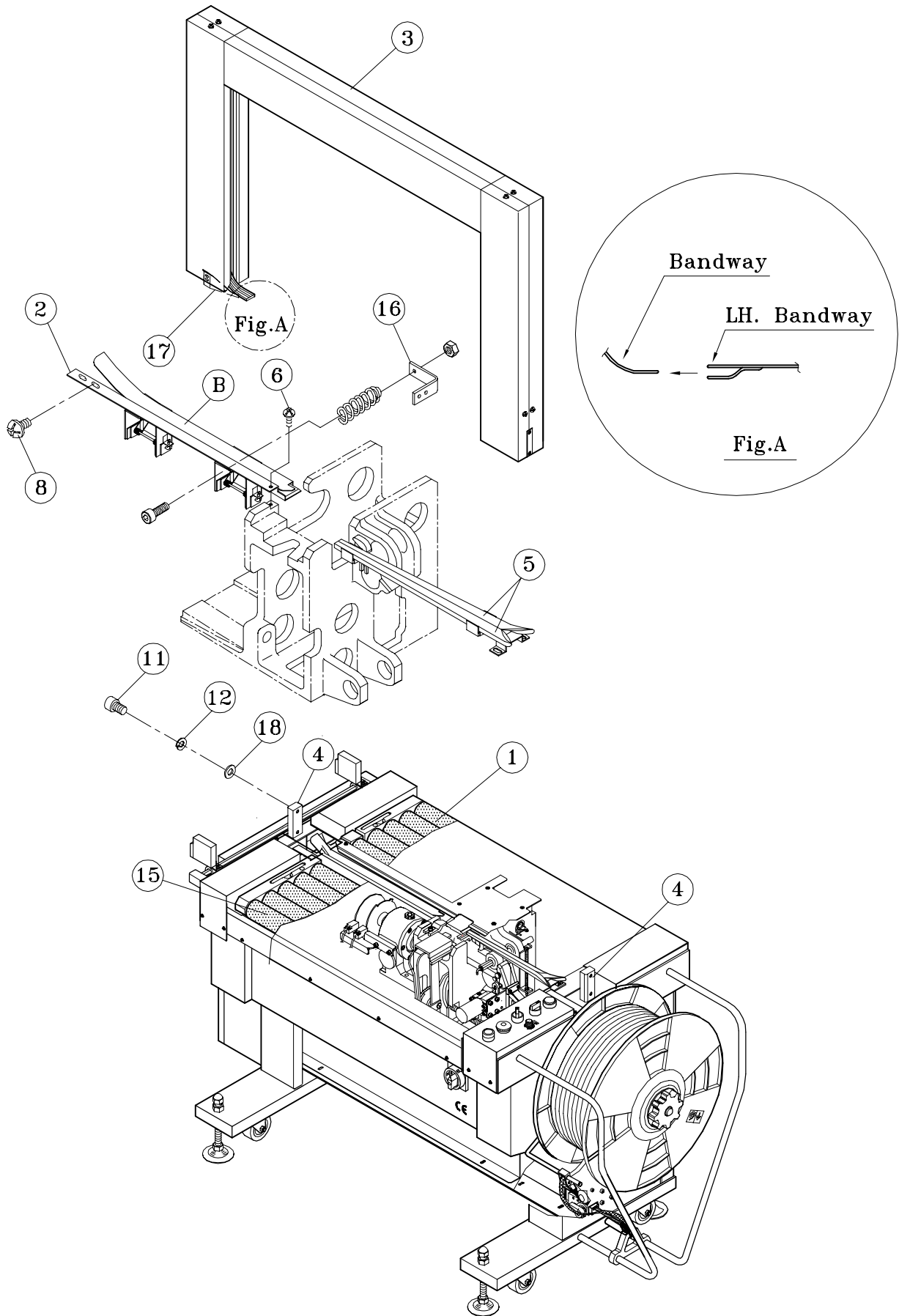
The machine has already been set in its Accumulator Box.

However, some adjustment may be required, depending on the actual quality or thickness of the strap used. If adjustment is necessary, proceed as shown in the following drawing.

- a. In case that there is an insufficient amount of strap in the Accumulator Box, loosen the Nut (27) and turn the Screw Bolt (28) counterclockwise.
- b. In case that there is an excessive amount of strap in the Accumulator Box, loosen the Nut (27) and turn the Screw Bolt (28) clockwise.



10. Installation of Arch Unit



10. Installation of Arch Unit

(1) Open the Roller table ①, ⑮.

(2) Take the LH bandway ② off.

⑥ TMS, M5x8 1PC

⑪ HBS, M8x15 4PC

⑱ PW, M8 (A) 4PC

⑧ TMS, M6x8 2PC

⑫ SW, M8 4PC

(3) Slide the the arch unit ③ into the fixing brackets ④ and fix both sides of the arch frame with ⑪ ⑫ ⑱.

* Please note that is imperative to open the flaps of RH bandway ⑤ to protect them when installing the arch unit in. (open the flaps, before inserting the arch unit in)

(4) Set the LH bandway ②, with ⑥ and ⑧.

a. Please note that the arch bandway (refer Fig. A) should be positioned between LH bandway and its fixing bracket.

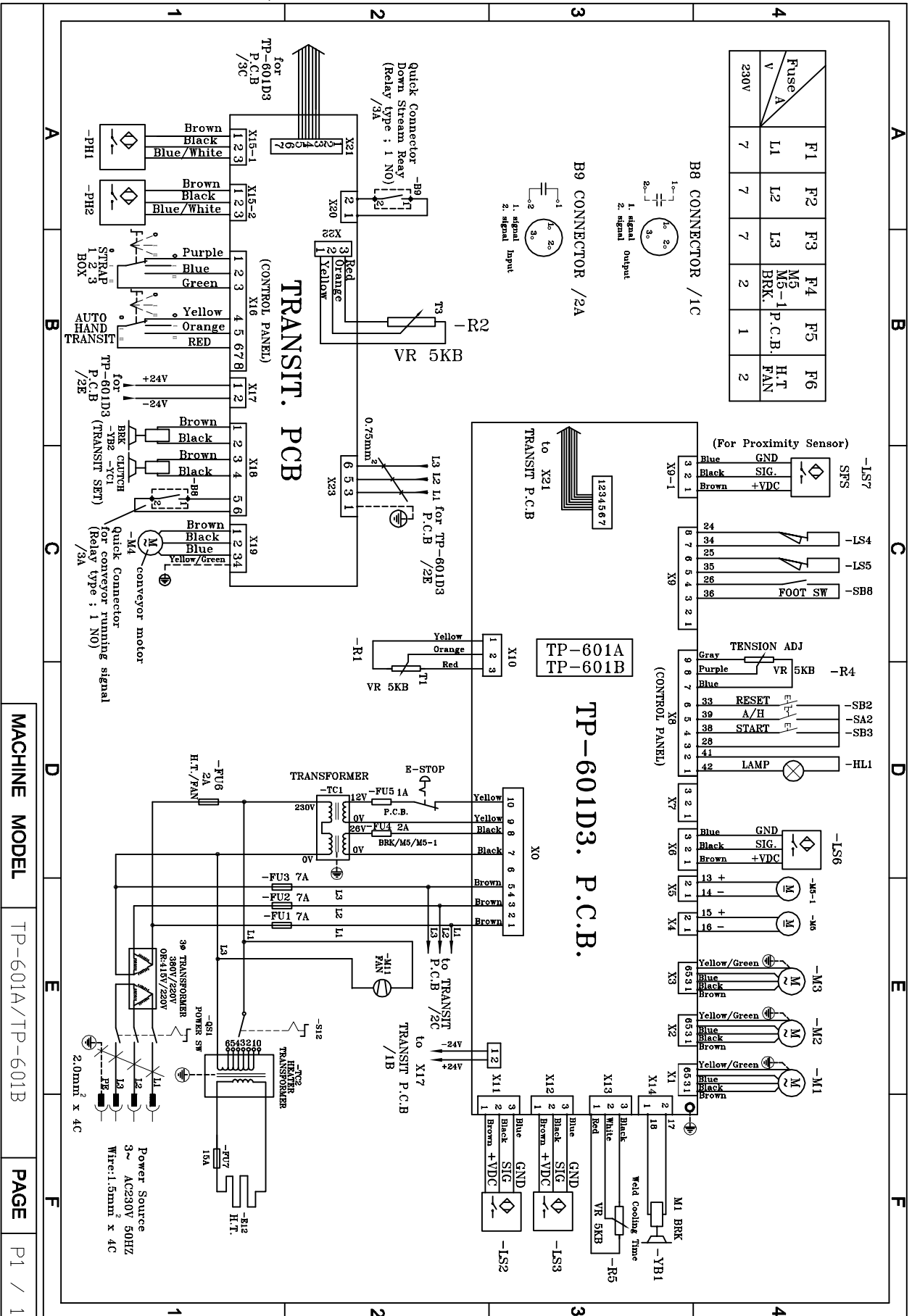
b. Please set the LH bandway ② closely to ⑰ corner guide (PART NO. T6-2-21260).

c. Push the ⑰ Band guide Spring Bracket backward to check if B will be automatically turned open. If so, the installation is OK.

(5) Position the upper table ① ⑮ onto the machine body.

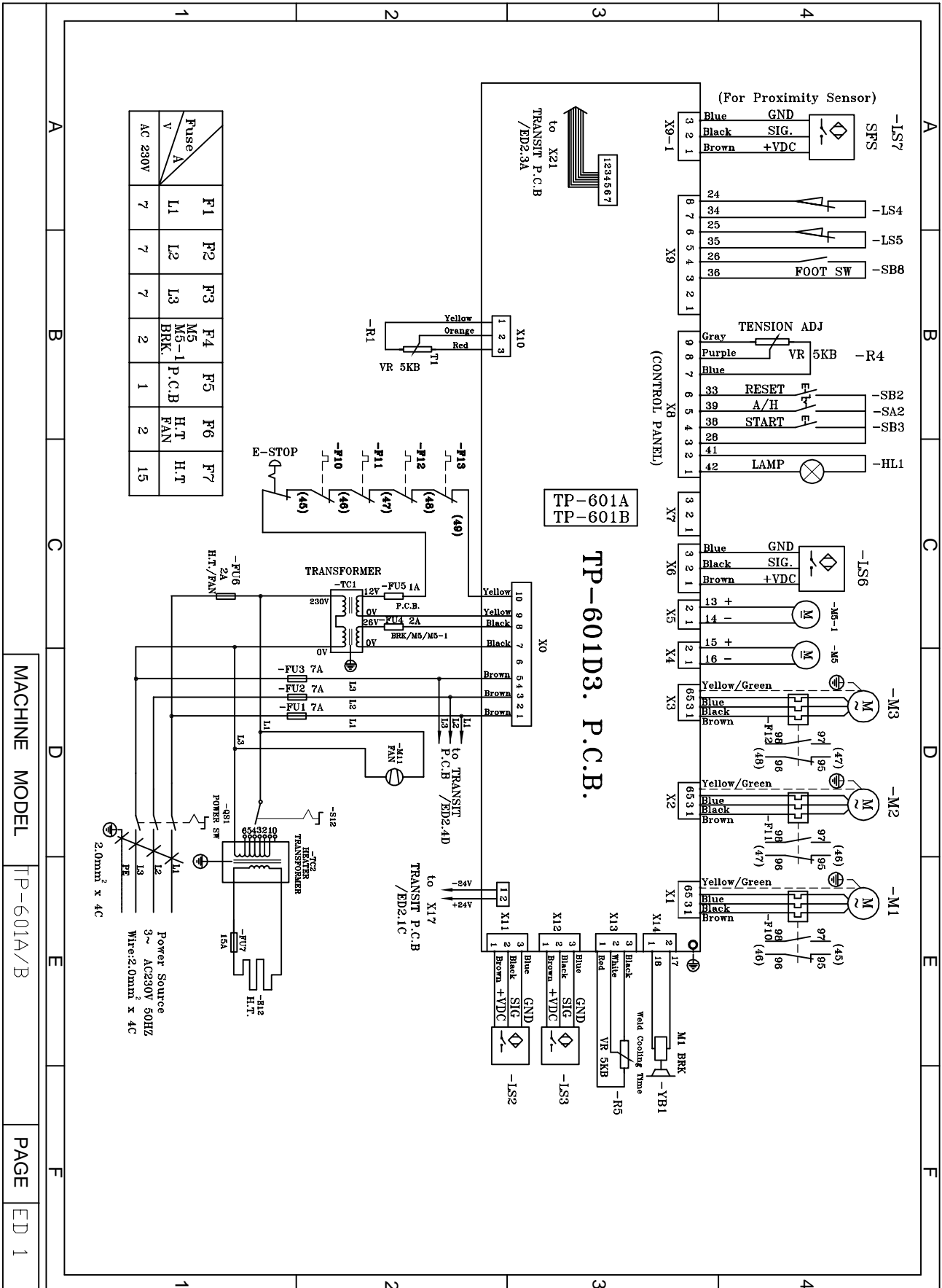
11. Wiring Diagram

a. For TP-601A, TP-601B



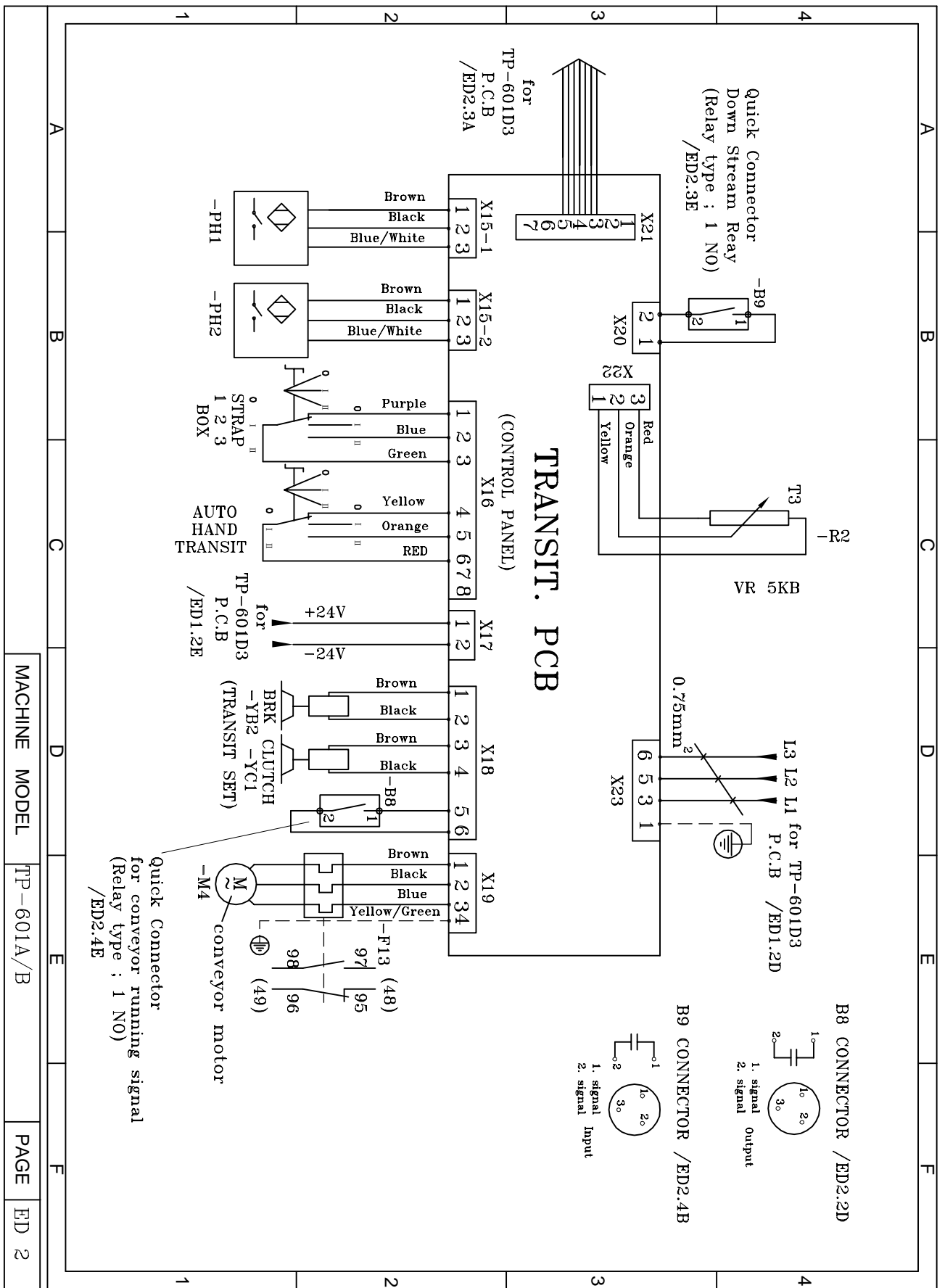
11. Wiring Diagram

a. For TP-601A, TP-601B (For CSA)



11. Wiring Diagram

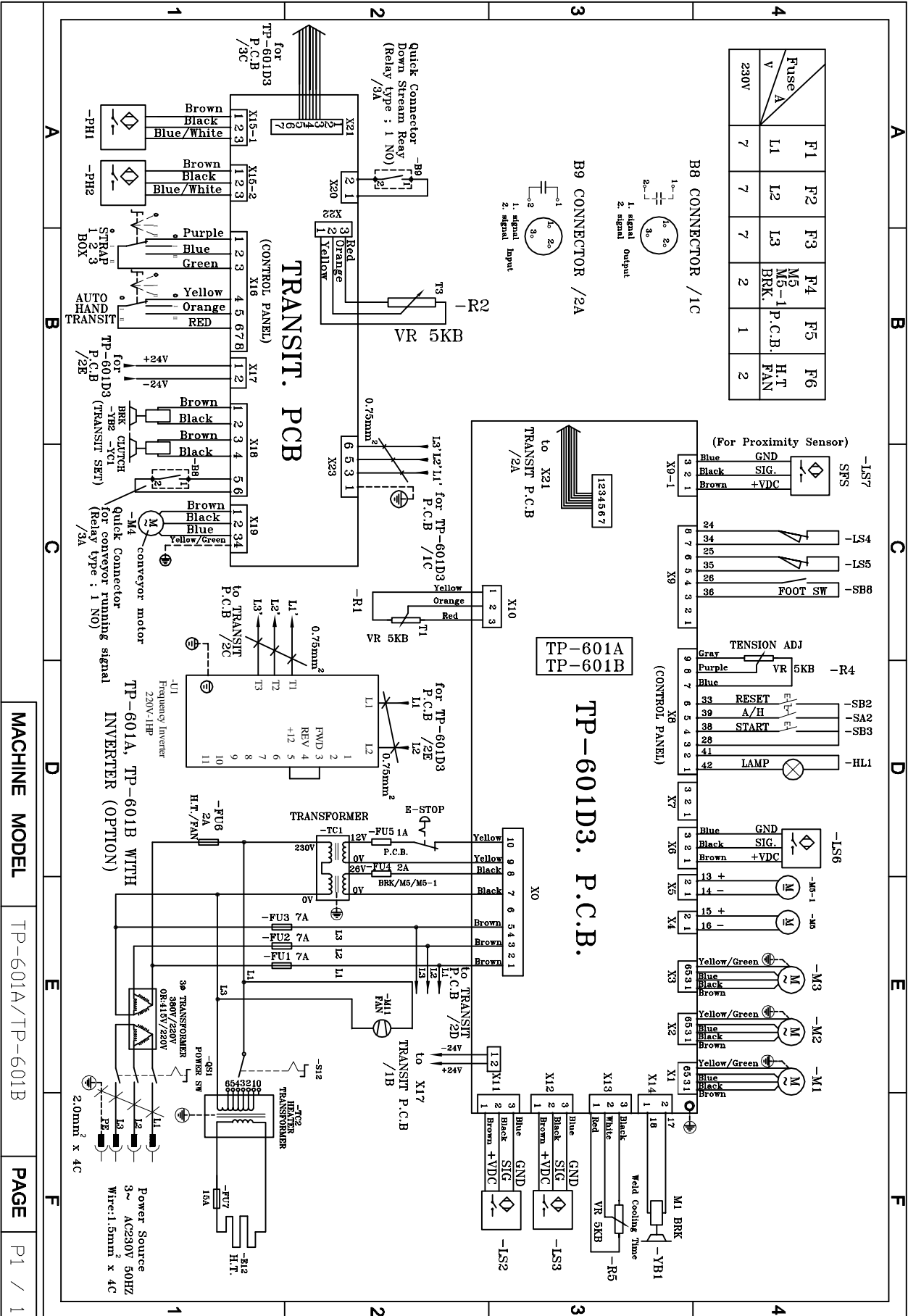
a. For TP-601A, TP-601B (For CSA)



MACHINE MODEL TP-601A/B PAGE ED 2

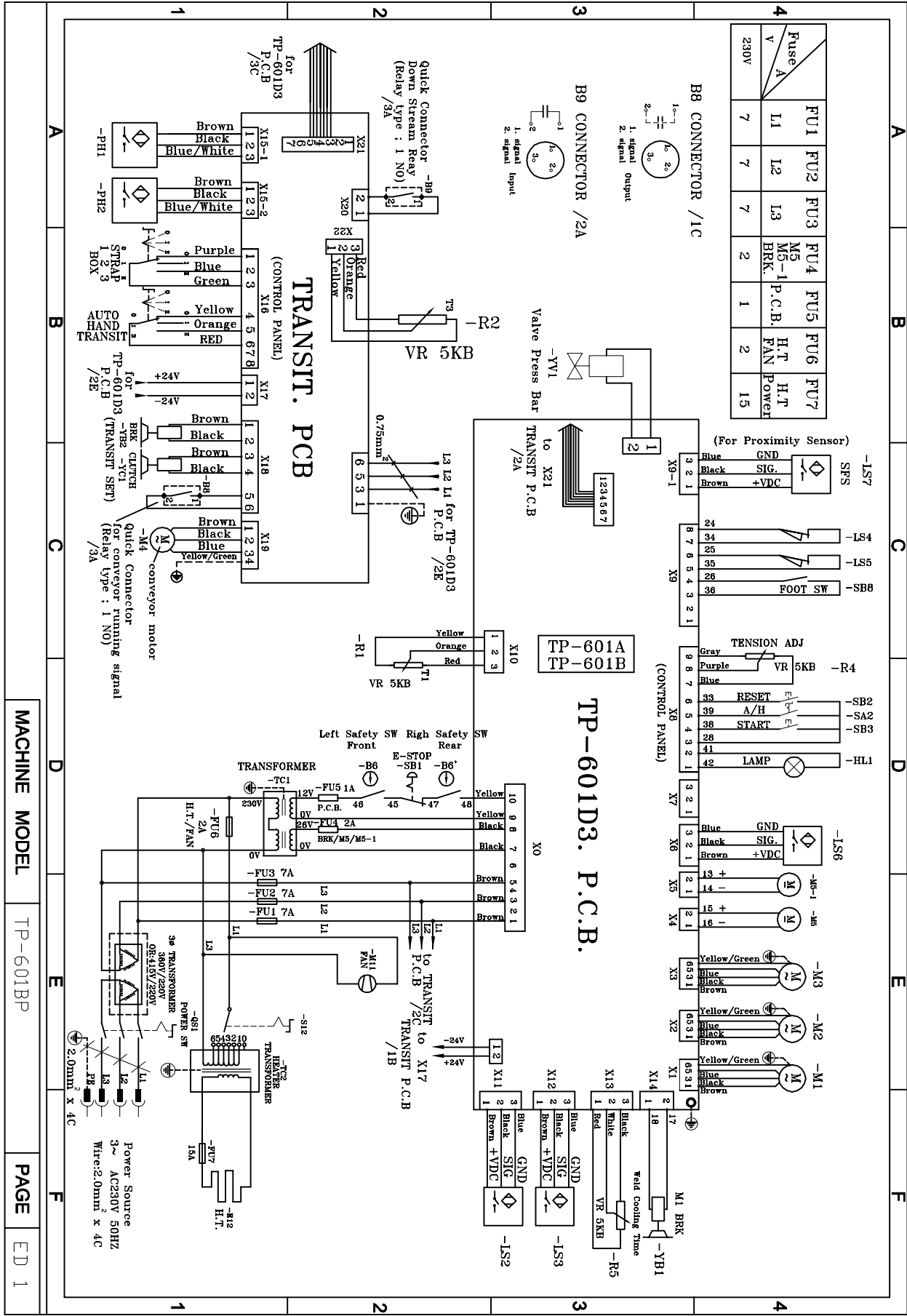
11. Wiring Diagram

a. For TP-601A, TP-601B

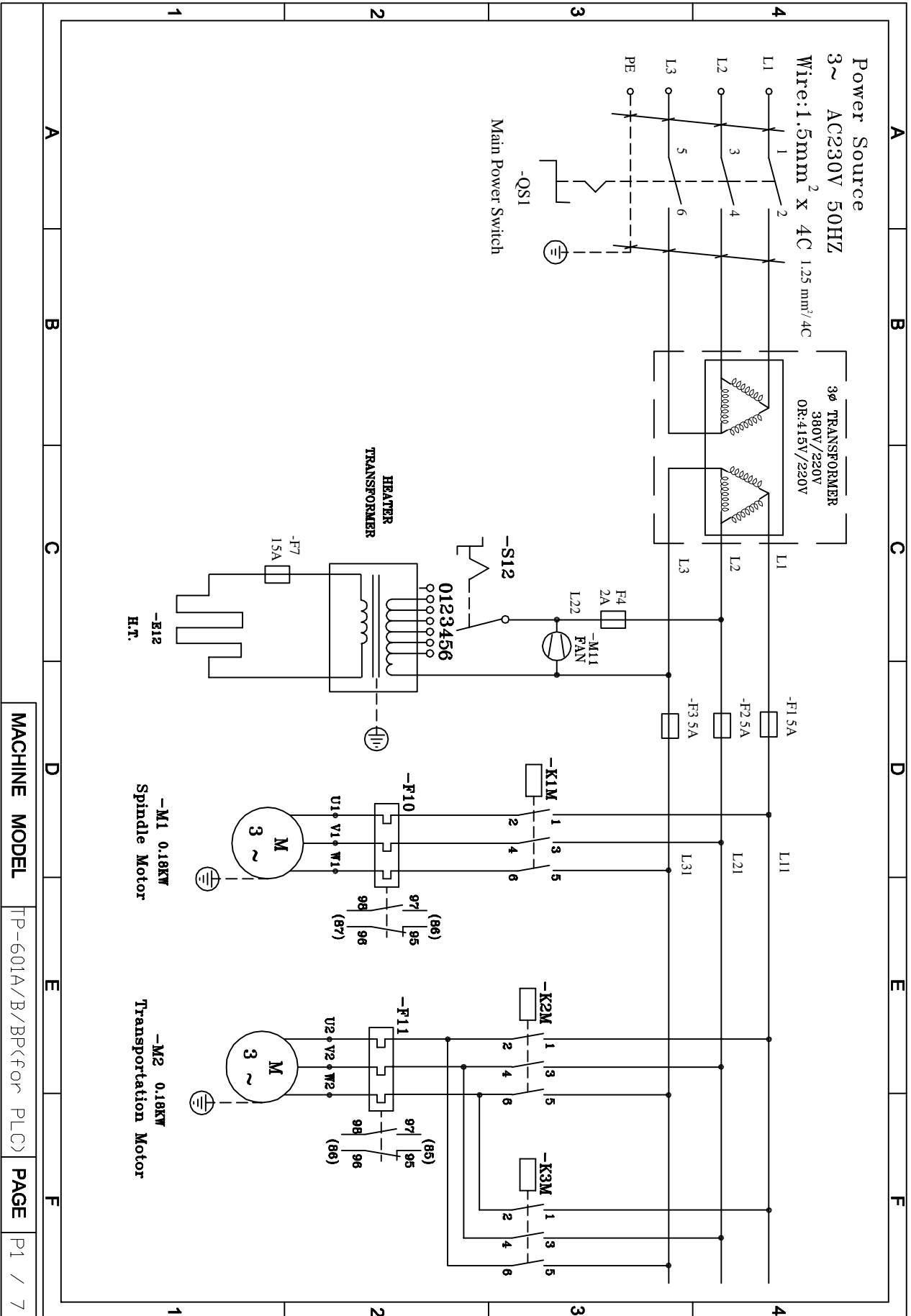


11. Wiring Diagram

b. For TP-601BP



11. Wiring Diagram (OPTION For SIEMENS PLC)



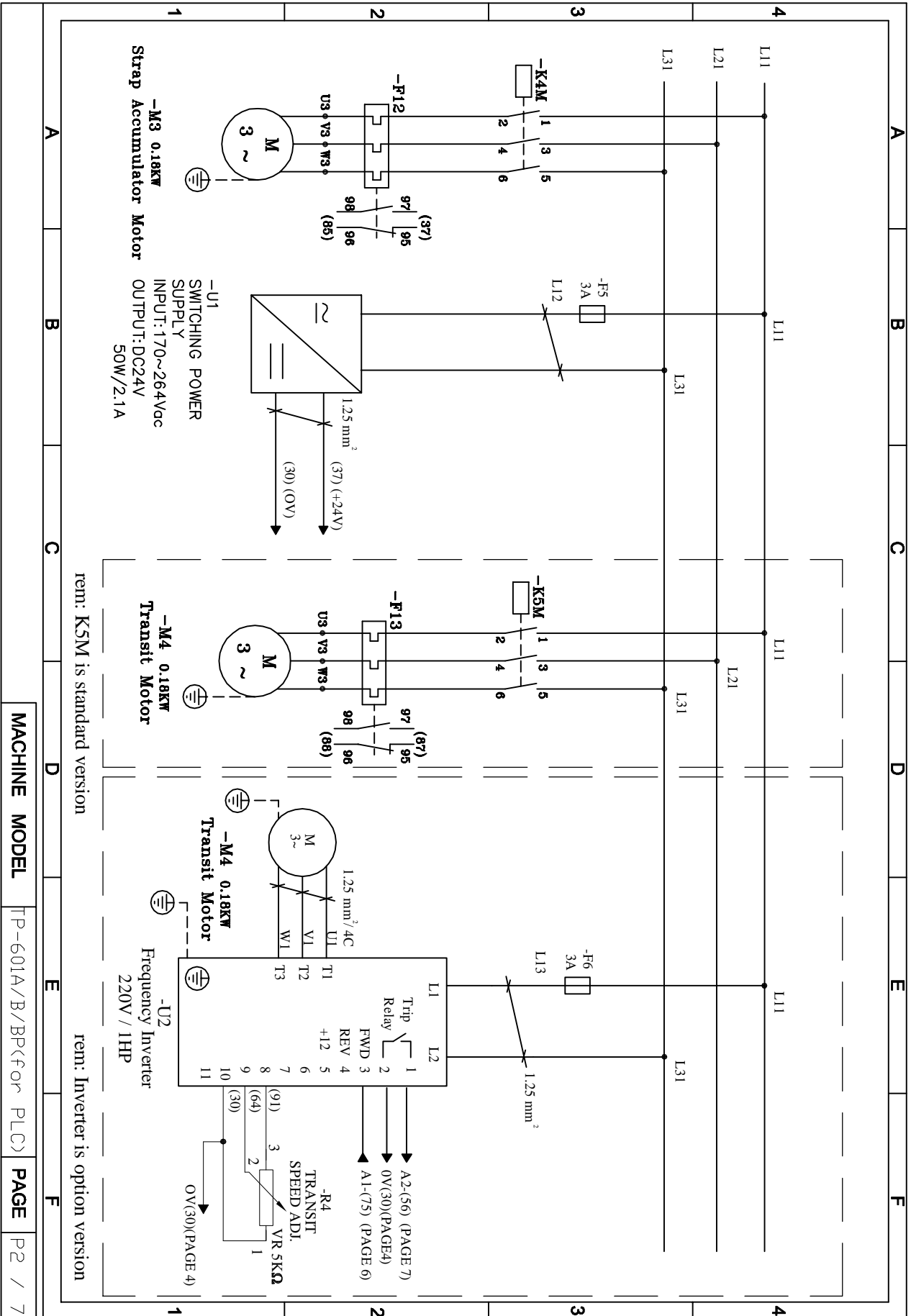
MACHINE MODEL

TP-601A/B/BP(for PLC)

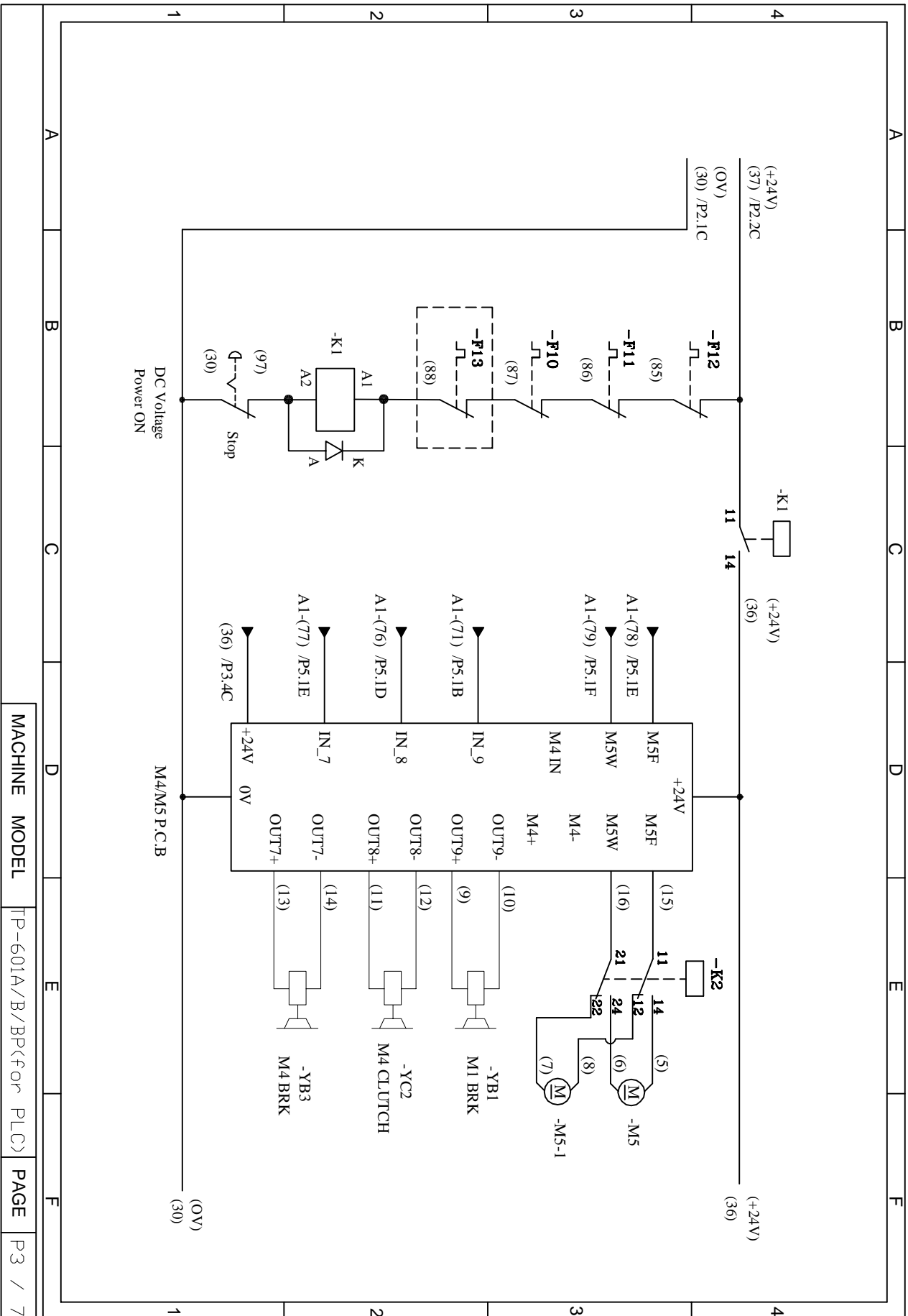
PAGE

P1 / 7

11. Wiring Diagram (OPTION For SIEMENS PLC)

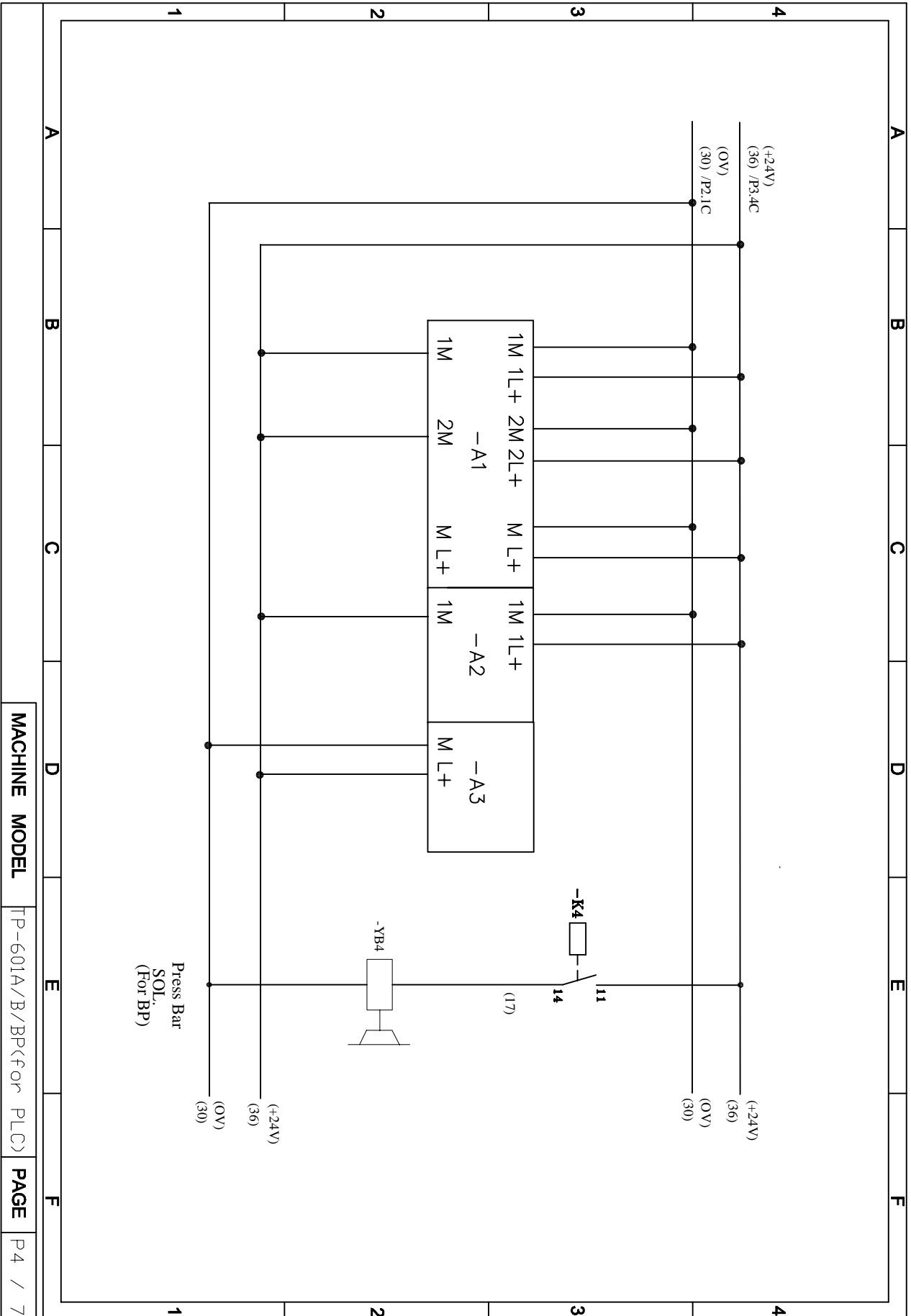


11. Wiring Diagram (OPTION For SIEMENS PLC)



MACHINE MODEL TP-601A/B/BP(for PLC) PAGE P3 / 7

11. Wiring Diagram (OPTION For SIEMENS PLC)



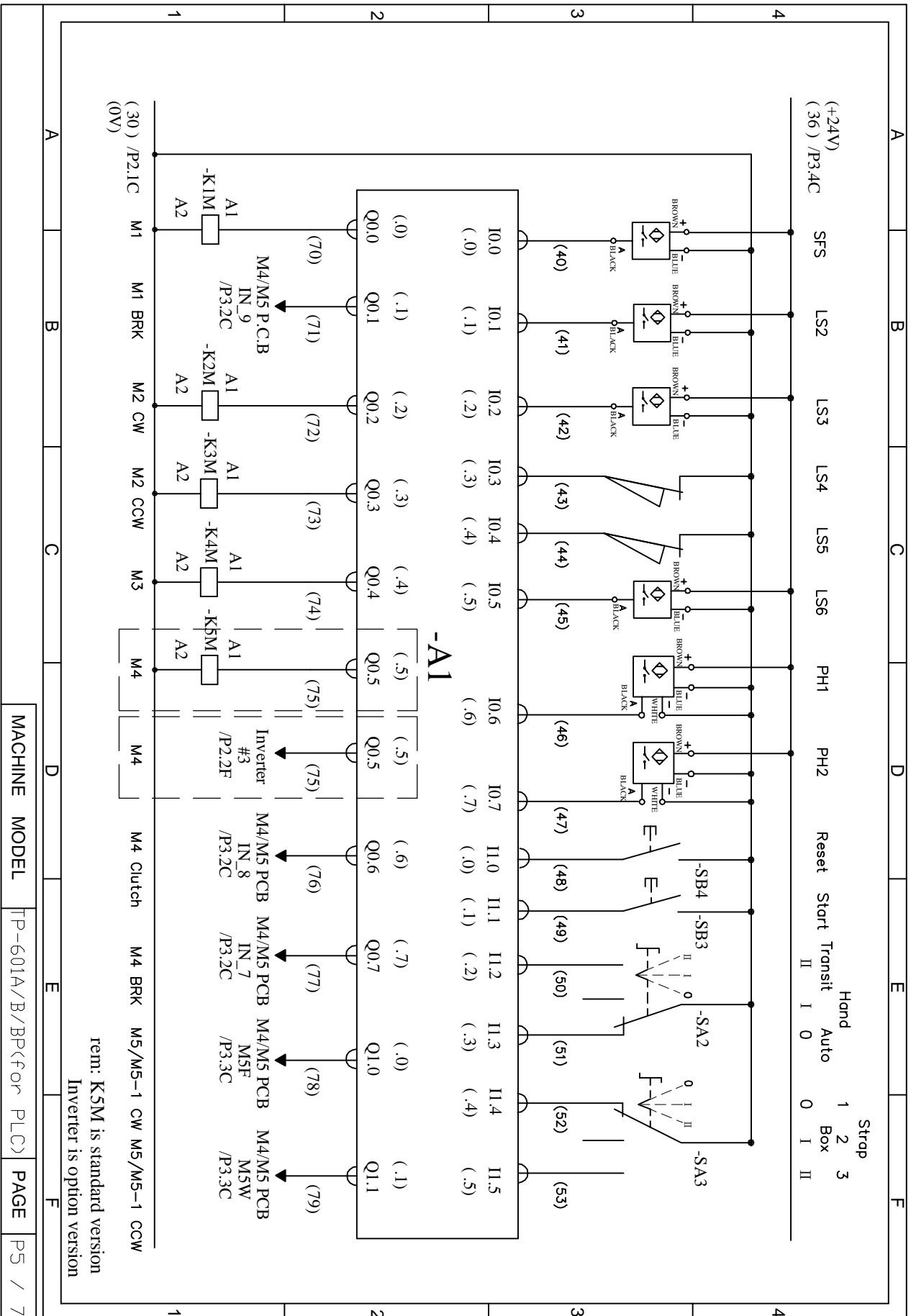
MACHINE MODEL

TP-601A/B/BP(for PLC)

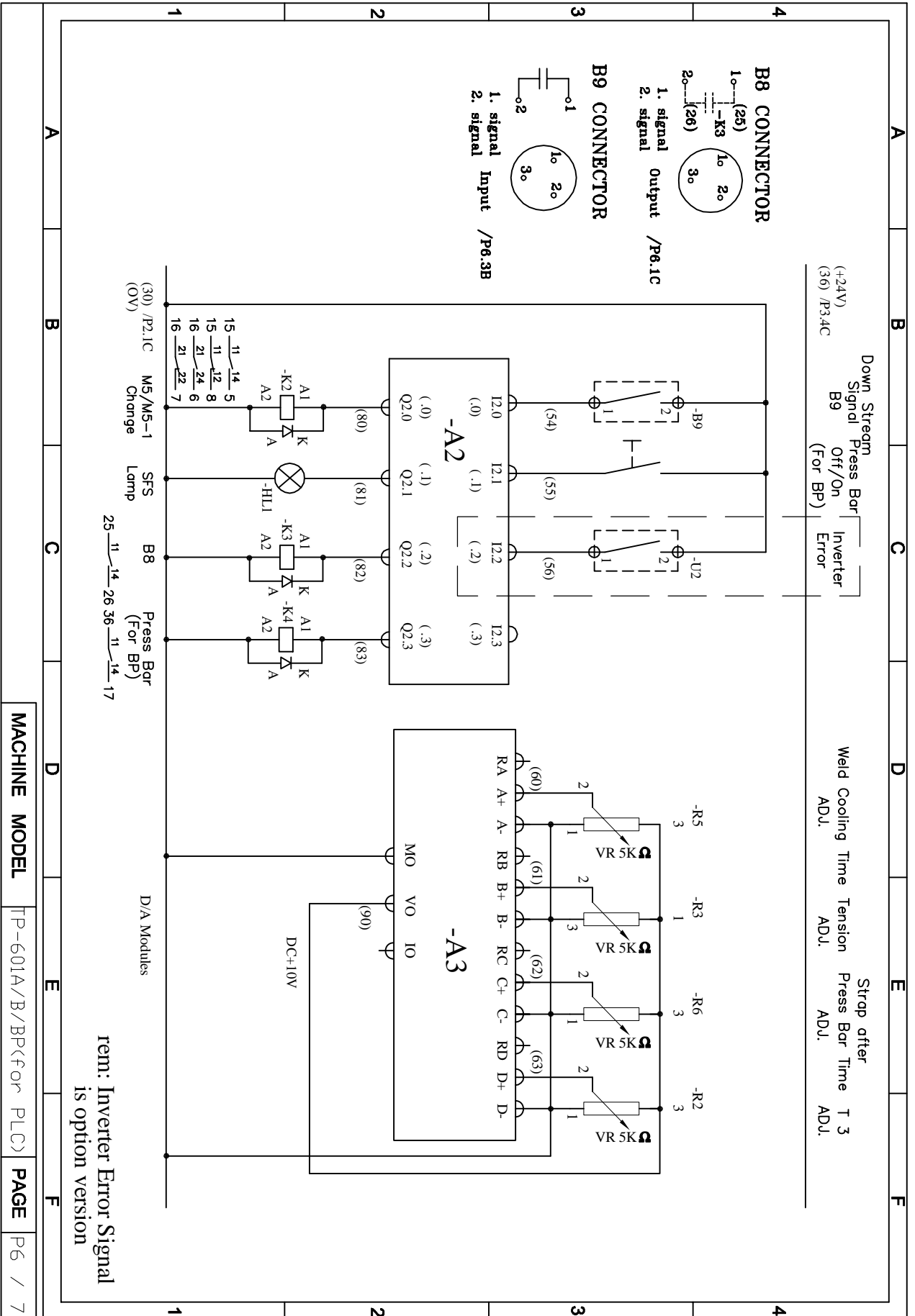
PAGE

P4 / 7

11. Wiring Diagram (OPTION For SIEMENS PLC)

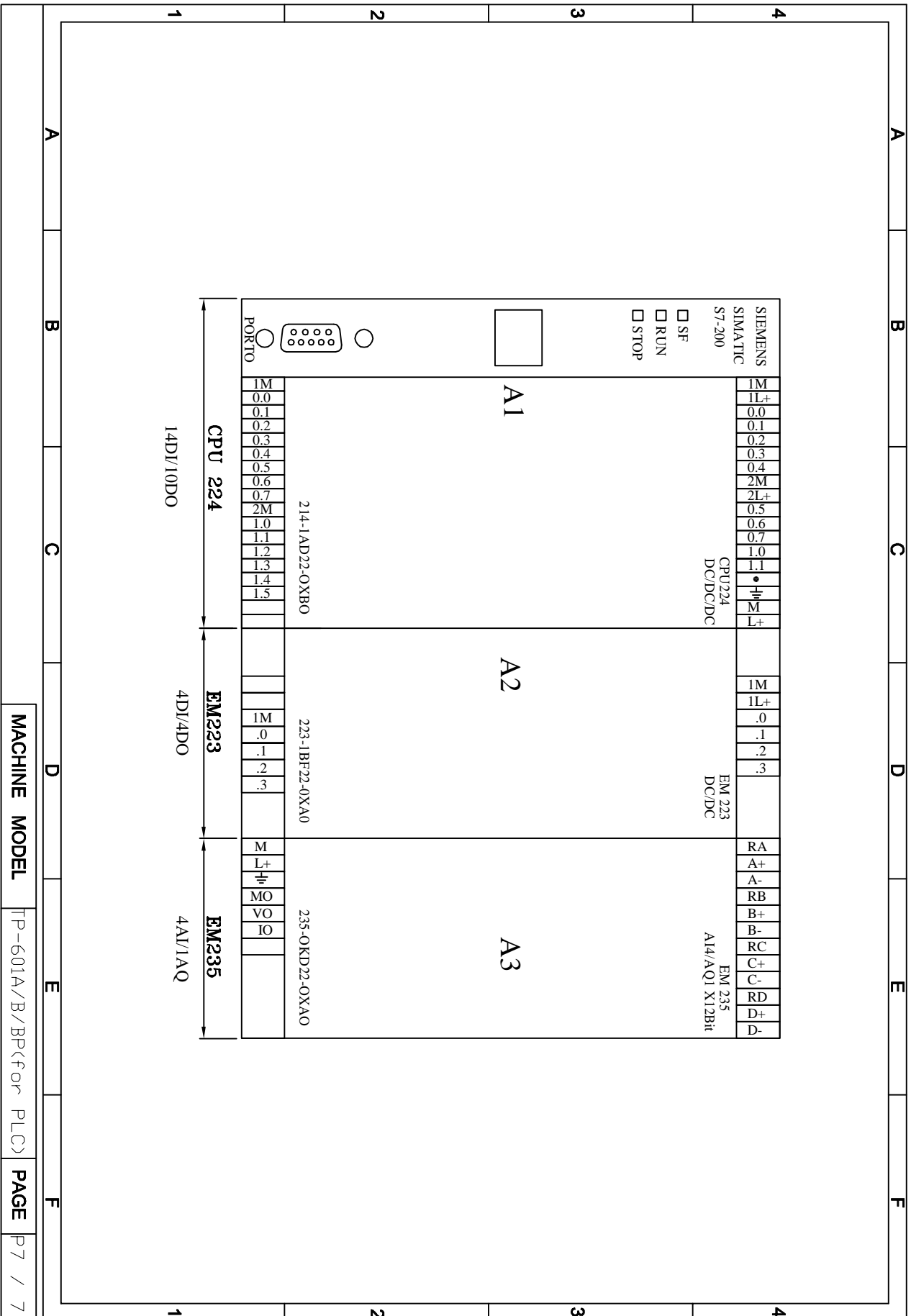


11. Wiring Diagram (OPTION For SIEMENS PLC)



MACHINE MODEL TP-601A/B/BP(for PLC) PAGE P6 / 7

11. Wiring Diagram (OPTION For SIEMENS PLC)



MACHINE MODEL TP-601A/B/BP(for PLC) PAGE P7 / 7

12. Inverter Parameters Setup

(OPTION For SIEMENS PLC)

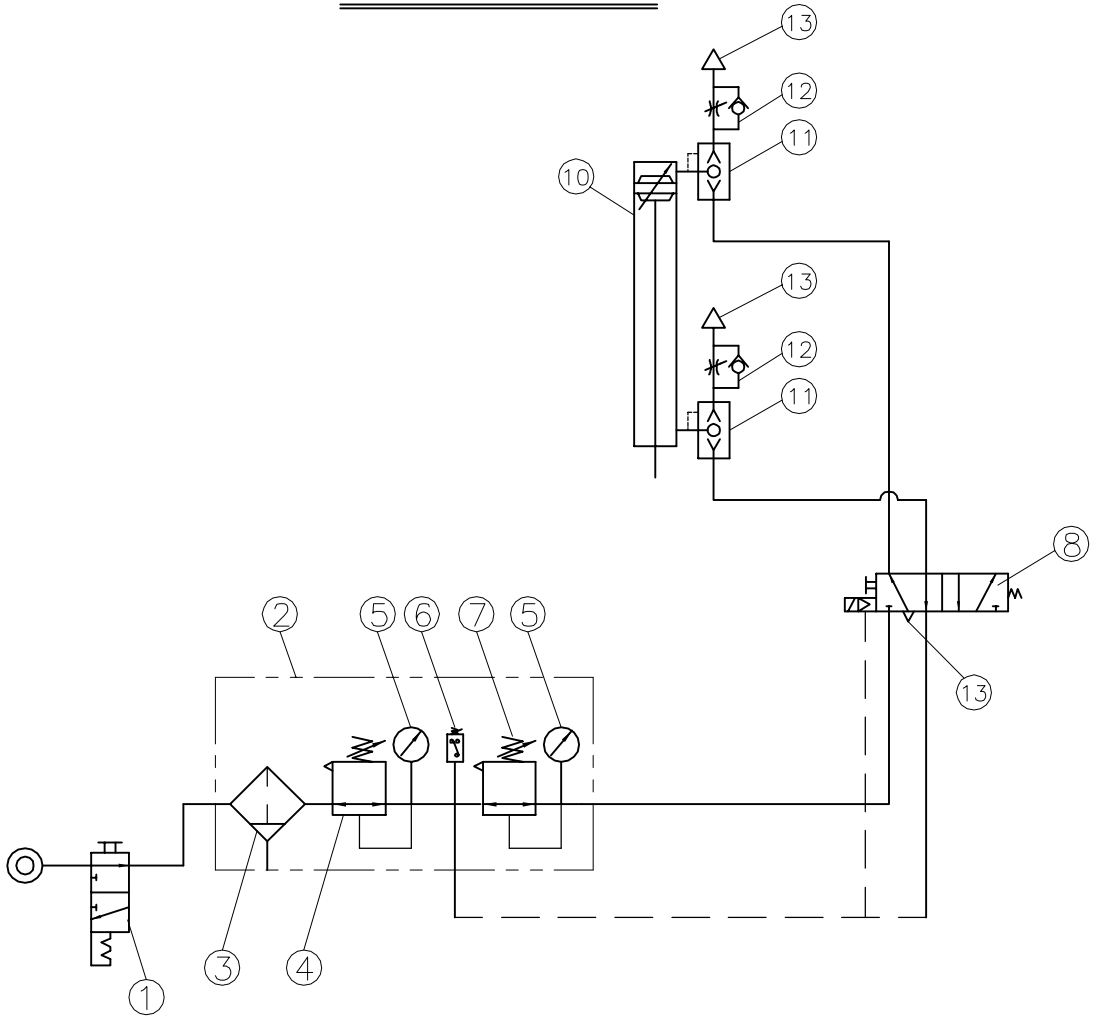
F0	×	F10	1	F20	×
F1	×	F11	0	F21	×
F2	×	F12	×	F22	×
F3	×	F13	×	F23	0
F4	×	F14	×	F24	2
F5	×	F15	×	F25	×
F6	70	F16	×	F26	×
F7	30	F17	×	F27	×
F8	×	F18	50	F28	0
F9	×	F19	×	F29	×

13. Troubleshooting

Problems	Probable Causes	Remedy
Machine works	(1) Incorrect strap threading direction on reel holder (2) Incorrect loading of strap (3) Strap gets in between strap coil and Reel Flange (4) Insufficient or excessive strap (5) Dust and strap residues in Feed Unit (6) Strap end is split (7) Loose strap at Reel Unit (8) Strap jumps out of arch track (9) Poor quality of strap (10) Improper positioning of package on Table Top	(1) Reload strap correctly (see P9) (2) Check if strap is twisted in loading section (see P9) (3) Reload strap (4) Adjust amount of strap accumulated (see P15) (5) Check and clean unit (6) Adjust Cutter Tension Spring or change cutter (7) Adjust or change Brake Tension Arm Spring (8) Adjust F/R mechanism (see P12) (9) Cut off the damaged part of strap or change the roll (10) Replace the package in the center of the Sealing Head
	(11) Wire inside or outside of Heater is broken, loose or out of connect (12) Improper setting of temperature (13) Value set at Tension knob is too high	(11) Check wire or change Heater (12) Adjust Heater Temperature (see P11) (13) Adjust Tension Knob (see P11) or increase weld cooling time
	(14) Tension Jaw Spring is worn-out or dislodged (15) Value set for Timer T1 is too short	(14) Change or reset Tension Jaw Spring (15) Adjust Timer T1 (see P7)

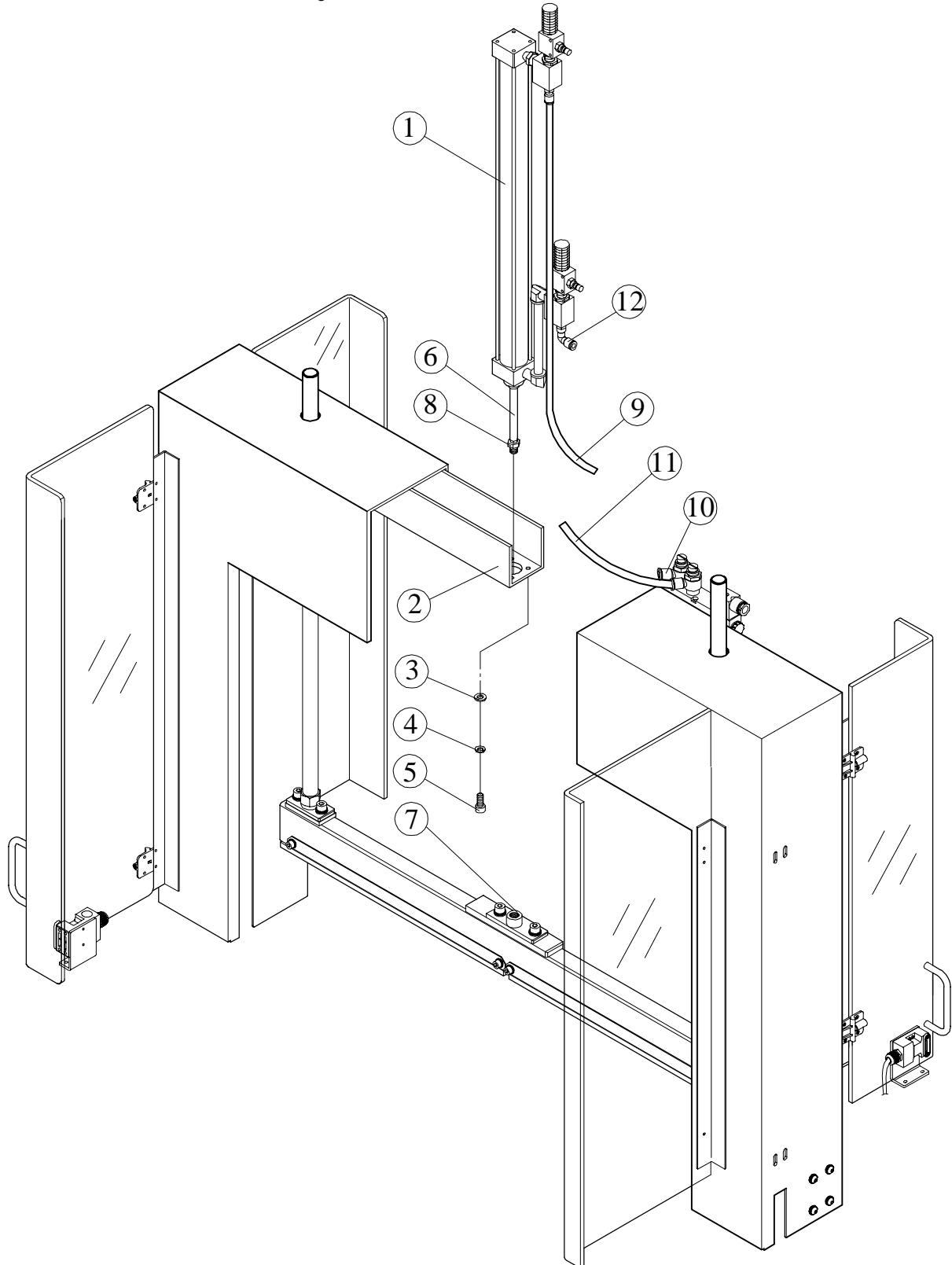
14. Pneumatic System Diagram

For Press Bar



REF. NO.	DESCRIPTION	Q'TY
1	Slide Valve	1
2	Filter/Regulator Combination	1
3	Filter	1
4	Regulator (Hi-Pressure)	1
5	Pressure Guage	2
6	Pressure Switch (SQ11)	1
7	Regulator (Low-Pressure)	1
8	Solenoid Valve (Special)	1
10	Cylinder	1
11	Quick Exhaust Valve	1
12	Control Valve	1
13	Resin Silencer (3/8")	3

15. Installation of Cylinder Unit



1. Stand the cylinder unit ① and through the shaft ⑧ into bracket ②.
2. Fix the cylinder unit ① on bracket ② by ③, ④, ⑤.
3. Screw the shaft ⑥ all into press bar ⑦ then tighten ⑧ down.
4. Insert the PU Tubing ⑨ into Tube Fitting ⑩.
4. Insert the PU Tubing ⑪ into Tube Fitting ⑫.

16. How to connect Upstream and Downstream Machine

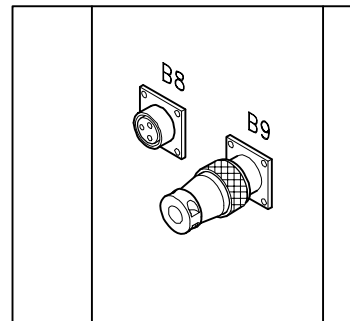
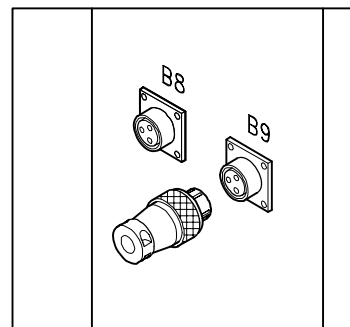
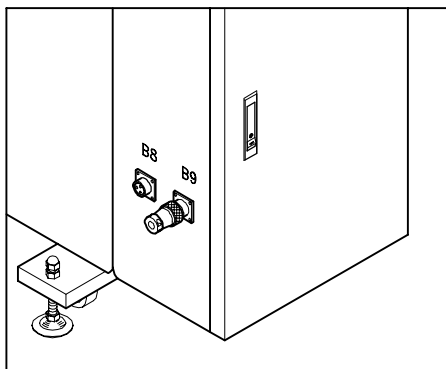
(1) B8 Connector (for Upstream machine):

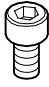








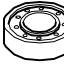














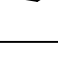









Pin 1 and Pin 2: To send signal to upstream machine for entering the package (Refer to 11. wiring Diagram of PART I).

(2) B9 Connector (for downstream machine):

Pin 1 and Pin 2: To receive the signal from the downstream machine to pass through the package (Refer to 11. wiring Diagram of PART I).

If there is no downstream machine, please still plug in the B9 connector to avoid machine waiting for this signal which will cause the transit belt not running after the strapping cycle is completed.



shape	classification	shape	classification
	HBS		ER
	TMS		RR
	PMS		SR
	FMS		SP
	HB		BR
	THS		MB
	HSS		KYA
	CAP		KYB
	HN		KYC
	WN		HBW
	FLG		PWA 8x 12~ 16x0.4~0.8t 6x 13~ 14x0.8~1.5t
	NTE		PWB 8x 14~ 16x1.3~1.5t 6x 15~ 16x1.0~1.5t
	PN		PWC 8x 20~ 23x2.0t 6x 16~ 19x2.0t
	PW		PWD
	SW		DS
	TW		TTP
	BWW		FTP

This bill of material, with the aid of illustrations, all the parts used in the TP-601A/B/BP series. When ordering, kindly submit a list using the descriptions, part no.s, and quantities as indicated.

EXPLANATION OF BILL OF MATERIAL

The following instructions are designed to assist you when ordering parts.

1. The parts are illustrated, with indication of their part no.s.
2. As far as the contents or the book are concerned, only the assembly parts are described, e.g. unit, group, set, etc.
3.
 - (a) If you want to order the control unit on page 1, please indicate the no. at the top of the page. (T6-1-90005, T6-1-90006, T6-1-90008, T6-1-90009)
 - (b) If you would like to order the tension group (in the control unit), indicate the no. on page 1 corresponding to tension group. (T6-1-60003) For further details on the tension group see page 19.
 - (c) If you would like to order the whole tension arm assembly, then indicate no. (T6-1-61001) on top of page 21.
 - (d) If you would like to order a tension jaw spring only, then indicate the no. corresponding to the spring on page 21. (T6-1-61140)
4. Part no.s are to be understood as follows (parts exclusively used for TP-601A/B/BP series machine.)

Please find T6-1-10110 as an example below:

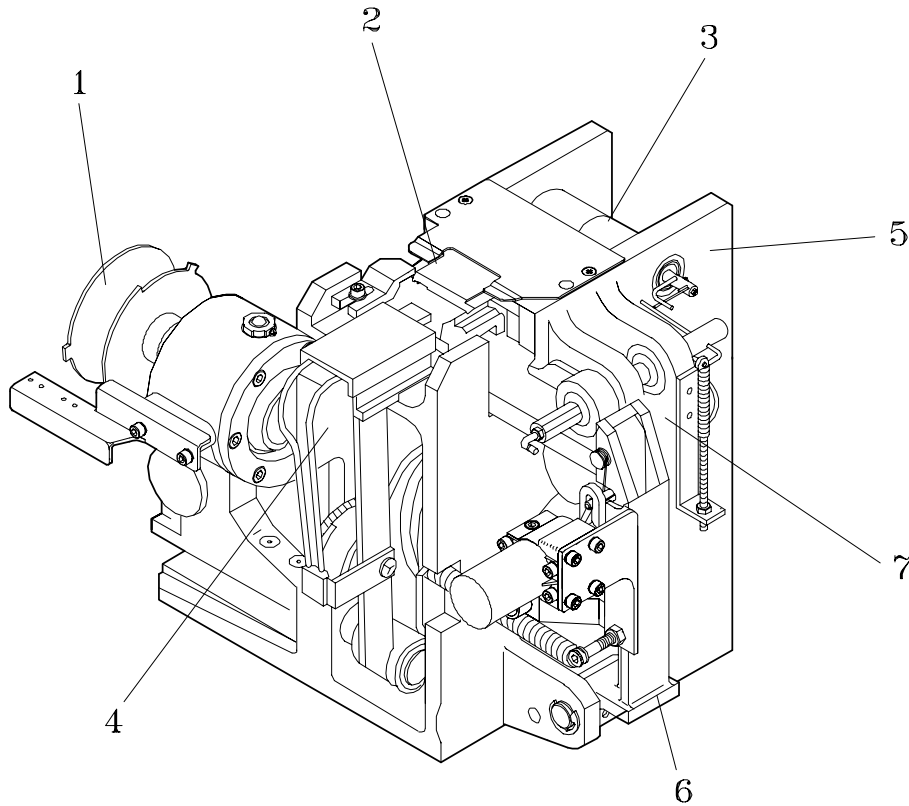
T6.....	MODEL NO.(TP-601A/B/BP)
1.....	UNIT NO. (CONTROL UNIT)
10110.....	PART NO. (TENSION CAM)

PART II

CONTENTS

1. Strapping Head Unit.....	1~26
2. Bandway Unit.....	27~41
3. Accumulator Unit.....	42~48
4. Reel Unit.....	49~56
5. Body Unit.....	57~67
6. Electric Control Unit.....	68~77
7. Transmission Group.....	78~96
8. Auto Strap Feeding Unit.....	97~101
9. Pneumatic Unit.....	102~107

1

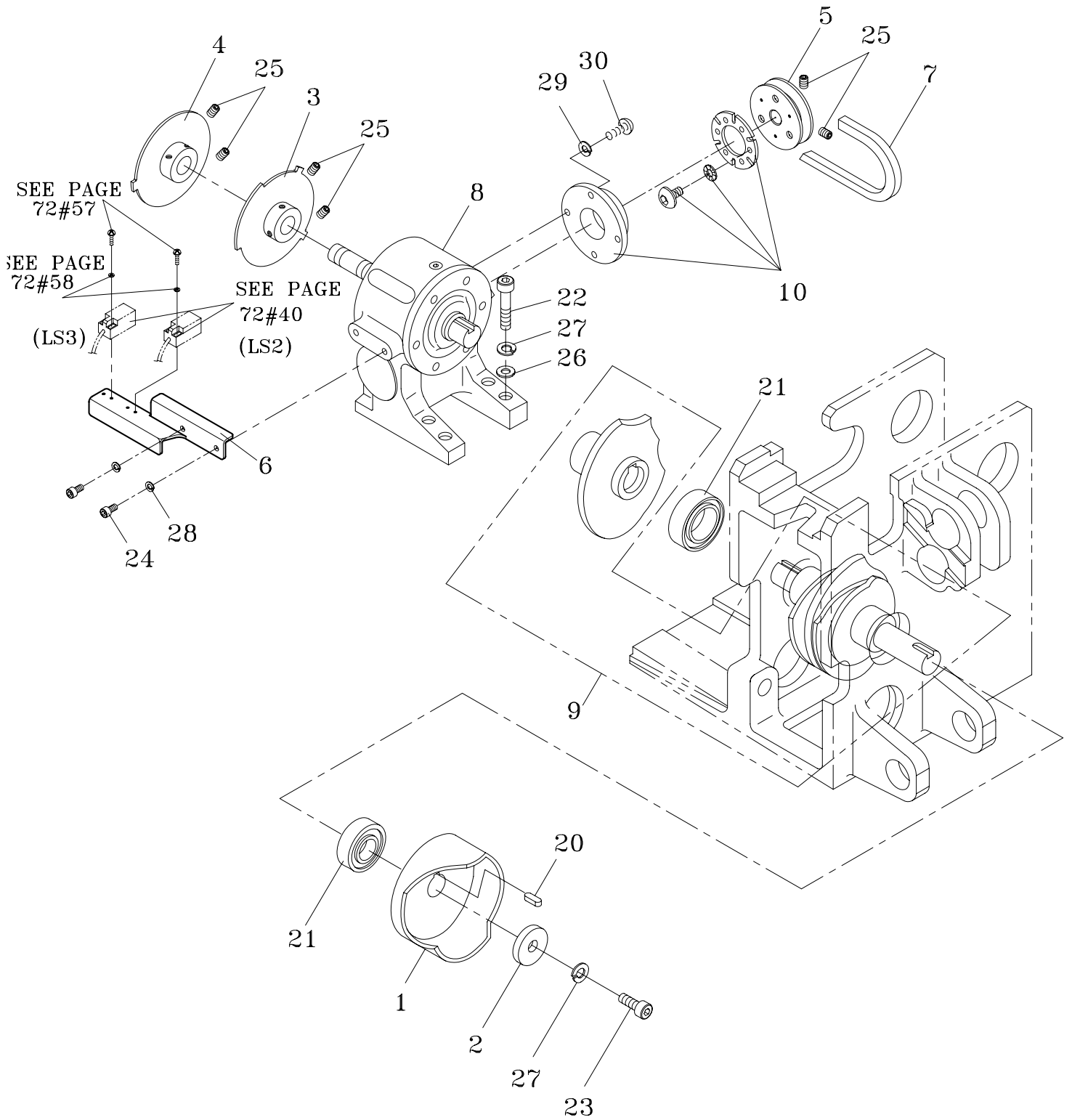
STRAPPING HEAD UNIT**T6-1-90005****T6-1-90008****T6-1-90006****T6-1-90009**

REF. NO.	PART NO.	DESCRIPTION	Q'TY	REMARKS
	T6-1-90005	Strapping Head Unit (For TP-601B /TP-601BP)(For 12mm)	1	
	T6-1-90008	Strapping Head Unit (For TP-601B /TP-601BP)(For 9mm)	1	
	T6-1-90006	Strapping Head Unit (For TP-601A,12mm)	1	
	T6-1-90009	Strapping Head Unit (For TP-601A, 9mm)	1	
1	T6-1-10004	Cam Group	1	SEE PAGE 2
2	T6-1-20003	Slide Table Group	1	SEE PAGE 5
3	T6-1-30000	Press Group	1	SEE PAGE 9
4	T6-1-40003	Heater Group	1	SEE PAGE 14
5	T6-1-50004	Strapping Head Group (For TP-601B, TP-601BP)	1	SEE PAGE 17
	T6-1-50005	Strapping Head Group (For TP-601A)	1	SEE PAGE 17
6	T6-1-60003	Tension Group	1	SEE PAGE 19
7	T6-1-70004	Feed Group (For 12mm)	1	SEE PAGE 23
	T6-1-70005	Feed Group (For 9mm)	1	SEE PAGE 23

1-1

CAM GROUP

T6-1-10004



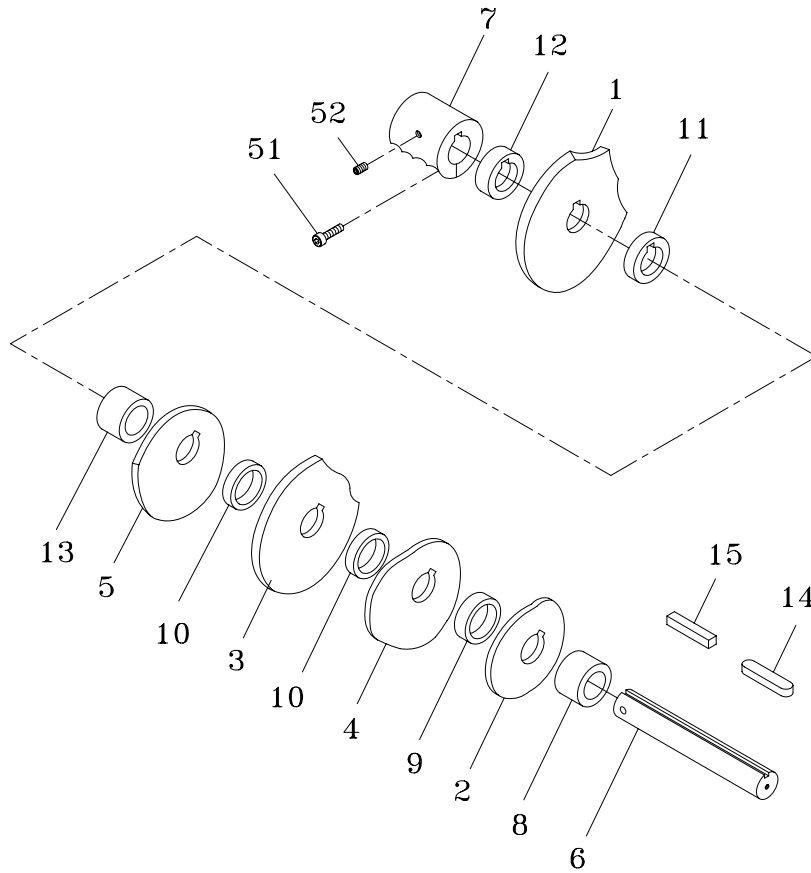
1-1**CAM GROUP****T6-1-10004**

REF. NO.	PART NO.	DESCRIPTION	Q'TY	REMARKS
1	T6-1-10110	Tension Cam	1	
2	T6-1-10120	Cam Shaft End Plate	1	
3	T6-1-10131	Limit Switch Cam (LS2)	1	
4	T6-1-10142	Limit Switch Cam (LS3)	1	
5	T6-1-10171	Gear Box Pulley	1	
6	T6-1-10181	Limit Switch Bracket	1	
7	T6-1-10201	V-Belt (A25)	1	
8	T6-1-11000	Gear Box	1	
9	T6-1-12000	Cam Ass'y	1	SEE PAGE 4
10	T6-6-10180	Magnet Brake	1	
20	KYA070720	Key, 7x7x20	2	
21	BR6205ZZ	Bearing, 6205ZZ	2	
22	HBS0845H	HBS, M8x45 (H)	4	
23	HBS0825	HBS, M8x25	1	
24	HBS0612	HBS, M6x12	2	
25	HSS0610	HSS, M6x10	6	
26	PW08B	PW, M8 (B)	4	
27	SW08	SW, M8	5	
28	SW06	SW, M6	2	
29	SW04	SW, M4	4	
30	PMS0408	PMS, M4x8	4	

1-1-1

CAM ASS'Y

T6-1-12000

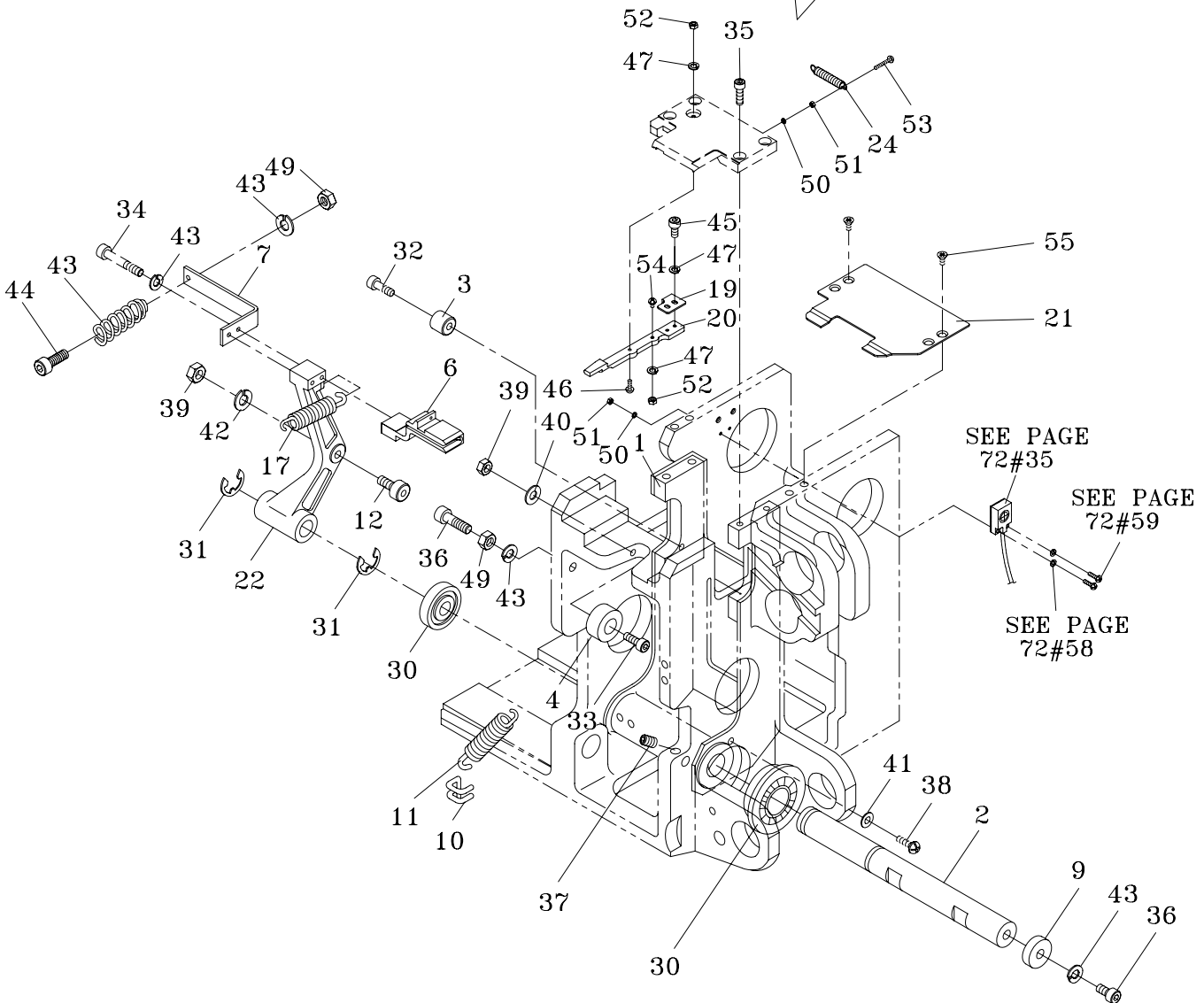
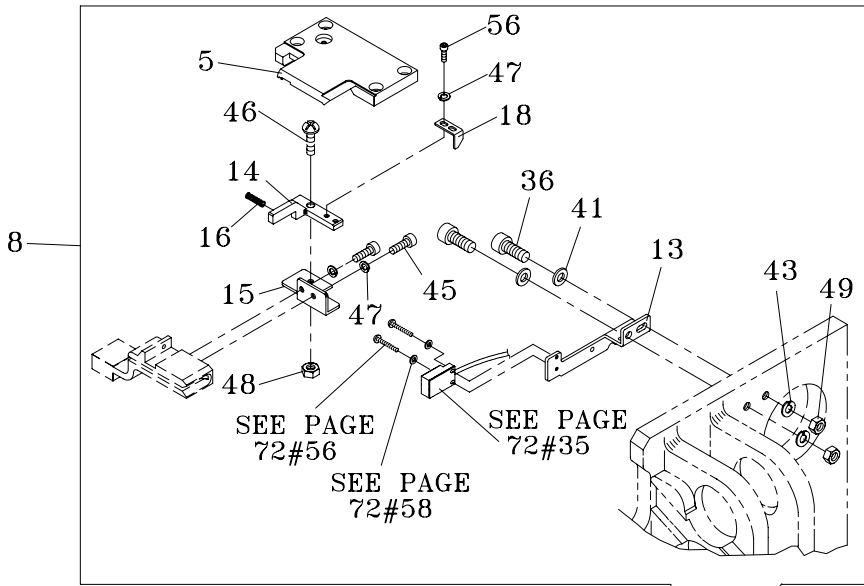


REF. NO.	PART NO.	DESCRIPTION	Q'TY	REMARKS
1	T6-1-12110	Slide Table Cam	1	
2	T6-1-12120	RH Press Cam	1	
3	T6-1-12130	Center Press Came	1	
4	T6-1-12140	Heater Cam	1	
5	T6-1-12150	LH Press Cam	1	
6	T6-1-12160	Cam Shaft	1	
7	T6-1-12170	Cam Shaft Coupling	1	
8	T6-1-12180	Collar, 28.8x34x28.3	1	
9	T6-1-12190	Collar, 28.8x34x21	1	
10	T6-1-12210	Collar, 28.8x34x8	2	
11	T6-1-12220	Collar, 28.8x34x4.5	1	
12	T6-1-12230	Collar, 28.8x34x15	1	
13	T6-1-12350	Collar, 28.8x34x27.8	1	
14	KYA070790	Key, 7x7x90	1	
15	KYB070748	Key, 7x7x48	1	
51	HBS0620	HBS, M6x20	4	
52	HSS0810	HSS, M8x10	1	

1-2

SLIDE TABLE GROUP

T6-1-20003



1-2**SLIDE TABLE GROUP****T6-1-20003**

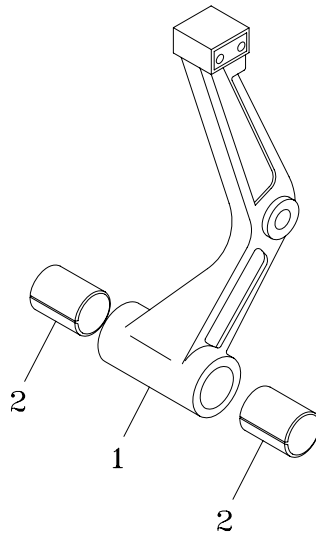
REF. NO.	PART NO.	DESCRIPTION	Q'TY	REMARKS
1	T6-1-20110	Slide Table Frame	1	
2	T6-1-20120	Slide Table Frame Shaft	1	
3	T6-1-20141	Slide Table Back Adjuster	1	
4	T6-1-20150	Slide Table Stopper	1	
5	T6-1-20163	Slide Table	1	
	T6-1-20163S	Slide Table (Stainless Steel Model)	1	
6	T6-1-20170	Band Guide (For 12mm,9mm)	1	
7	T6-1-20180	Flap Connecting Spring Bracket	1	
8	T6-1-20193	S.F.S. Ass'y	1	
9	T6-1-20210	End Plate	1	
10	T6-1-20220	Slide Table Spring Hook	1	
11	T6-1-20230	Slide Table Tension Spring	1	
12	T6-1-20250	Cam Follower, KR22xLL	1	
13	T6-1-20311	Support	1	
14	T6-1-20321	Lever	1	
15	T6-1-20340	Bracket	1	
16	T6-1-20351	Spring	1	
17	T6-1-20371	Spring	1	
18	T6-1-20840	Detector Plate	1	
19	T6-1-20910	Sensor Plate	1	
20	T6-1-20920	Loop-eject Lever	1	
21	T6-1-20930	Loop-eject Plate (For TP-601B/TP-601BP)	1	
	T6-1-20930S	Loop-eject Plate (For TP-601B/TP-601BP)(Stainless Steel Model)	1	
22	T6-1-21000	Strap Guide Arm Ass'y	1	SEE PAGE 8
23	T6-2-10130	LN Bandway Stop Spring	1	
24	TA-071	Return Spring	1	
30	BR6304ZZ	Bearing, 6304ZZ	2	
31	ER15	Snap Ring, E-15	2	
32	HBS1025H	HBS, M10x25 (H)	1	
33	HBS0830	HBS, M8x30	1	
34	HBS0650H	HBS, M6x50 (H)	1	
35	HBS0620N	HBS, M6x20 (N)	4	
	HBS0620NS	HBS, M6x20 (N) (Stainless Steel Model)	4	
36	HBS0620	HBS, M6x20	4	

1-2**SLIDE TABLE GROUP****T6-1-20003**

REF. NO.	PART NO.	DESCRIPTION	Q'TY	REMARKS
37	HSS0810	HSS, M8x10	4	
38	TMS0610	TMS, M6x10	2	
39	HN10	HN, M10	1	
40	PW08A	PW, M8 (A)	1	
41	PW06A	PW, M6 (A)	4	
42	SW10	SW, M10	1	
43	SW06	SW, M6	6	
44	HBS0615	HBS, M6x15	1	
45	HBS0408	HBS, M4x8	4	
46	TMS0412	TMS, M4x12	2	
47	SW04	SW, M4	7	
48	NTE04	NTE, M4	1	
49	HN06	HN, M6	4	
50	SW03	SW, M3	3	
51	HN03	HN, M3	3	
52	HN04	HN, M4	2	
53	PMS0416	PMS, M4x16	1	
54	PMS0412	PMS, M4x12	1	
55	FMS0508	FMS, M5x8(For TP-601B/TP-601BP)	2	
	FMS0508S	FMS, M5x8 (For TP-601B/TP-601BP) (Stainless Steel Model)	2	
56	HBS0408	HBS, M4x8	2	

1-2-1 STRAP GUIDE ARM ASS'Y

**T6-1-21000
T6-1-21002**

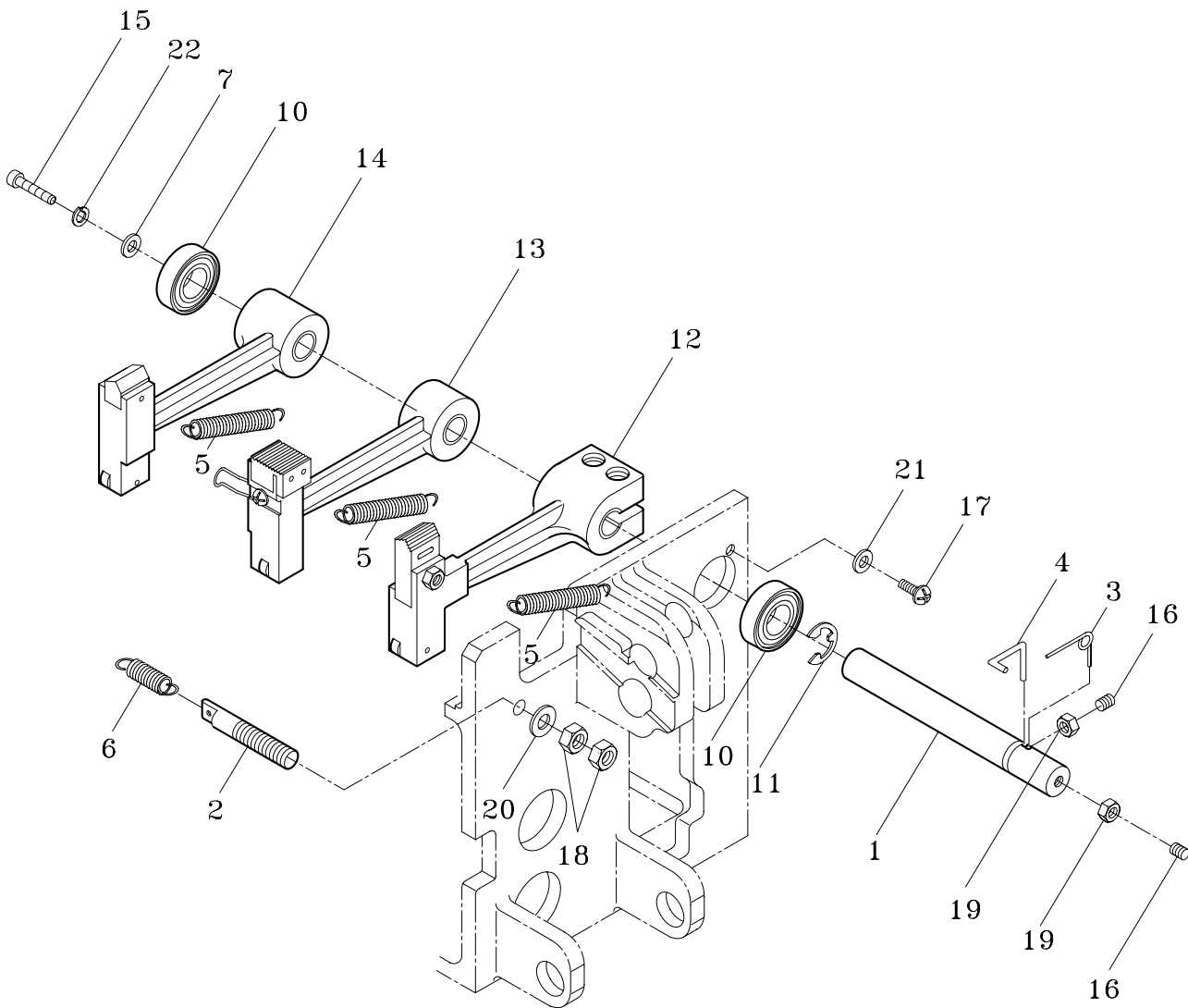


REF. NO.	PART NO.	DESCRIPTION	Q'TY	REMARKS
1	T6-1-21000	Strap Guide Arm Ass'y (For TP-601B/BP)	1	
	T6-1-21002	Strap Guide Arm Ass'y (For TP-601A)	1	
	T6-1-21110	Strap Guide Arm (For TP-601B/BP)	1	
	T6-1-21111	Strap Guide Arm (For TP-601A)	1	
2	MB2025	Metal Bush, 2025	2	

1-3

PRESS GROUP

T6-1-30000



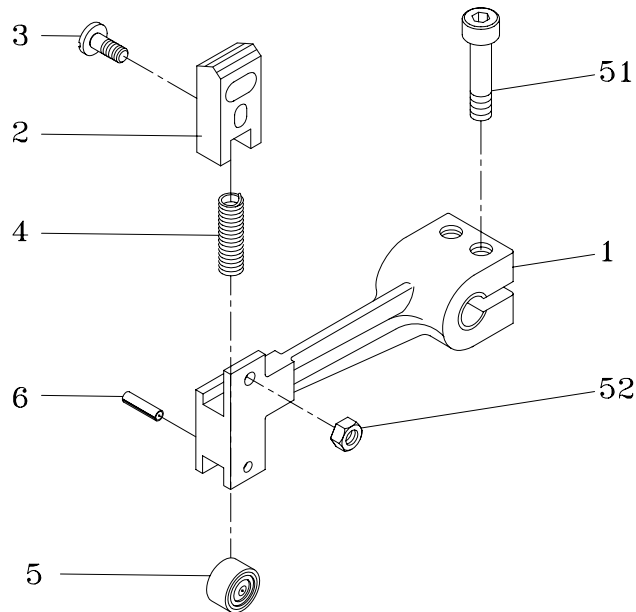
1-3**PRESS GROUP****T6-1-30000**

REF. NO.	PART NO.	DESCRIPTION	Q'TY	REMARKS
1	T6-1-30110	Press Arm Shaft	1	
2	T6-1-30120	Cutter Tension Spring Hook	1	
3	T6-1-30130	Upper Roller Spring	1	
4	T6-1-30140	Upper Shaft Spring Adjuster	1	
5	T6-1-30150	Press Tension Spring	3	
6	T6-1-30160	Cutter Tension Spring	1	
7	T6-1-30170	Press Arm End Plate	1	
10	BR6304ZZ	Bearing, 6304ZZ	2	
11	ER15	Snap Ring, E-15	1	
12	T6-1-31000	RH, Block Arm Ass'y	1	SEE PAGE 11
	T6-1-31000S	RH, Block Arm Ass'y (Stainless Steel Model)	1	SEE PAGE 11
13	T6-1-32000	Center Block Arm Ass'y	1	SEE PAGE 12
	T6-1-32000S	Center Block Arm Ass'y (Stainless Steel Model)	1	SEE PAGE 12
14	T6-1-33000	LH, Block Arm Ass'y	1	SEE PAGE 13
15	HBS0620	HBS, M6x20	1	
16	HSS0615	HSS, M6x15	2	
17	TMS0610	TMS, M6x10	2	
18	HN08	HN, M8	2	
19	HN06	HN, M6	2	
20	PW08A	PW, M8 (A)	1	
21	PW06B	PW, M6 (B)	2	
22	SW06	SW, M6	1	

1-3-1

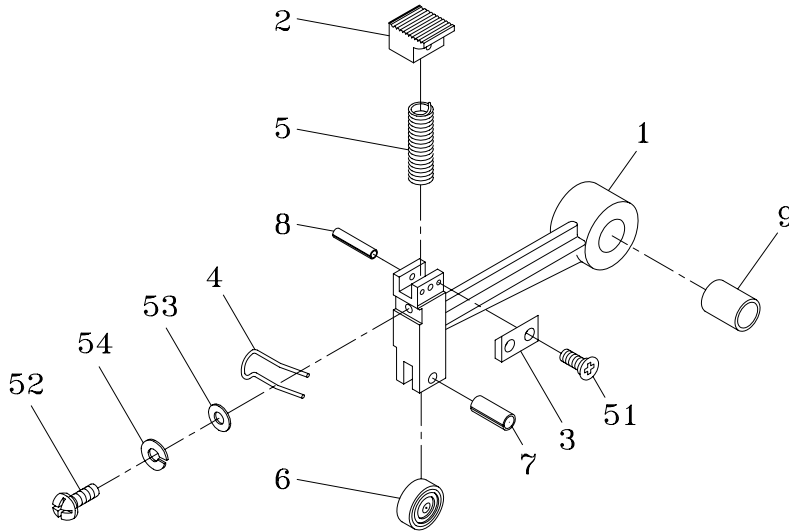
RH, BLOCK ARM ASS'Y

T6-1-31000



REF. NO.	PART NO.	DESCRIPTION	Q'TY	REMARKS
1	T6-1-31110	RH, Block Arm	1	
2	T6-1-31120	Upper Cutter	1	
	T6-1-31120S	Upper Cutter (Stainless Steel Model)	1	
3	T6-1-31130	Upper Cutter Pin	1	
4	T6-1-31140	RH, Block Spring	1	
5	BR628ZZ	Bearing, 628ZZ	1	
6	SP0824	Spring Pin, 8x24	1	
51	HBS0835H	HBS, M8x35(H)	2	
52	HN10	HN, M10	1	

1-3-2 CENTER BLOCK ARM ASS'Y T6-1-32000

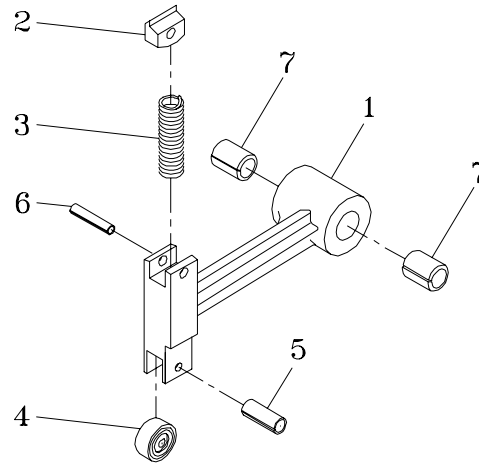


REF. NO.	PART NO.	DESCRIPTION	Q'TY	REMARKS
1	T6-1-32110	Center Block Arm	1	
2	T6-1-32120	Universal Press	1	
	T6-1-32120S	Universal Press (Stainless Steel Model)	1	
3	T6-1-32130	Lower Cutter	1	
	T6-1-32130S	Lower Cutter (Stainless Steel Model)	1	
4	T6-1-32140	Cutter Spring Hook	1	
5	T6-1-32150	LH & Center Block Spring	1	
6	BR628ZZ	Bearing, 628ZZ	1	
7	SP0820	Spring Pin, 8x20	1	
8	SP0622	Spring Pin, 6x22	1	
9	MB2025	Metal Bush, 2025	1	
51	FMS0510S	FMS, M5x10 (Stainless Steel Model)	2	
52	PMS0610	PMS, M6x10	1	
53	PW06A	PW, M6 (A)	1	
54	SW06	SW, M6	1	

1-3-3

LH, BLOCK ARM ASS'Y

T6-1-33000

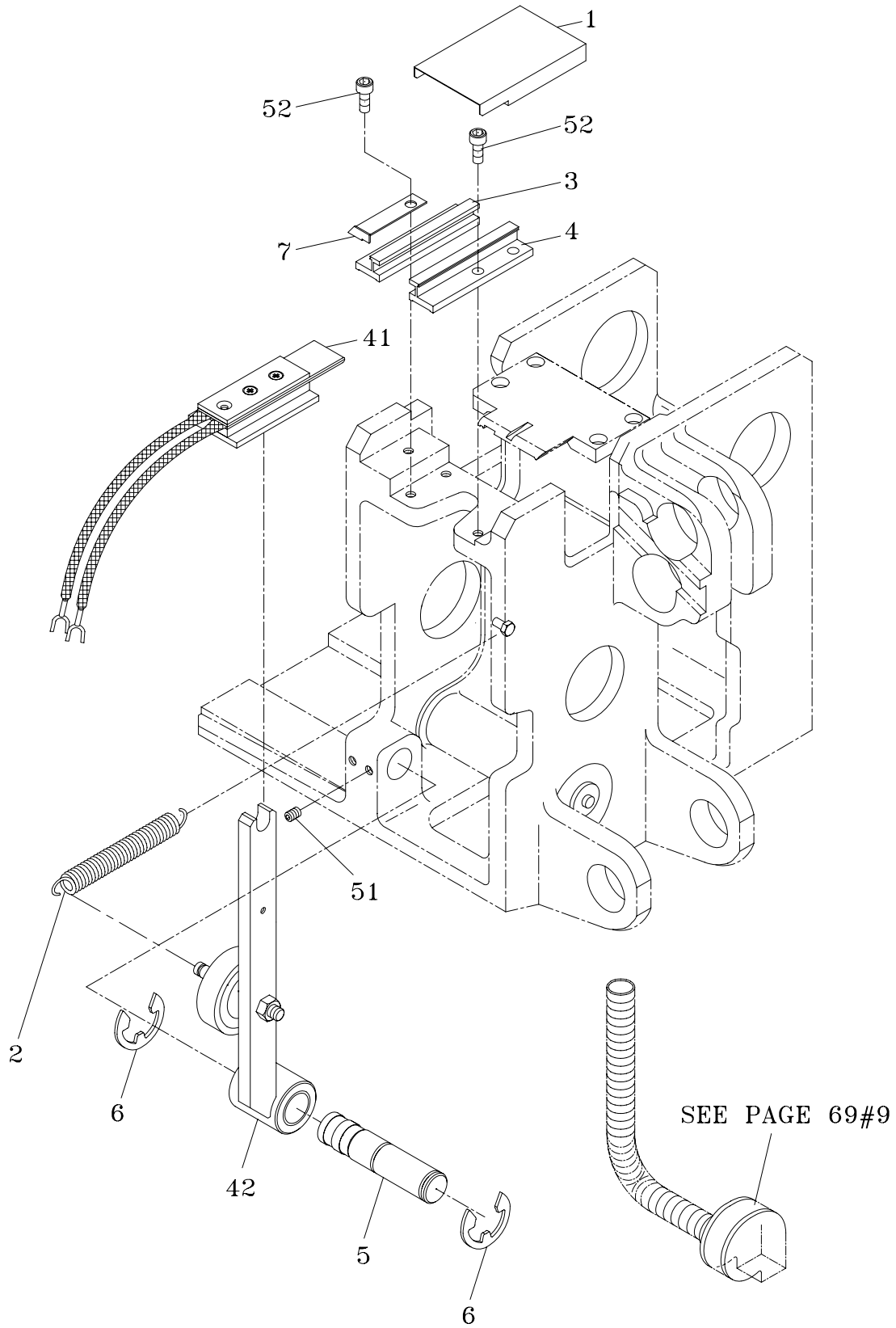


REF. NO.	PART NO.	DESCRIPTION	Q'TY	REMARKS
1	T6-1-33110	LH, Block Arm	1	
2	T6-1-33120	Left Jaw	1	
3	T6-1-32150	LH & Center Block Spring	1	
4	BR628ZZ	Bearing , 628ZZ	1	
5	SP0820	Spring Pin, 8x20	1	
6	SP0622	Spring Pin, 6x22	1	
7	MB2020	Metal Bush, 2020	2	

1-4

HEATER GROUP

T6-1-40003



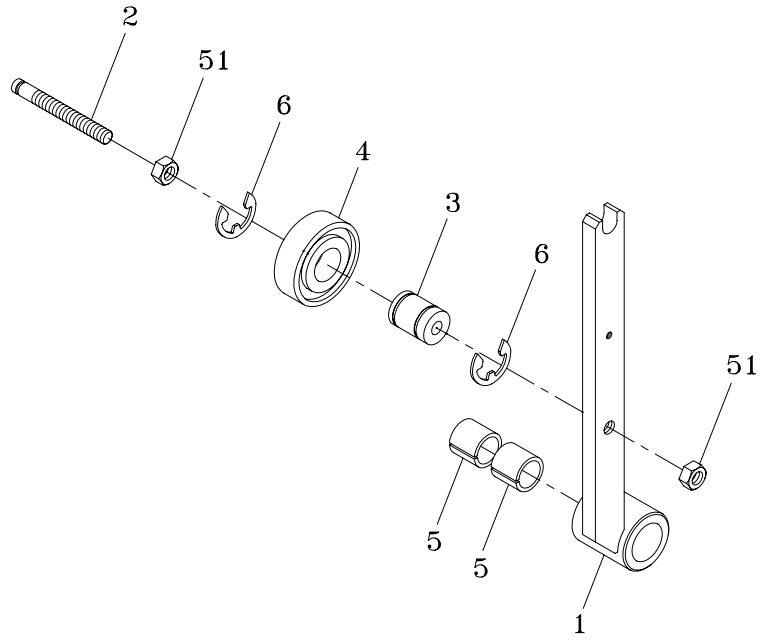
1-4**HEATER GROUP****T6-1-40003**

REF. NO.	PART NO.	DESCRIPTION	Q'TY	REMARKS
1	T6-1-40110	Heater Cover(For TP-601A)	1	
	T6-1-40111	Heater Cover(For TP-601B/BP)	1	
2	T6-1-40120	Heater Crank Spring	1	
3	T6-1-40130	Heater Slider Guide (L)	1	
4	T6-1-40140	Heater Slider Guide (R)	1	
5	T6-1-40150	Heater Crank Shaft	1	
6	ER15	Snap Ring, E-15	2	
7	T6-1-40170	Heater Stopper	1	
41	T6-1-41000	Heater Set	1	
42	T6-1-42000	Heater Crank Set	1	SEE PAGE 16
51	HSS0610	HSS, M6x10	2	
52	HBS0615	HBS, M6x15	4	

1-4-2

HEATER CRANK SET

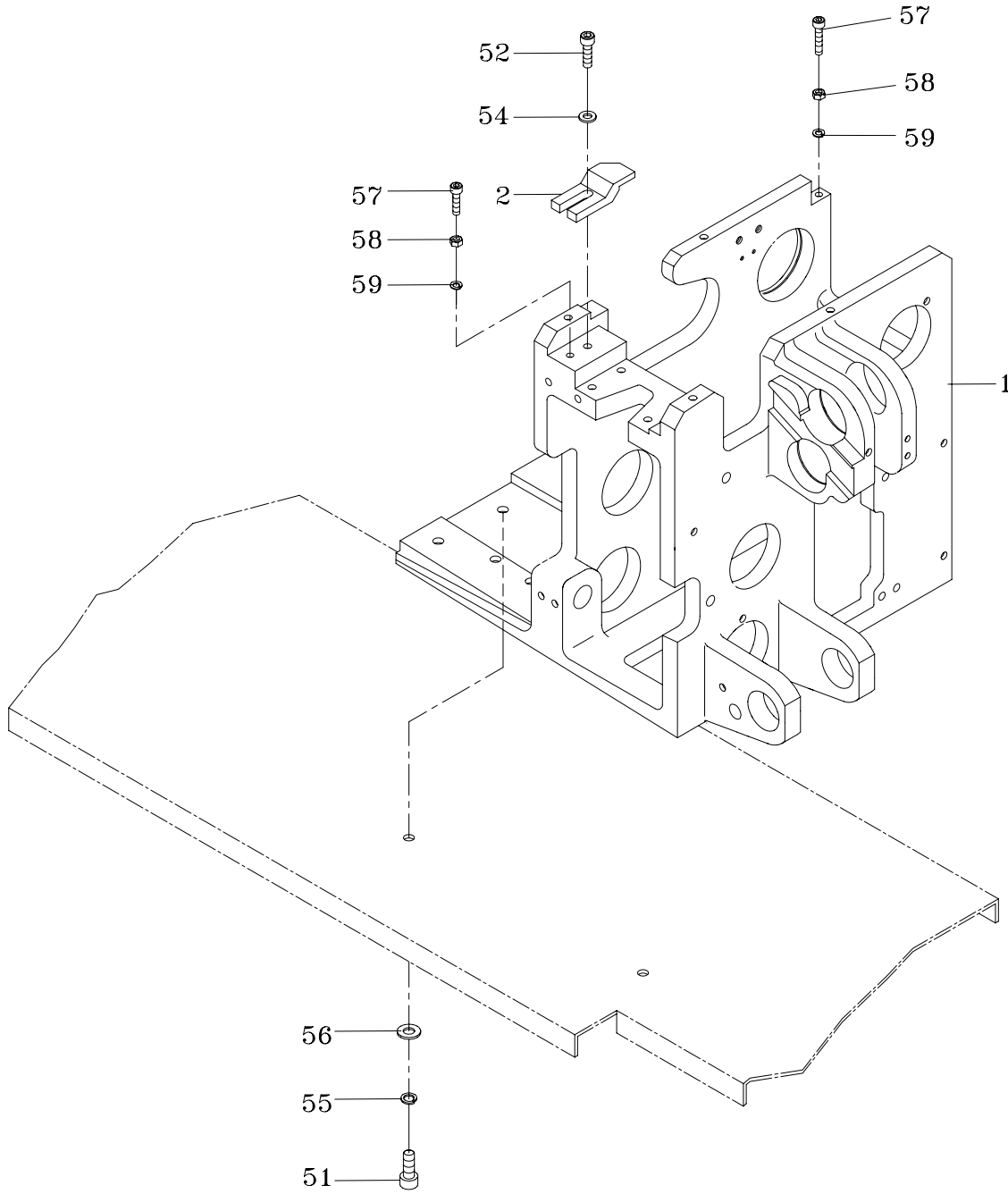
T6-1-42000



REF. NO.	PART NO.	DESCRIPTION	Q'TY	REMARKS
1	T6-1-42110	Heater Crank	1	
2	T6-1-42120	Heater Bearing Shaft	1	
3	T6-1-42130	Heater Crank Collar	1	
4	BR6304ZZ	Bearing, 6304ZZ	1	
5	MB2015	Metal Bush, 2015	2	
6	ER15	Snap Ring, E-15	2	
51	HN08	HN, M8	2	

1-5 STRAPPING HEAD GROUP

T6-1-50004
T6-1-50005



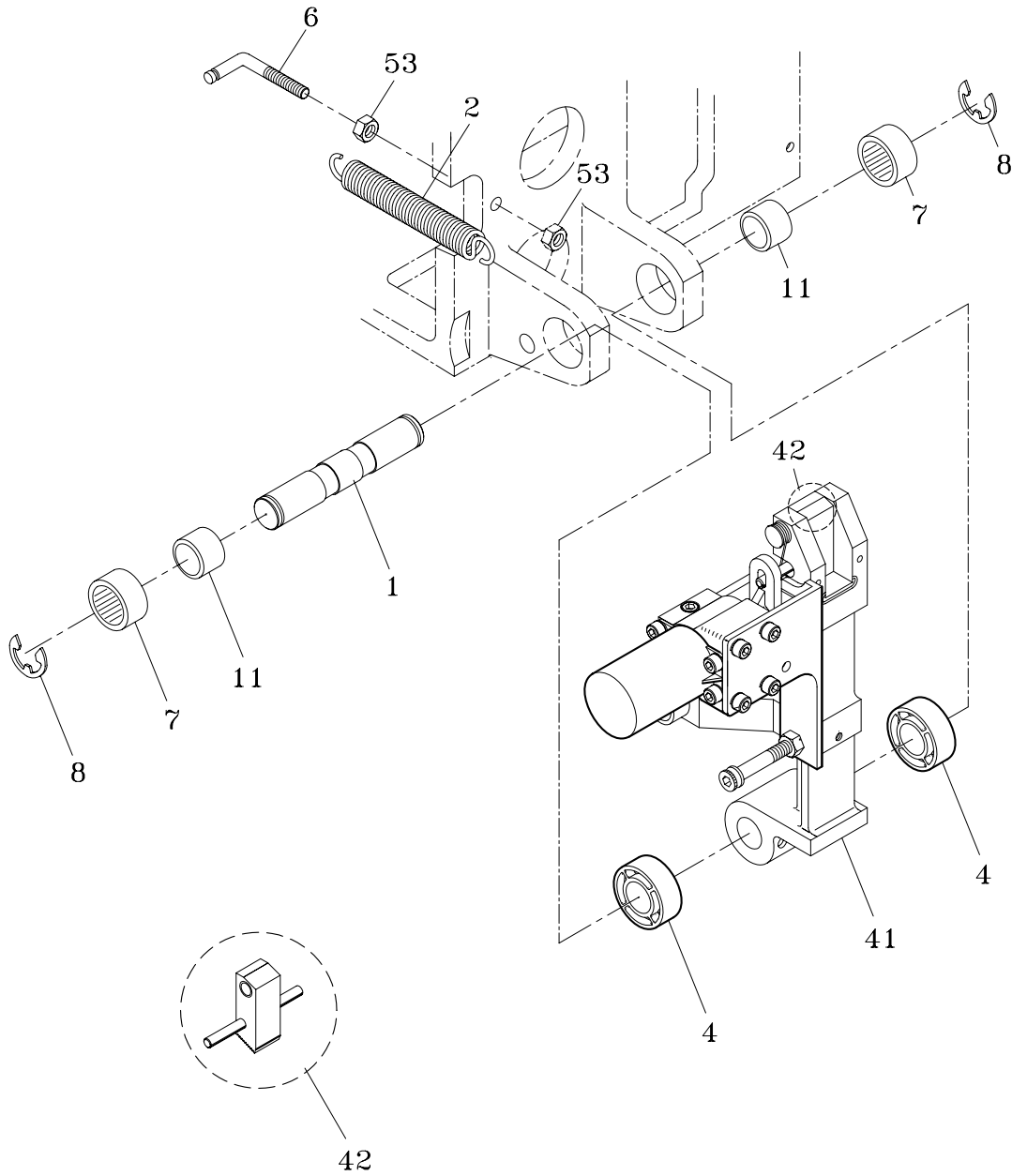
1-5**STRAPPING HEAD GROUP****T6-1-50004****T6-1-50005**

REF. NO.	PART NO.	DESCRIPTION	Q'TY	REMARKS
	T6-1-50004	Strapping Head Group (For TP-601B/TP-601BP)	1	
	T6-1-50005	Strapping Head Group (For TP-601A)	1	
1	T6-1-50102	Strapping Head (For TP-601B/TP-601BP)	1	
	T6-1-50103	Strapping Head (For TP-601A)	1	
2	T6-1-50111	Band Width Block (For TP-601A)	1	
	T6-1-50112	Band Width Block (For TP-601B/TP-601BP)	1	
51	HBS0820	HBS, M8x20	4	
52	HBS0620	HBS, M6x20 (For TP-601A)	1	
	HBS0516	HBS, M5x16 (For TP-601B/BP)	1	
54	PW06B	PW, M6 (B) (For TP-601A)	1	
	PW05	PW, M5 (For TP-601B/BP)	1	
55	SW08	SW, M8	4	
56	PW08C	PW, M8 (C)	4	
57	HBS0525	HBS, M5x25 (For TP-601B/TP-601BP)	2	
58	HN05	HN, M5 (For TP-601B/TP-601BP)	2	
59	SW05	SW, M5 (For TP-601B/TP-601BP)	2	

1-6

TENSION GROUP

T6-1-60003



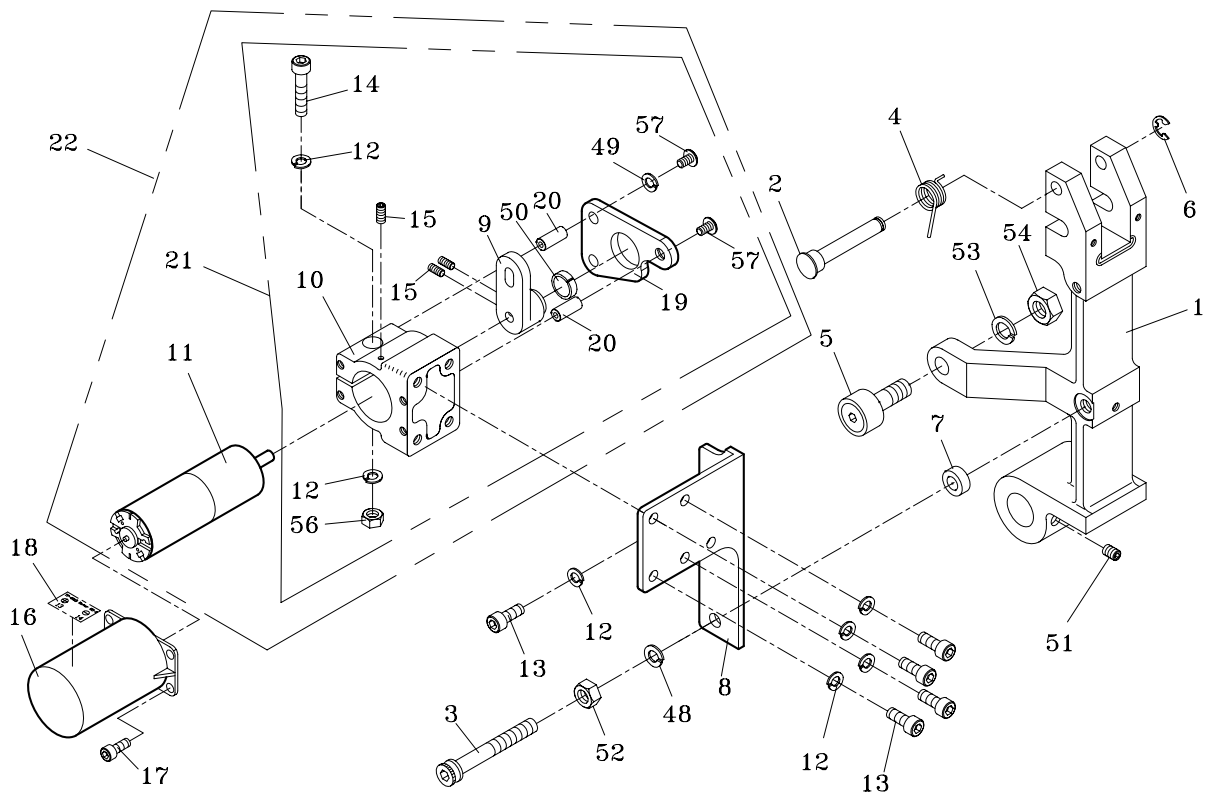
1-6**TENSION GROUP****T6-1-60003**

REF. NO.	PART NO.	DESCRIPTION	Q'TY	REMARKS
1	T6-1-60111	Tension Arm Shaft	1	
2	T6-1-60120	Tension Arm Spring	1	
4	T6-1-60140	Tension Arm Spacer	2	
6	T6-1-60160	Tension Arm Spring Hook L-Type	1	
7	BRHK2516	Bearing, HK2516	2	
8	ER15	Snap Ring, E-15	2	
11	BRIR202517	Bearing, IR202517	2	
41	T6-1-61001	Tension Arm Ass'y	1	SEE PAGE 21
42	T6-1-62000	Tension Jaw Set	1	
	T6-1-62000S	Tension Jaw Set (Stainless Steel Model)	1	
53	HN08	HN, M8	2	

1-6-1

TENSION ARM ASS'Y

T6-1-61001



REF. NO.	PART NO.	DESCRIPTION	Q'TY	REMARKS
1	T6-1-61110	Tension Arm	1	
2	T6-1-61120	Tension Jaw Shaft	1	
3	T6-1-61130	Tension Arm Spring Hook I-Type	1	
4	T6-1-61140	Tension Jaw Spring	1	
5	T6-1-20250	Cam Follower, KR22xLL	1	
6	ER06	Snap Ring, E-6	1	
7	T6-1-61170	Spacer	1	
8	T6-1-61180	Support	1	
9	T6-1-61190	Lever	1	
10	T6-1-61200	Bracket	1	
11	T6-1-61210	Motor (M5-1)	1	
12	SW06	SW, M6	9	
13	HBS0616	HBS, M6x16	5	
14	HBS0630	HBS, M6x30	1	
15	HSS0508	HSS, M5x8	3	
16	T6-1-61260	Cover	1	
17	HBS0510	HBS, M5x10	4	
18	T6-1-61280	Panel	1	

1-6-1**TENSION ARM ASS'Y****T6-1-61001**

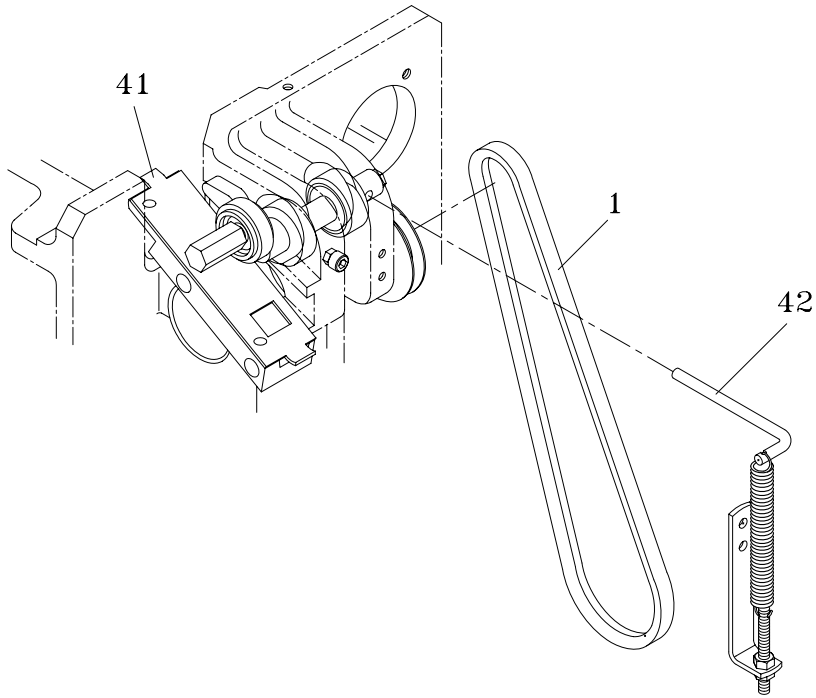
REF. NO.	PART NO.	DESCRIPTION	Q'TY	REMARKS
19	T6-1-61290	Support Plate	1	
20	T6-1-61300	Collar	3	
21	T6-1-61100	Bracker Ass'y	1	
22	T6-1-61101	Motor (M5-1) Ass'y	1	
48	SW08	SW, M8	1	
49	SW05	SW, M5	2	
50	MB1504	Metal Bush, 1504	1	
51	HSS0810	HSS, M8x10	2	
52	HN08	HN, M8	1	
53	SW10	SW, M10	1	
54	HN10	HN, M10	1	
56	HN06	HN, M6	1	
57	THS0540	THS, M5x40	3	

1-7

FEED GROUP

T6-1-70004

T6-1-70005



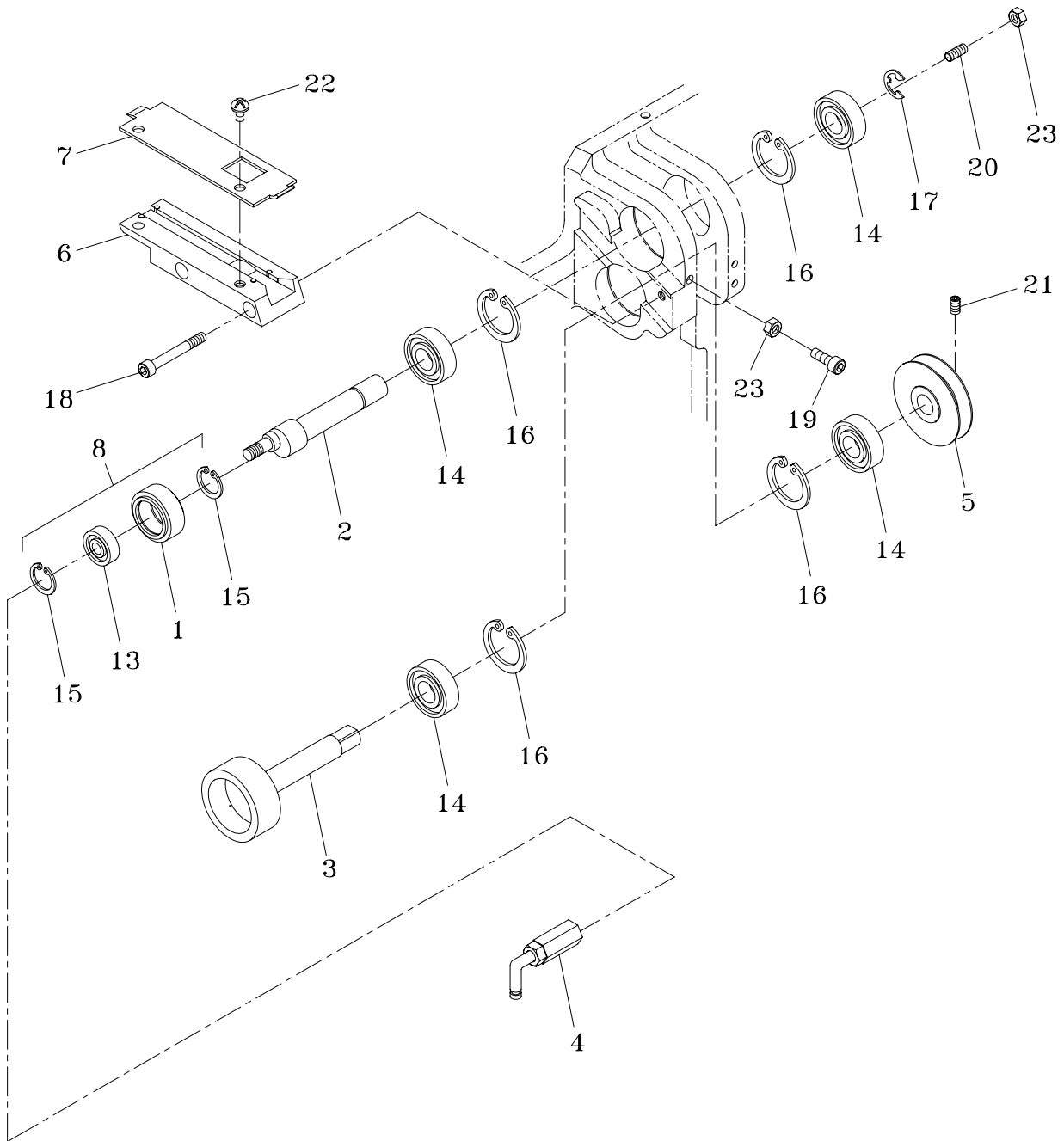
REF. NO.	PART NO.	DESCRIPTION	Q'TY	REMARKS
	T6-1-70004	Feed Group (For 12mm)	1	
	T6-1-70005	Feed Group (For 9mm)	1	
1	T6-1-70112	V-Belt M-23	1	
41	T6-1-71002	Feed Ass'y (For 12mm)	1	SEE PAGE 24
	T6-1-71003	Feed Ass'y (For 9mm)	1	SEE PAGE 24
42	T6-1-72000	Upper Adjusting Weight Set	1	SEE PAGE 26

1-7-1

FEED ASS'Y

T6-1-71002

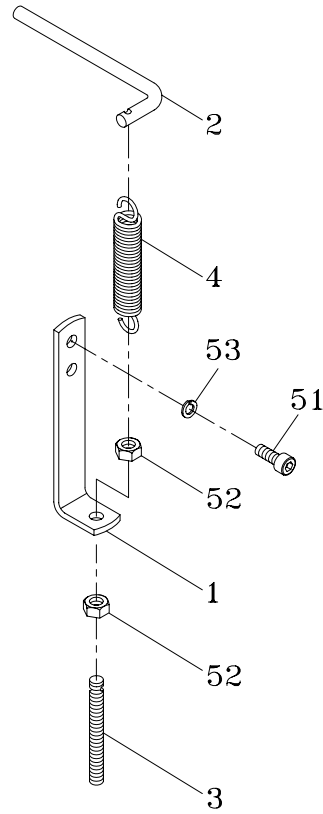
T6-1-71003



1-7-1**FEED ASS'Y****T6-1-71002****T6-1-71003**

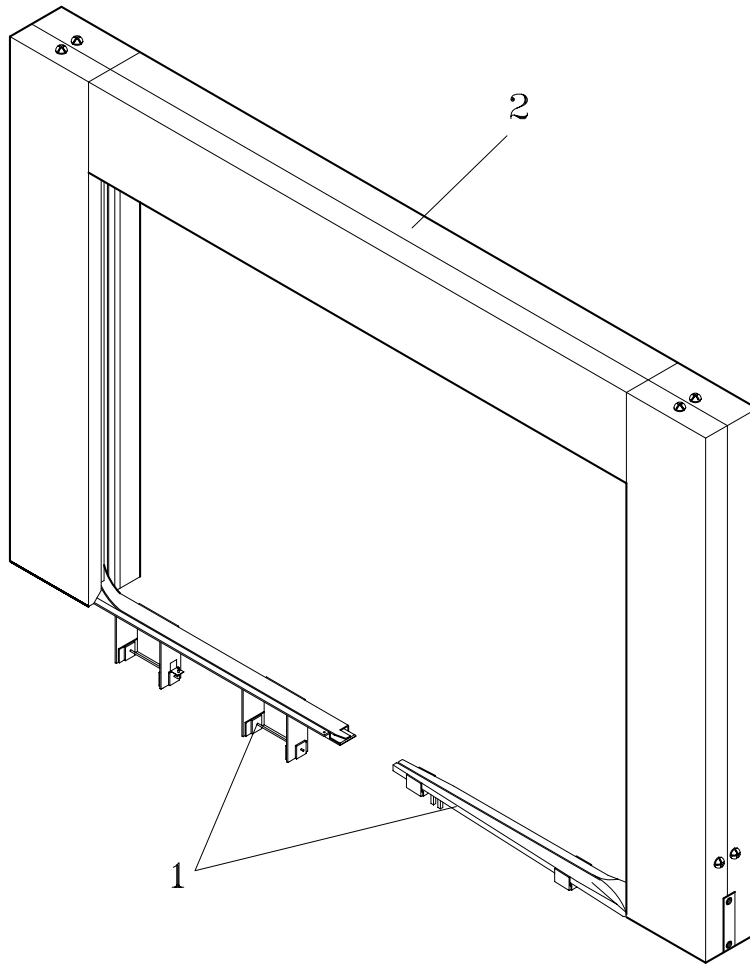
REF. NO.	PART NO.	DESCRIPTION	Q'TY	REMARKS
	T6-1-71002	Feed Ass'y (For 12mm)	1	
	T6-1-71003	Feed Ass'y (For 9mm)	1	
1	T6-1-71123	Upper Feed Roller (For 12mm)	1	
	T6-1-71124	Upper Feed Roller (For 9mm)	1	
2	T6-1-71130	Upper Feed Roller Shaft	1	
3	T6-1-71140	Feed Roller	1	
	T6-1-71140S	Feed Roller (Stainless Steel Model)	1	
4	T6-1-71150	Lever Holder	1	
5	T6-1-71160	Feed Roller Pulley	1	
6	T6-1-71170	Feed Shooter (For 12mm)	1	
	T6-1-71170S	Feed Shooter (For 12mm) (Stainless Steel Model)	1	
	T6-1-71171	Feed Shooter (For 9mm)	1	
	T6-1-71171S	Feed Shooter (For 9mm) (Stainless Steel Model)	1	
7	T6-1-71180	Feed Shooter Cover	1	
	T6-1-71180S	Feed Shooter Cover (Stainless Steel Model)	1	
8	T6-1-71193	Upper Feed Roller Ass'y (For 12mm)	1	
	T6-1-71194	Upper Feed Roller Ass'y (For 9mm)	1	
13	BR628ZZ	Bearing, 628ZZ	1	
14	BR6202ZZ	Bearing, 6202ZZ	4	
15	RR24	Snap Ring, H-24	2	
16	RR35	Snap Ring, H-35	4	
17	ER12	Snap Ring, E-12	1	
18	HBS0645H	HBS, M6x45 (H)	2	
	HBS0645HS	HBS, M6x45 (H)(Stainless Steel Model)	2	
19	HBS0615	HBS, M6x15	1	
20	HSS0615	HSS, M6x15	1	
21	HSS0610	HSS, M6x10	2	
22	PMS0610	PMS, M6x10	2	
	PMS0610S	PMS, M6x10 (Stainless Steel Model)	2	
23	HN06	HN, M6	2	

1-7-2 UPPER ADJUSTING WEIGHT SET T6-1-72000



REF. NO.	PART NO.	DESCRIPTION	Q'TY	REMARKS
1	T6-1-72110	Upper Adjusting Base	1	
2	T6-1-72120	Upper Adjusting Spring Hook	1	
3	T6-1-72130	Upper Adjusting Spring Rod	1	
4	T6-1-72140	Spring	1	
51	HBS0512	HBS, M5x12	2	
52	HN06	HN, M6	2	
53	SW05	SW, M5	2	

2

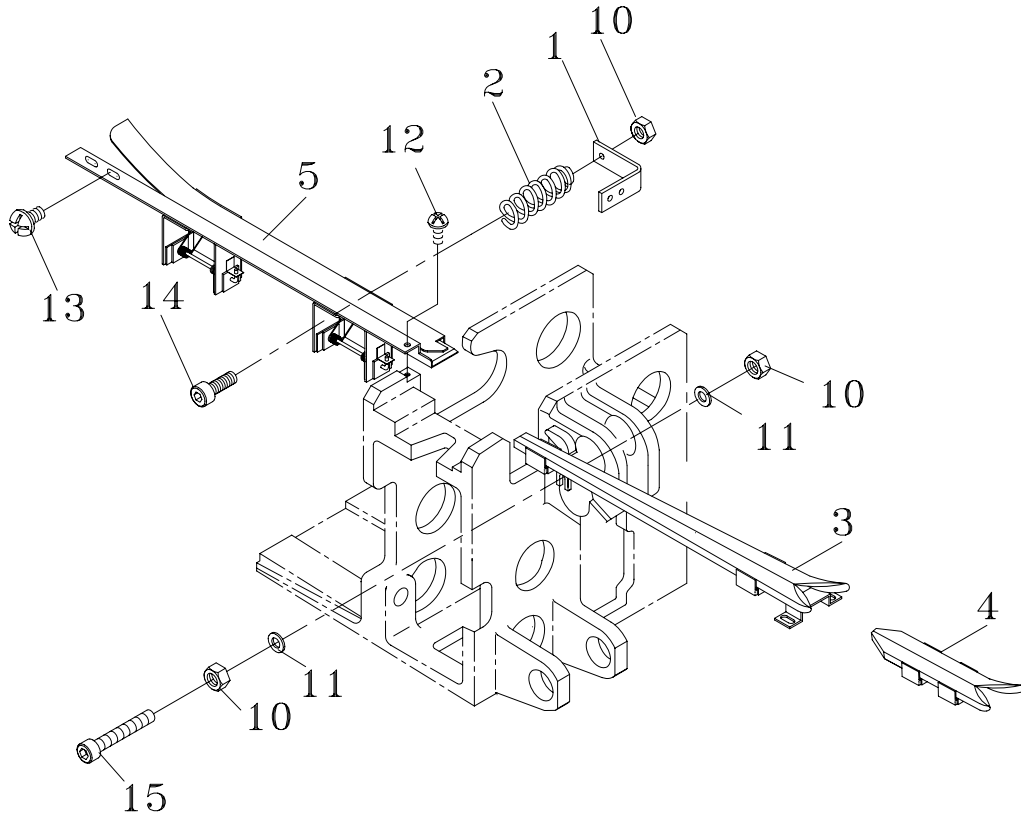
BANDWAY UNIT**T6-2-90002****T6-2-90004****T6-2-90005**

REF. NO.	PART NO.	DESCRIPTION	Q'TY	REMARKS
1	T6-2-90002	Bandway Unit (For TP-601B)	1	
	T6-2-90004	Bandway Unit (For TP-601BP)	1	
	T6-2-90005	Bandway Unit (For TP-601A)	1	
	T6-2-10002	Bandway Group (For TP-601B/TP-601BP) (For 12mm)	1	SEE PAGE 28
	T6-2-10005	Bandway Group (For TP-601B/TP-601BP) (For 9mm)	1	SEE PAGE 28
2	T6-2-10006	Bandway Group (For TP-601A, 12mm)	1	SEE PAGE 28
	T6-2-10007	Bandway Group (For TP-601A, 9mm)	1	SEE PAGE 28
	T6-2-20000	Chute Arch Group (For TP-601A/B)	1	SEE PAGE 33
	T6-2-20001	Chute Arch Group (For TP-601BP)	1	SEE PAGE 33

2-1

BANDWAY GROUP

T6-2-10002
T6-2-10005



REF. NO.	PART NO.	DESCRIPTION	QTY	REMARKS
1	T6-2-10002	Bandway Group (For TP-601B/BP) (For 12mm)	1	
	T6-2-10005	Bandway Group (For TP-601B/BP, 9mm)	1	
	T6-2-10006	Bandway Group (For TP-601A, 12mm)	1	
	T6-2-10007	Bandway Group (For TP-601A, 9mm)	1	
	T6-1-20180	Flap Connecting Spring Bracket (For TP-601B/BP)	1	
	T6-1-20182	Flap Connecting Spring Bracket (For TP-601A)	1	
	2	T6-2-10130	LH Bandway Stop Spring	
3	T6-2-11000	RH Bandway Ass'y (For 12mm)	1	SEE PAGE 30
	T6-2-11001	RH Bandway Ass'y (For 9mm)	1	

2-1**BANDWAY GROUP****T6-2-10002****T6-2-10005**

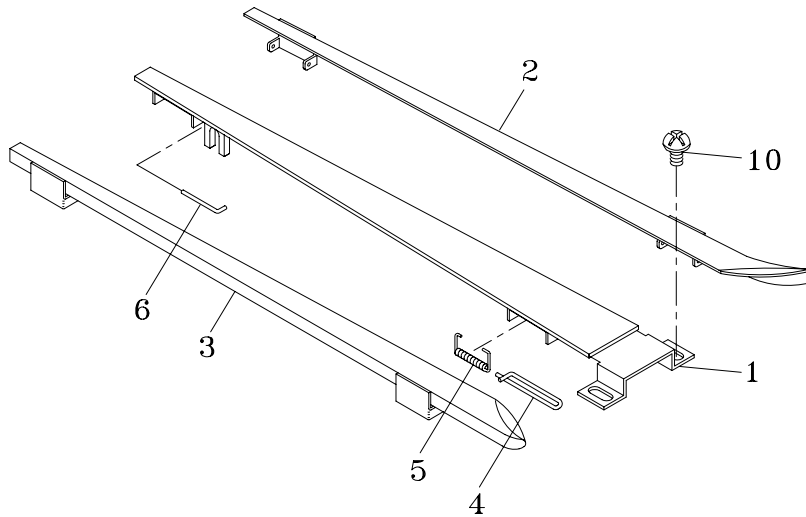
REF. NO.	PART NO.	DESCRIPTION	Q'TY	REMARKS
4	T6-2-11020	RH Bandway Ass'y (For TP-601B/BP, 1250W)	1	
5	T6-2-12000	LH Bandway Ass'y (For 850W, 12mm) (For TP-601A)	1	SEE PAGE 32
	T6-2-12001	LH Bandway Ass'y (For 850W, 9mm) (For TP-601A)	1	SEE PAGE 32
	T6-2-12020	LH Bandway Ass'y (For 1050W, 12mm) (For TP-601A)	1	
	T6-2-12021	LH Bandway Ass'y (For 1050W, 9mm) (For TP-601A)	1	
	T6-2-12030	LH Bandway Ass'y (For 1250W, 12mm) (For TP-601A)	1	
	T6-2-12031	LH Bandway Ass'y (For 1250W, 9mm) (For TP-601A)	1	
	T6-2-13000	LH Bandway Ass'y (For 850W, 12mm) (For TP-601B/601BP)	1	SEE PAGE 32
	T6-2-13001	LH Bandway Ass'y (For 850W, 9mm) (For TP-601B/601BP)	1	SEE PAGE 32
	T6-2-13010	LH Bandway Ass'y (For 1050W, 1250W, 12mm) (For TP-601B/601BP)	1	
	T6-2-13011	LH Bandway Ass'y (For 1050W, 1250W, 9mm) (For TP-601B/601BP)	1	
10	HN06	HN, M6	3	
11	PW06A	PW, M6 (A)	2	
12	TMS0508	TMS, M5x8	1	
13	TMS0608	TMS, M6x8	2	
14	HBS0615	HBS, M6x15	1	
15	HBS0650	HBS, M6x50 (For TP-601B/BP)	1	
	HBS0640	HBS, M6x40 (For TP-601A)	1	

2-1-1

RH BANDWAY ASS'Y

T6-2-11000

T6-2-11001



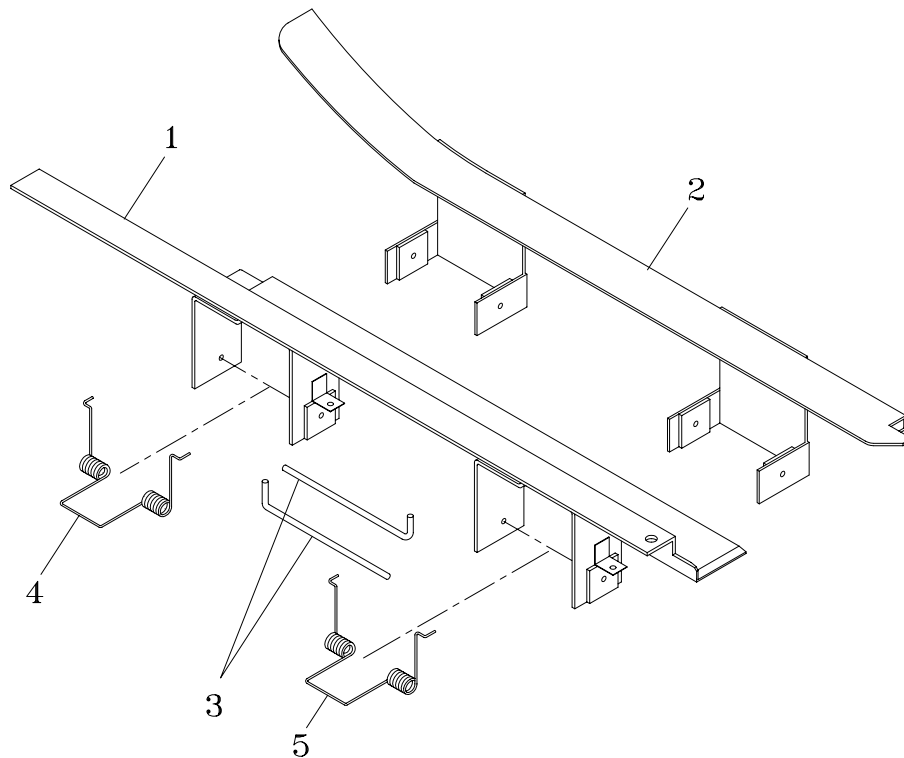
REF. NO.	PART NO.	DESCRIPTION	Q'TY	REMARKS
	T6-2-11000	RH Bandway Ass'y (For 12mm)	1	
	T6-2-11001	RH Bandway Ass'y (For 9mm)	1	
1	T6-2-11110	RH Bandway (For 12mm)	1	
	T6-2-11111	RH Bandway (For 9mm)	1	
2	T6-2-11120	RH Bandway Rear Flap (For 12mm)	1	
	T6-2-11121	RH Bandway Rear Flap (For 9mm)	1	
3	T6-2-11130	RH Bandway Front Flap (For 12mm)	1	
	T6-2-11131	RH Bandway Front Flap (For 9mm)	1	
4	T6-2-11140	RH Bandway Flap Pin (Rear)	2	
5	T6-2-11150	RH Bandway Flap Spring	2	
6	T6-2-11160	RH Bandway Flap Pin (Front)	2	
10	TMS0608	TMS, M6x8	2	

2-1-2

LH BANDWAY ASS'Y

T6-2-12000

T6-2-13000



REF. NO.	PART NO.	DESCRIPTION	Q'TY	REMARKS
1	T6-2-12000	LH Bandway Ass'y (For TP-601A, 12mm)	1	
	T6-2-12001	LH Bandway Ass'y (For TP-601A, 9mm)	1	
	T6-2-13000	LH Bandway Ass'y (For TP-601B/ TP-601BP, 12mm)	1	
	T6-2-13001	LH Bandway Ass'y (For TP-601B/ TP-601BP, 9mm)	1	
	T6-2-12110	LH Bandway (For 850W, 12mm) (For TP-601A)	1	
	T6-2-12200	LH Bandway (For 850W, 9mm) (For TP-601A)	1	
	T6-2-12112	LH Bandway (For 1050W, 12mm) (For TP-601A)	1	
	T6-2-12202	LH Bandway (For 1050W, 9mm) (For TP-601A)	1	
	T6-2-12113	LH Bandway (For 1250W, 12mm) (For TP-601A)	1	
T6-2-12203	LH Bandway (For 1250W, 9mm) (For TP-601A)	1		

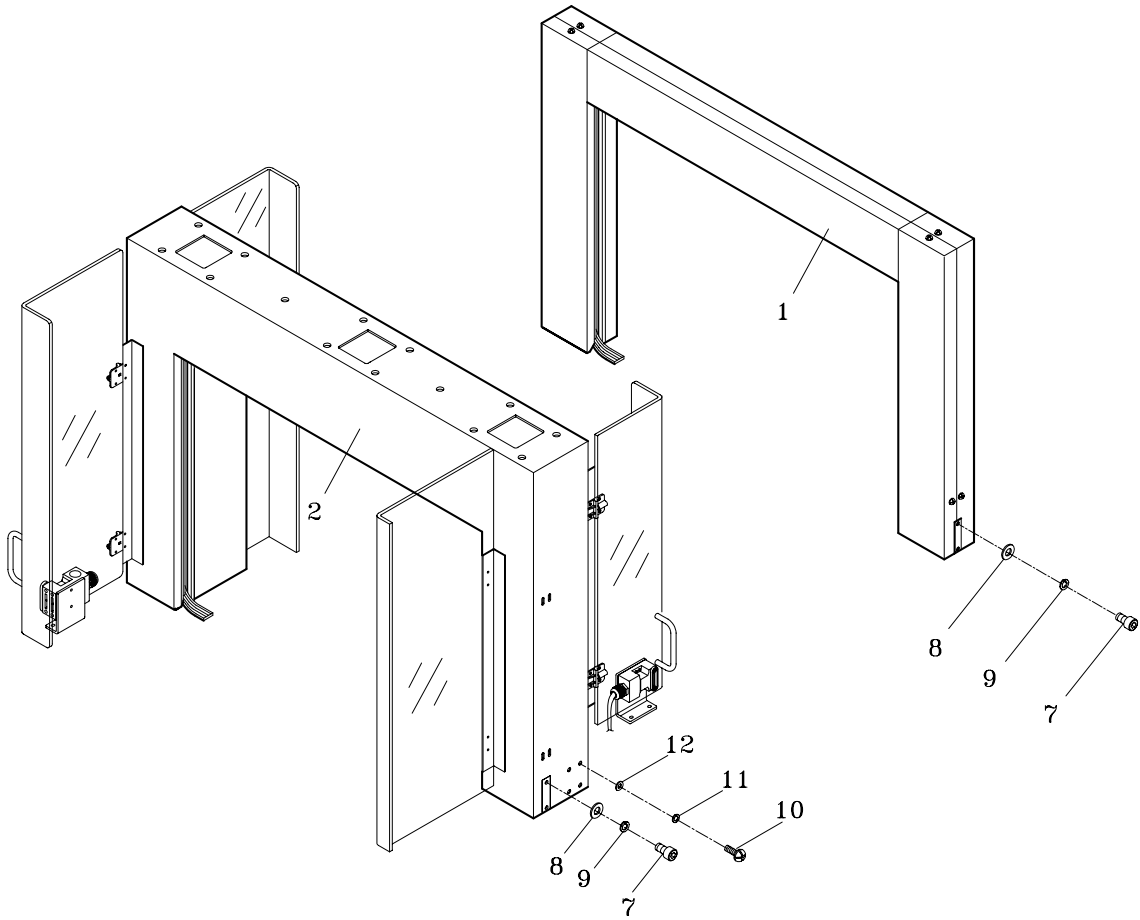
2-1-2**LH BANDWAY ASS'Y****T6-2-12000****T6-2-13000**

REF. NO.	PART NO.	DESCRIPTION	Q'TY	REMARKS
	T6-2-13110	LH Bandway (For 850W, 12mm) (For TP-601B/TP-601BP)	1	
	T6-2-13200	LH Bandway (For 850W, 9mm) (For TP-601B/TP-601BP)	1	
	T6-2-13111	LH Bandway (For 1050, 1250W, 12mm) (TP-601B/TP-601BP)	1	
	T6-2-13201	LH Bandway (For 1050, 1250W, 9mm) (For TP-601B/TP-601BP)	1	
2	T6-2-12120	LH Bandway Flap (For 850W, 12mm)	1	
	T6-2-12210	LH Bandway Flap (For 850W, 9mm)	1	
	T6-2-12122	LH Bandway Flap (For 1050W, 12mm)	1	
	T6-2-12212	LH Bandway Flap (For 1050W, 9mm)	1	
	T6-2-12123	LH Bandway Flap (For 1250W, 12mm)	1	
	T6-2-12213	LH Bandway Flap (For 1250W, 9mm)	1	
3	T6-2-12130	LH Bandway Flap Pin (For 850W~1050W)	2	
		LH Bandway Flap Pin (For 1250W)	3	
4	T6-2-12140	LH Bandway Flap Spring (For 850W~1050W)	1	
		LH Bandway Flap Spring (For 1250W)	2	
5	T6-2-12150	LH Bandway Flap Spring	1	

2-2

CHUTE ARCH GROUP

T6-2-20000

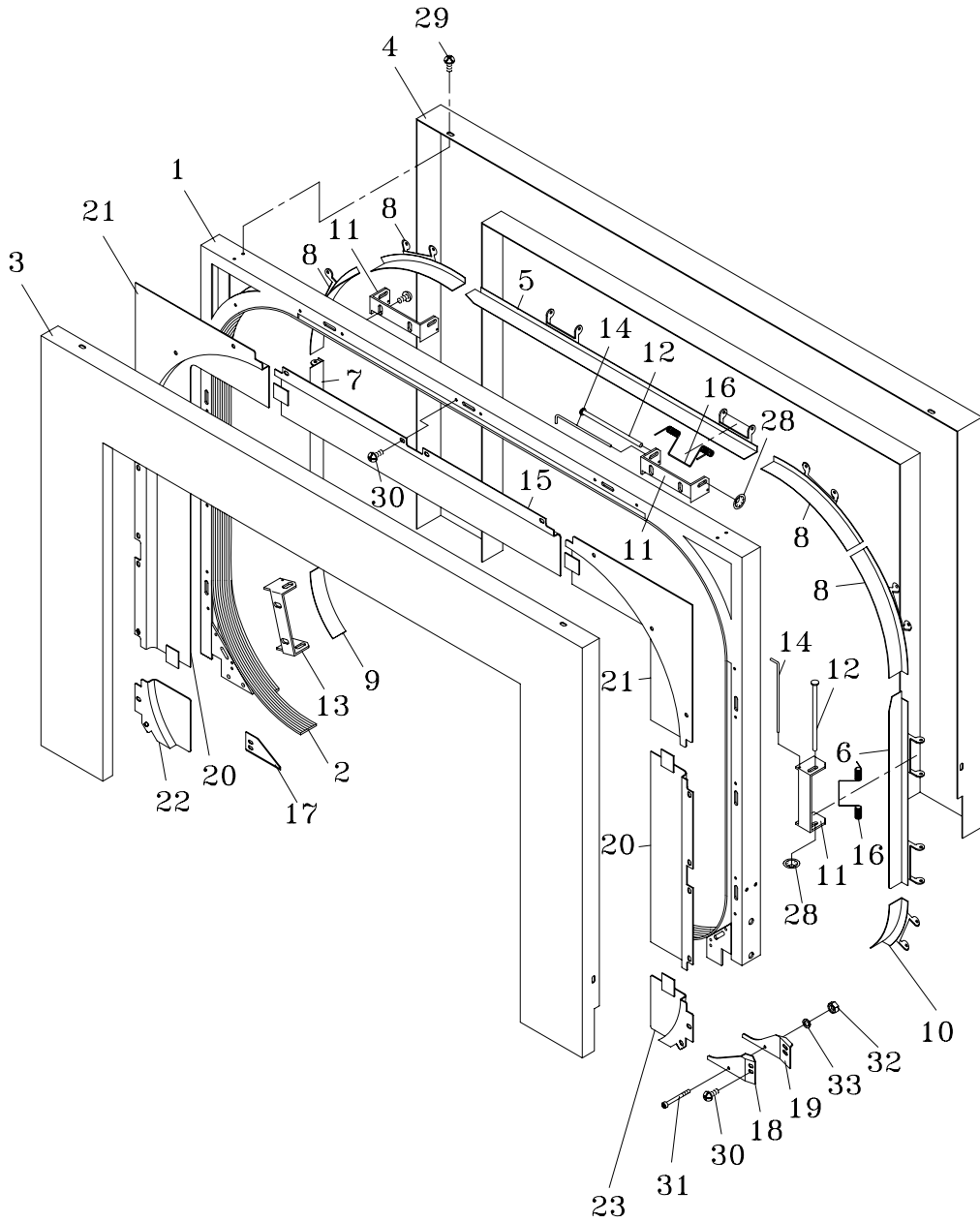


REF. NO.	PART NO.	DESCRIPTION	Q'TY	REMARKS
	T6-2-20000	Chute Arch Group (For TP-601A/B)	1	
	T6-2-20001	Chute Arch Group (For TP-601BP)	1	
1	T6-2-21000	Arch Ass'y (For TP-601A/B)	1	SEE PAGE 34
2	T6-2-22000	Arch Ass'y (For TP-601BP)	1	SEE PAGE 38
7	HBS0816	HBS, M8 x16	4	
	HBS0816S	HBS, M8 x16 (Stainless Steel Model)	4	
8	PW08A	PW, M8 (A)	4	
	PW08AS	PW, M8 (A) (Stainless Steel Model)	4	
9	SW08	SW, M8	4	
	SW08S	SW, M8 (Stainless Steel Model)	4	
10	TMS0612	TMS, M6x12	8	
11	TMS0612S	TMS, M6x12 (Stainless Steel Model)	8	
	SW06	SW, M6	8	
	SW06S	SW, M6 (Stainless Steel Model)	8	
12	PW06A	PW, M6 (A)	8	
	PW06AS	PW, M6 (A) (Stainless Steel Model)	8	

2-2-1

ARCH ASS'Y

T6-2-21000



2-2-1**ARCH ASS'Y****T6-2-21000**

REF. NO.	PART NO.	DESCRIPTION	Q'TY	REMARKS
1	T6-2-20110	Arch Frame (For 850W x 600H)	1	
	T6-2-20110S	Arch Frame (For 850W x 600H) (Stainless Steel Model)	1	
2	T6-2-20120	Arch Bandway (For 850W x 600H)	1	
3	T6-2-20130	Arch Cover, Front (For 850W x 600H)	1	
	T6-2-20130S	Arch Cover, Front (For 850W x 600H) (Stainless Steel Model)	1	
4	T6-2-20140	Arch Cover, Rear (For 850W x 600H)	1	
	T6-2-20140S	Arch Cover, Rear (For 850W x 600H) (Stainless Steel Model)	1	
5	T6-2-20150	Upper Guide Rail (For 850W)	1	
	T6-2-20150S	Upper Guide Rail (For 850W) (Stainless Steel Model)	1	
	T6-2-20151	Upper Guide Rail (For 1050W)	1	
	T6-2-20151S	Upper Guide Rail (For 1050W) (Stainless Steel Model)	1	
	T6-2-20152	Upper Guide Rail (For 1250W)	1	
	T6-2-20152S	Upper Guide Rail (For 1250W) (Stainless Steel Model)	1	
6	T6-2-20160	RH Side Guide Rail (For 600H)	1	
	T6-2-20160S	RH Side Guide Rail (For 600H) (Stainless Steel Model)	1	
	T6-2-20161	RH Side Guide Rail (For 800H)	1	
	T6-2-20161S	RH Side Guide Rail (For 800H) (Stainless Steel Model)	1	
	T6-2-20162	RH Side Guide Rail (For 1000H)	1	
	T6-2-20162S	RH Side Guide Rail (For 1000H) (Stainless Steel Model)	1	
	T6-2-20169	RH Side Guide Rail (For 400H)	1	
T6-2-20169S	RH Side Guide Rail (For 400H) (Stainless Steel Model)	1		
7	T6-2-20170	LH Side Guide Rail (For 600H)	1	
	T6-2-20170S	LH Side Guide Rail (For 600H) (Stainless Steel Model)	1	
	T6-2-20171	LH Side Guide Rail (For 800H)	1	
	T6-2-20171S	LH Side Guide Rail (For 800H) (Stainless Steel Model)	1	
	T6-2-20172	LH Side Guide Rail (For 1000H)	1	
	T6-2-20172S	LH Side Guide Rail (For 1000H)	1	

2-2-1**ARCH ASS'Y****T6-2-21000**

REF. NO.	PART NO.	DESCRIPTION	Q'TY	REMARKS
		(Stainless Steel Model)		
	T6-2-20179	LH Side Guide Rail (For 400H)	1	
	T6-2-20179S	LH Side Guide Rail (For 400H)	1	
		(Stainless Steel Model)		
8	T6-2-20180	Corner Guide Rail, Upper	4	
	T6-2-20180S	Corner Guide Rail, Upper (Stainless Steel Model)	4	
9	T6-2-20190	Corner Guide Rail, Lower (LH)	1	
	T6-2-20190S	Corner Guide Rail, Lower (LH)	1	
		(Stainless Steel Model)		
10	T6-2-20200	Corner Guide Rail, Lower (RH)	1	
	T6-2-20200S	Corner Guide Rail, Lower (RH)	1	
		(Stainless Steel Model)		
11	T6-2-20210	Guide Rail Hinge (1)	11	
12	T6-2-20220	K-Type Guide Rail Hinge Shaft	12	
13	T6-2-20230	Guide Rail Hinge (2)	1	
14	T6-2-20240	Guide Rail Hinge Shaft	11	
15	T6-2-20340	Back Guide Plate, Upper (For 850W)	1	
	T6-2-20340S	Back Guide Plate, Upper (For 850W)	1	
		(Stainless Steel Model)		
	T6-2-20341	Back Guide Plate, Upper (For 1050W)	1	
	T6-2-20341S	Back Guide Plate, Upper (For 1050W)	1	
		(Stainless Steel Model)		
	T6-2-20342	Back Guide Plate, Upper (For 1250W)	1	
	T6-2-20342S	Back Guide Plate, Upper (For 1250W)	1	
		(Stainless Steel Model)		
16	T6-2-21250	Arch Guide Rail Spring	11	
17	T6-2-21260	Guiding Angle, LH Front	1	
	T6-2-21260S	Guiding Angle, LH Front (Stainless Steel Model)	13	
18	T6-2-21280	Guiding Angle, RH Front	1	
	T6-2-21280S	Guiding Angle, RH Front	1	
		(Stainless Steel Model)		
19	T6-2-21290	Guiding Angle, RH Rear	1	
	T6-2-21290S	Guiding Angle, RH Rear	1	
		(Stainless Steel Model)		
20	T6-2-21350	Back Guide Plate, Side (For 600H)	2	
	T6-2-21350S	Back Guide Plate, Side (For 600H)	2	
		(Stainless Steel Model)		
	T6-2-21351	Back Guide Plate, Side (For 800H)	2	

2-2-1

ARCH ASS'Y

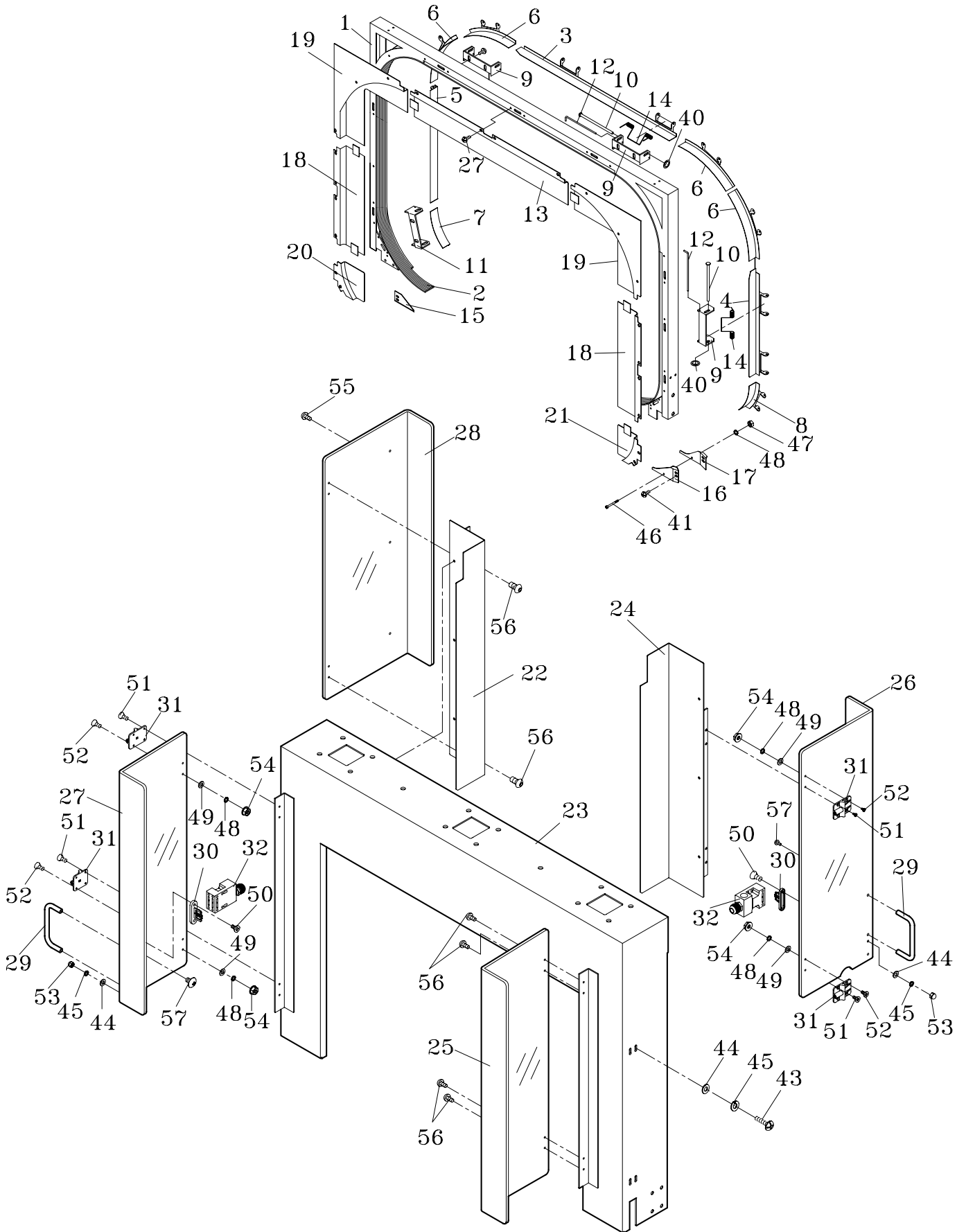
T6-2-21000

REF. NO.	PART NO.	DESCRIPTION	Q'TY	REMARKS
	T6-2-21351S	Back Guide Plate, Side (For 800H) (Stainless Steel Model)	2	
	T6-2-21352	Back Guide Plate, Side (For 1000H)	2	
	T6-2-21352S	Back Guide Plate, Side (For 1000H) (Stainless Steel Model)	2	
	T6-2-21359	Back Guide Plate, Side (For 400H)	2	
	T6-2-21359S	Back Guide Plate, Side (For 400H) (Stainless Steel Model)	2	
	T6-2-21353	Back Guide Plate, Side (For 1200H)	2	
	T6-2-21353S	Back Guide Plate, Side (For 1200H) (Stainless Steel Model)	2	
21	T6-2-21360	Back Guide Plate, Corner Upper	2	
	T6-2-21360S	Back Guide Plate, Corner Upper (Stainless Steel Model)	2	
22	T6-2-21370	Back Guide Plate, LH Lower	1	
	T6-2-21370S	Back Guide Plate, LH Lower (Stainless Steel Model)	1	
23	T6-2-21380	Back Guide Plate, RH Lower	1	
	T6-2-21380S	Back Guide Plate, RH Lower (Stainless Steel Model)	1	
28	PN04	PN, ϕ 4	12	
	PN04S	PN, ϕ 4 (SUS) (OPTION)	12	
29	TMS0508S	TMS, M5x8 (SUS)	8	
30	TMS0408	TMS, M4x8	72	
31	HBS0440H	HBS, M4x40 (H)	1	
32	HN04	HN, M4	1	
33	SW04	SW, M4	1	

2-2-2

ARCH ASS'Y (For TP-601BP)

T6-2-22000



2-2-2

**ARCH ASS'Y
(For TP-601BP)**

T6-2-22000

REF. NO.	PART NO.	DESCRIPTION	Q'TY	REMARKS
1	T6-2-20110	Arch Frame (For 850W x 600H)	1	
2	T6-2-20120	Arch Bandway (For 850W x 600H)	1	
3	T6-2-20150	Upper Guide Rail (For 850W)	1	
	T6-2-20150S	Upper Guide Rail (For 850W) (Stainless Steel Model)	1	
	T6-2-20151	Upper Guide Rail (For 1050W)	1	
	T6-2-20151S	Upper Guide Rail (For 1050W) (Stainless Steel Model)	1	
	T6-2-20152	Upper Guide Rail (For 1250W)	1	
	T6-2-20152S	Upper Guide Rail (For 1250W) (Stainless Steel Model)	1	
4	T6-2-20160	RH Side Guide Rail (For 600H)	1	
	T6-2-20160S	RH Side Guide Rail (For 600H) (Stainless Steel Model)	1	
	T6-2-20161	RH Side Guide Rail (For 800H)	1	
	T6-2-20161S	RH Side Guide Rail (For 800H) (Stainless Steel Model)	1	
	T6-2-20162	RH Side Guide Rail (For 1000H)	1	
	T6-2-20162S	RH Side Guide Rail (For 1000H) (Stainless Steel Model)	1	
	T6-2-20169	RH Side Guide Rail (For 400H)	1	
	T6-2-20169S	RH Side Guide Rail (For 400H) (Stainless Steel Model)	1	
5	T6-2-20170	LH Side Guide Rail (For 600H)	1	
	T6-2-20170S	LH Side Guide Rail (For 600H) (Stainless Steel Model)	1	
	T6-2-20171	LH Side Guide Rail (For 800H)	1	
	T6-2-20171S	LH Side Guide Rail (For 800H) (Stainless Steel Model)	1	
	T6-2-20172	LH Side Guide Rail (For 800H)	1	
	T6-2-20172S	LH Side Guide Rail (For 1000H) (Stainless Steel Model)	1	
	T6-2-20179	LH Side Guide Rail (For 400H)	1	
	T6-2-20179S	LH Side Guide Rail (For 400H) (Stainless Steel Model)	1	
6	T6-2-20180	Corner Guide Rail, Upper	4	
	T6-2-20180S	Corner Guide Rail, Upper (Stainless Steel Model)	4	

2-2-2

ARCH ASS'Y
(For TP-601BP)

T6-2-22000

REF. NO.	PART NO.	DESCRIPTION	Q'TY	REMARKS
7	T6-2-20190	Corner Guide Rail, Lower (LH)	1	
	T6-2-20190S	Corner Guide Rail, Lower (LH) (Stainless Steel Model)	1	
8	T6-2-20200	Corner Guide Rail, Lower (RH)	1	
	T6-2-20200S	Corner Guide Rail, Lower (RH) (Stainless Steel Model)	1	
9	T6-2-20210	Guide Rail Hinge (1)	11	
10	T6-2-20220	K-Type Guide Rail Hinge Shaft	12	
11	T6-2-20230	Guide Rail Hinge (2)	1	
12	T6-2-20240	Guide Rail Hinge Shaft	11	
13	T6-2-20340	Back Guide Plate, Upper (For 850W)	1	
	T6-2-20340S	Back Guide Plate, Upper (For 850W) (Stainless Steel Model)	1	
	T6-2-20341	Back Guide Plate, Upper (For 1050W)	1	
	T6-2-20341S	Back Guide Plate, Upper (For 1050W) (Stainless Steel Model)	1	
	T6-2-20342	Back Guide Plate, Upper (For 1250W)	1	
	T6-2-20342S	Back Guide Plate, Upper (For 1250W) (Stainless Steel Model)	1	
14	T6-2-21250	Arch Guide Rail Spring	11	
15	T6-2-21260	Guiding Angle, LH Front	1	
	T6-2-21260S	Guiding Angle, LH Front (Stainless Steel Model)	1	
16	T6-2-21280	Guiding Angle, RH Front	1	
	T6-2-21280S	Guiding Angle, RH Front (Stainless Steel Model)	1	
17	T6-2-21290	Guiding Angle, RH Rear	1	
	T6-2-21290S	Guiding Angle, RH Rear (Stainless Steel Model)	1	
18	T6-2-21350	Back Guide Plate, Side (For 600H)	2	
	T6-2-21350S	Back Guide Plate, Side (For 600H) (Stainless Steel Model)	2	
	T6-2-21351	Back Guide Plate, Side (For 800H)	2	
	T6-2-21351S	Back Guide Plate, Side (For 800H) (Stainless Steel Model)	2	
	T6-2-21352	Back Guide Plate, Side (For 1000H)	2	
	T6-2-21352S	Back Guide Plate, Side (For 1000H) (Stainless Steel Model)	2	

2-2-2

ARCH ASS'Y
(For TP-601BP)

T6-2-22000

REF. NO.	PART NO.	DESCRIPTION	Q'TY	REMARKS
	T6-2-21359	Back Guide Plate, Side (For 400H)	2	
	T6-2-21359S	Back Guide Plate, Side (For 400H) (Stainless Steel Model)	2	
19	T6-2-21360	Back Guide Plate, Corner Upper	2	
	T6-2-21360S	Back Guide Plate, Corner Upper (Stainless Steel Model)	2	
20	T6-2-21370	Back Guide Plate, LH Lower	1	
	T6-2-21370S	Back Guide Plate, LH Lower (Stainless Steel Model)	1	
21	T6-2-21380	Back Guide Plate, RH Lower	1	
	T6-2-21380S	Back Guide Plate, RH Lower (Stainless Steel Model)	1	
22	T6-2-21689	LH Arch Cover (For 400H)	1	
	T6-2-21680	LH Arch Cover (For 600H)	1	
	T6-2-21681	LH Arch Cover (For 800H)	1	
	T6-2-21682	LH Arch Cover (For 1000H)	1	
23	T6-2-21670	Arch (For 850Wx600H)	1	
24	T6-2-21699	RH Arch Cover (For 400H)	1	
	T6-2-21690	RH Arch Cover (For 600H)	1	
	T6-2-21691	RH Arch Cover (For 800H)	1	
	T6-2-21692	RH Arch Cover (For 1000H)	1	
25	T6-2-22010	Safety Mask, Front Right (For 600~1000H)	1	
	T6-2-22011	Safety Mask, Front Right (For 400H)	1	
26	T6-2-22020	Safety Mask, Rear Right (For 600H~1000H)	1	
	T6-2-22021	Safety Mask, Rear Right (For 400H)	1	
27	T6-2-22030	Safety Mask, Front LH (For 600H~1000H)	1	
	T6-2-22031	Safety Mask, Front LH (For 400H)	1	
28	T6-2-22040	Safety Mask, Rear LH (For 600H~1000H)	1	
	T6-2-22041	Safety Mask, Rear LH (For 400H)	1	
29	T6-5-11150	Table Handle	2	
30	T7-5-10211	Switch Actuator-Adjustable	2	
31	T7-5-41450	Hinges	4	
32	TK-035	Interlock Safety Switch	2	

2-2-2

ARCH ASS'Y
(For TP-601BP)

T6-2-22000

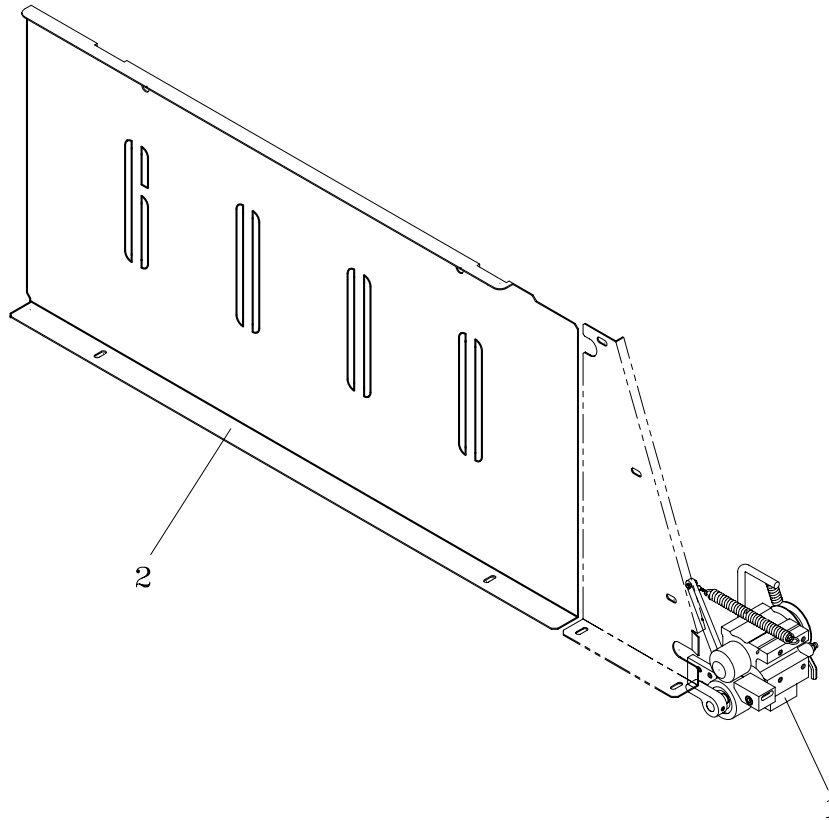
REF. NO.	PART NO.	DESCRIPTION	Q'TY	REMARKS
40	PN04	PN, ϕ 4	12	
	PN04S	PN, ϕ 4 (SUS) (OPTION)	12	
	PN04S	PN, ϕ 4 (Stainless Steel Model)	12	
41	TMS0408	TMS, M4x8	72	
42	TMS0508S	TMS, M5x8 (SUS)	6	
43	TMS0512	TMS, M5x12	8	
44	PW05	PW, M5	12	
45	SW05	SW, M5	12	
46	HBS0440H	HBS, M4x40 (H)	1	
47	HN04	HN, M4	1	
48	SW04	SW, M4	7	
49	PW04	PW, M4	6	
50	FMS0515	FMS, M5x35	4	
51	FMS0410	FMS, M4x10	8	
52	FMS0415	FMS, M4x20	8	
53	CAP05	CAP, M5	4	
54	FLG04	FLG, M4	8	
55	TMS0408	TMS, M4x8	8	
56	THS0416	THS, M4x16	8	
57	TMS0615	TMS, M6x15	4	

3

ACCUMULATOR UNIT

T6-3-90001

T6-3-90003



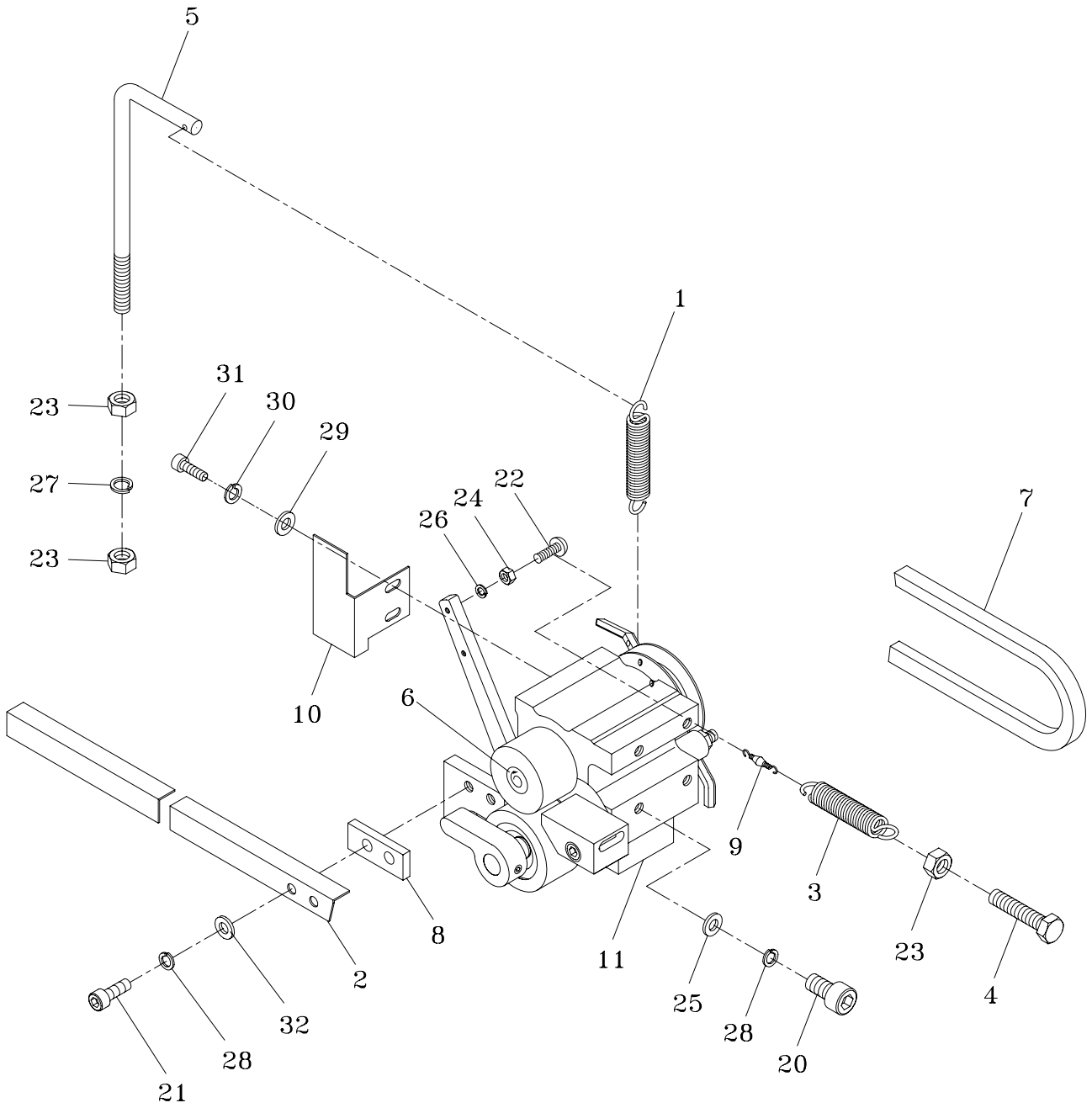
REF. NO.	PART NO.	DESCRIPTION	Q'TY	REMARKS
1	T6-3-90001	Accumulator Unit (For 12mm)	1	
	T6-3-90003	Accumulator Unit (For 9mm)	1	
2	T6-3-10001	Accumulator Group (For 12mm)	1	SEE PAGE 43
	T6-3-10002	Accumulator Group (For 9mm)	1	SEE PAGE 43
2	T6-3-20001	Accumulator Box Group (For 12 mm)	1	SEE PAGE 47
	T6-3-20002	Accumulator Box Group (For 9mm)	1	SEE PAGE 47

3-1

ACCUMULATOR GROUP

T6-3-10001

T6-3-10002



3-1**ACCUMULATOR GROUP****T6-3-10001****T6-3-10002**

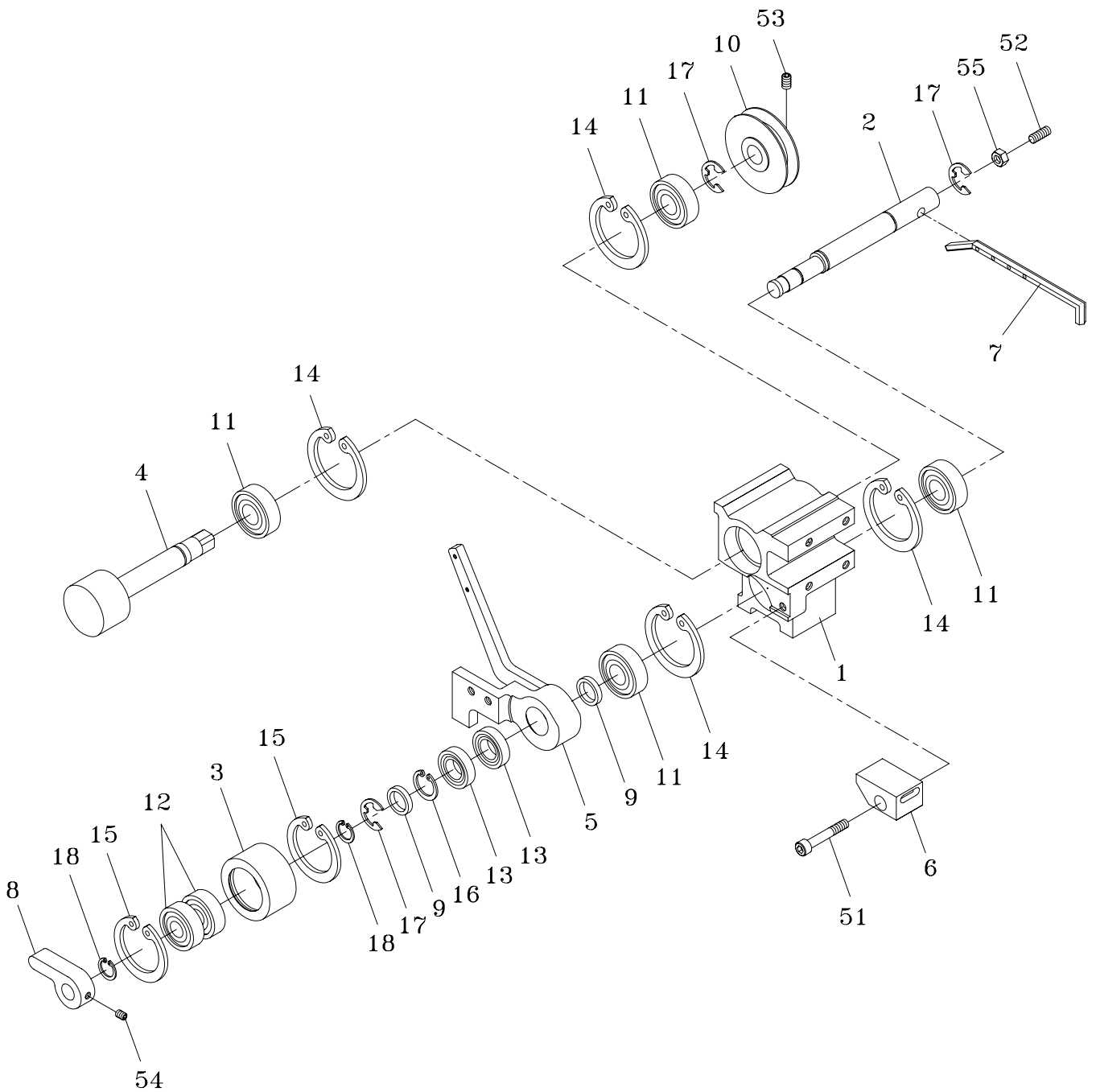
REF. NO.	PART NO.	DESCRIPTION	Q'TY	REMARKS
	T6-3-10001	Accumulator Group (For 12mm)	1	
	T6-3-10002	Accumulator Group (For 9mm)	1	
1	T6-1-72140	Spring	1	
2	T6-3-10110	Balance Bar (For 12mm)	1	
	T6-3-10111	Balance Bar (For 9mm)	1	
3	T6-3-10120	Accumulator Balance Spring	1	
4	T6-3-10130	Accumulator Adjusting Bolt	1	
	T6-3-10130S	Accumulator Adjusting Bolt (Stainless Steel Model)	1	
5	T6-3-10150	Accumulator Spring Adjusting	1	
6	T6-3-10170	Label (Direction)	1	
7	T6-3-10181	V-Belt, M-27	1	
8	T6-3-10190	Balance Bar Spacer (For 12mm)	1	
9	T6-3-10200	Twist Stopper	1	
10	T6-3-10321	Cover	1	
11	T6-3-12000	Accumulator Ass'y (For 12mm)	1	SEE PAGE 45
	T6-3-12001	Accumulator Ass'y (For 9mm)	1	
20	HBS0620	HBS, M6x20	4	
	HBS0620S	HBS, M6x20 (Stainless Steel Model)	4	
21	HBS0616	HBS, M6x16 (For 12mm)	2	
	HBS0612	HBS, M6x12 (For 9mm)	2	
22	PMS0315	PMS, M3x15	1	
23	HN08	HN, M8	3	
	HN08S	HN, M8 (Stainless Steel Model)	3	
24	HN03	HN, M3	1	
25	PW06C	PW, M6 (C)	4	
	PW06CS	PW, M6 (C)(Stainless Steel Model)	4	
26	PW03	PW, M3	1	
27	SW08	SW, M8	1	
28	SW06	SW, M6	6	
	SW06S	SW, M6 (Stainless Steel Model)	6	
29	PW05	PW, M5	2	
30	SW05	SW, M5	2	
31	HBS0510	HBS, M5x10	2	
32	PW06A	PW, M6 (A)	2	

3-1-1

ACCUMULATOR ASS'Y

T6-3-12000

T6-3-12001



3-1-1**ACCUMULATOR ASS'Y****T6-3-12000****T6-3-12001**

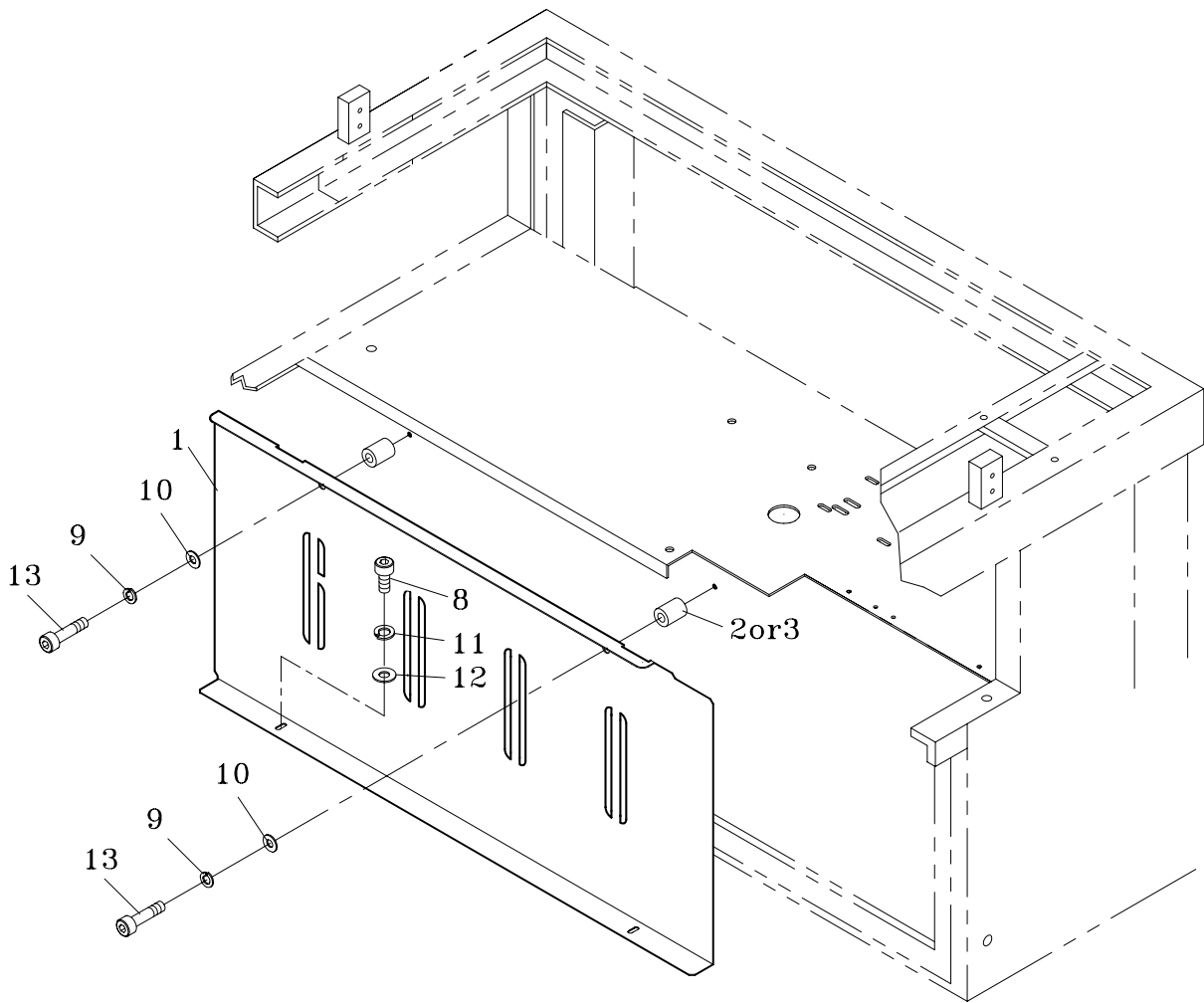
REF. NO.	PART NO.	DESCRIPTION	Q'TY	REMARKS
	T6-3-12000	Accumulator Ass'y (For 12mm)	1	
	T6-3-12001	Accumulator Ass'y (For 9mm)	1	
1	T6-3-11110	Accumulator Bearing Case	1	
2	T6-3-11120	Accumulator Lower Shaft	1	
3	T6-3-11130	Accumulator Lower Roller	1	
4	T6-3-11140	Accumulator Main Roller & Shaft	1	
5	T6-3-11150	Accumulator Balance Bar Holder	1	
6	T6-3-11160	Accumulator Feed Shooter (For 12mm)	1	
	T6-3-11161	Accumulator Feed Shooter (For 9mm)	1	
7	T6-3-12170	Accumulator Lower Shaft Spring Hook	1	
8	T6-3-11180	Knob	1	
9	T6-3-11190	Bearing Collar	2	
10	T6-1-71160	Feed Roller Pulley	1	
11	BR6202ZZ	Bearing, 6202ZZ	4	
12	BR6201ZZ	Bearing, 6201ZZ	2	
13	BR6902ZZ	Bearing, 6902ZZ	2	
14	RR35	Snap Ring, H-35	4	
15	RR32	Snap Ring, H-32	2	
16	RR28	Snap Ring, H-28	1	
17	ER12	Snap Ring, E-12	3	
18	SR12	Stop Ring, S-12	1	
51	HBS0635H	HBS, M6x35 (H)	1	
52	HSS0615	HSS, M6x15	1	
53	HSS0610	HSS, M6x10	2	
54	HSS0506	HSS, M5x6	1	
55	HN06	HN, M6	1	

3-2

ACCUMULATOR BOX GROUP

T6-3-20001

T6-3-20002



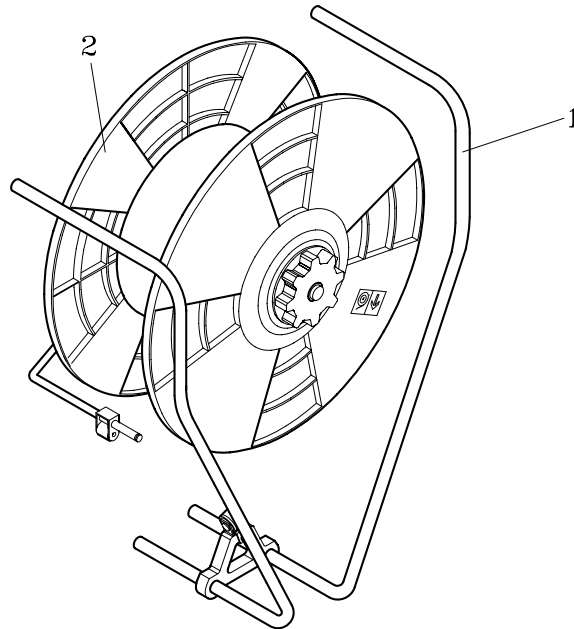
3-2**ACCUMULATOR BOX GROUP****T6-3-20001****T6-3-20002**

REF. NO.	PART NO.	DESCRIPTION	Q'TY	REMARKS
1	T6-3-20001	Accumulator Box Group (For 12mm)	1	
	T6-3-20002	Accumulator Box Group (For 9mm)	1	
	T6-3-20130	Accumulator Box Front, LH	1	
	T6-3-20130S	Accumulator Box Front, LH (Stainless Steel Model)	1	
2	T6-3-20150	Spacer 9 mm	2	
3	T6-3-20160	Spacer 12 mm	2	
8	HBS0508	HBS, M5x8	2	
	HBS0508S	HBS, M5x8 (Stainless Steel Model)	2	
9	SW04	SW, M4	2	
	SW04S	SW, M4 (Stainless Steel Model)	2	
10	PW04	PW, M4	2	
	PW04S	PW, M4 (Stainless Steel Model)	2	
11	SW05	SW, M5	2	
	SW05S	SW, M5 (Stainless Steel Model)	2	
12	PW05	PW, M5	2	
	PW05S	PW, M5 (Stainless Steel Model)	2	
13	HBS0430H	HBS, M4x30 (H)	2	
	HBS0430HS	HBS, M4x30 (H) (Stainless Steel Model)	2	

4

REEL UNIT

T6-4-90000

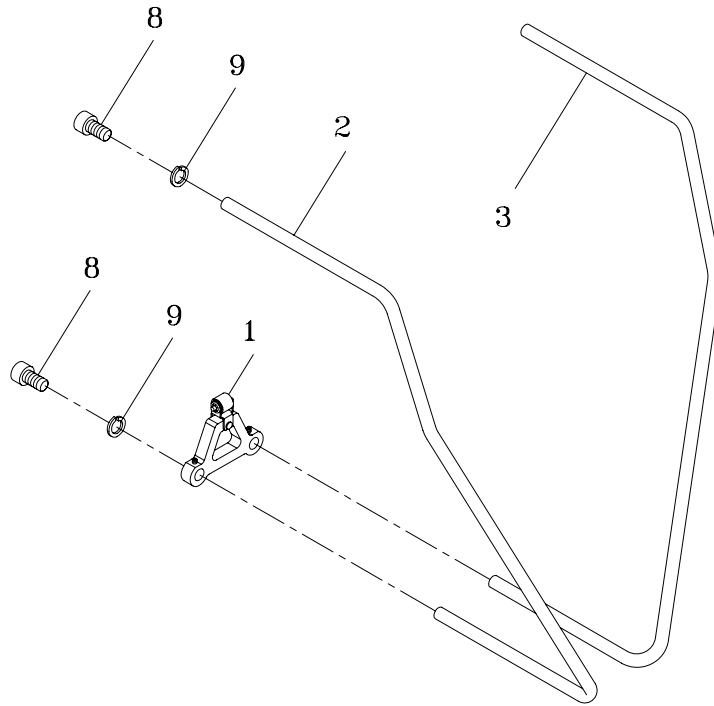


REF. NO.	PART NO.	DESCRIPTION	Q'TY	REMARKS
	T6-4-90000	Reel Unit	1	
1	T6-4-10000	Reel Guard Group	1	SEE PAGE 50
2	T6-4-20000	Reel Control Group	1	SEE PAGE 52

4-1

REEL GUARD GROUP

T6-4-10000

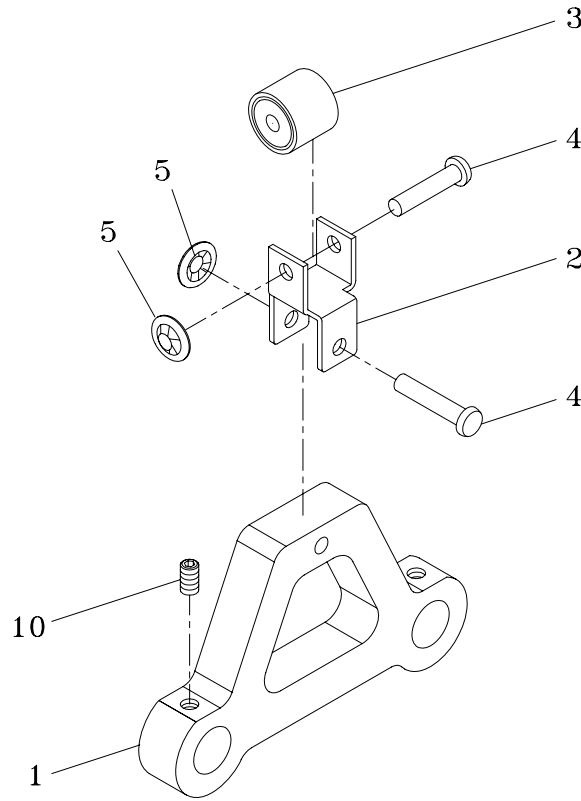


REF. NO.	PART NO.	DESCRIPTION	Q'TY	REMARKS
1	T6-4-11000	Free Angle Bracket Holder Ass'y	1	SEE PAGE 51
2	T6-4-10530	Reel Guard (Front)	1	
	T6-4-10530S	Reel Guard (Front) (Stainless Steel Model)	1	
3	T6-4-10540	Reel Guard (Rear)	1	
	T6-4-10540S	Reel Guard (Rear) (Stainless Steel Model)	1	
8	HBS1020	HBS, M10x20	4	
	HBS1020S	HBS, M10x20 (Stainless Steel Model)	4	
9	SW10	SW, M10	4	
	SW10S	SW, M10 (Stainless Steel Model)	4	

4-1-1

**FREE ANGLE BRACKET
HOLDER ASS'Y**

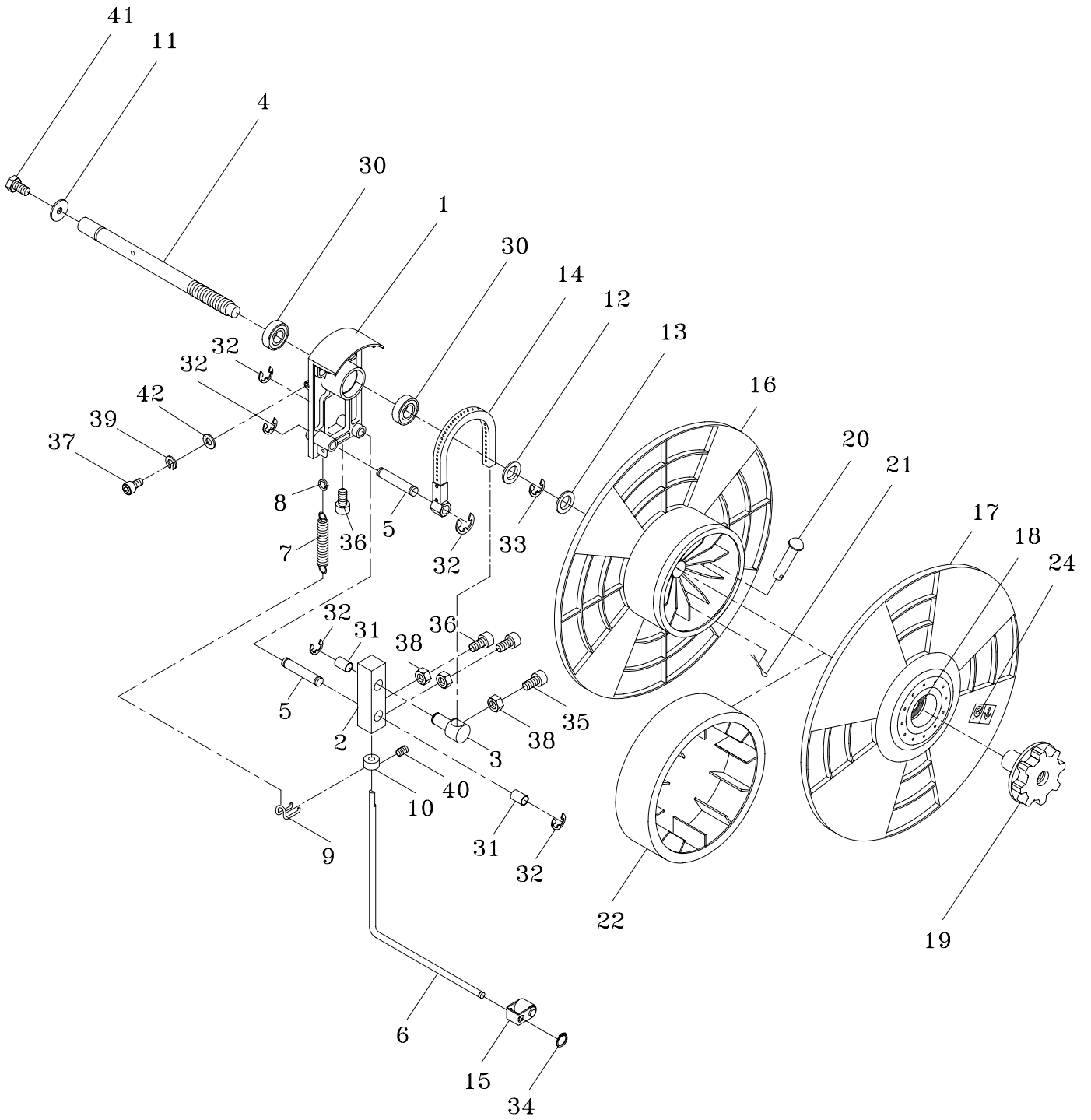
T6-4-11000



REF. NO.	PART NO.	DESCRIPTION	Q'TY	REMARKS
1	T6-4-11110	Free Angle Bracket Holder	1	
2	T6-4-11120	Free Angle Roller Bracket	1	
3	T6-4-11130	Strap Guide Roller	1	
4	T6-4-11140	Rivet, § 6x30	2	
5	PN06	PN, § 6	2	
	PN06S	PN, § 6 (Stainless Steel Model)	2	
10	HSS0610	HSS, M6x10	2	
	HSS0610S	HSS, M6x10 (Stainless Steel Model)	2	

4-2

REEL CONTROL GROUP T6-4-20000



4-2

REEL CONTROL GROUP

T6-4-20000

REF. NO.	PART NO.	DESCRIPTION	Q'TY	REMARKS
1	T6-4-20110	Reel Unit Base	1	
2	T6-4-20130	Brake Tension Holder	1	
3	T6-4-20140	Brake Belt Tightener	1	
	T6-4-20140S	Brake Belt Tightener (Stainless Steel Model)	1	
4	T6-4-20150	Reel Shaft	1	
	T6-4-20150S	Reel Shaft (Stainless Steel Model)	1	
5	T6-4-20160	Holder Shaft	2	
	T6-4-20160S	Holder Shaft (Stainless Steel Model)	2	
6	T6-4-20170	Reel Brake Arm	1	
	T6-4-20170S	Reel Brake Arm (Stainless Steel Model)	1	
7	T6-4-20180	Brake Tension Arm Spring	1	
	T6-4-20180S	Brake Tension Arm Spring (Stainless Steel Model)	1	
8	T6-4-20190	Brake Tension Spring Ring	1	
9	T6-4-20260	Spring Hook	1	
10	T6-4-20270	Set Block	1	
	T6-4-20270S	Set Block (Stainless Steel Model)	1	
11	T6-4-20280	Washer	1	
	T6-4-20280S	Washer (Stainless Steel Model)	1	
12	T6-4-20290	Collar	1	
13	T6-4-20300	Collar	1	
14	T6-4-21000	Brake Belt Ass'y	1	SEE PAGE 55
15	T6-4-22000	Free Slide Roller Set	1	SEE PAGE 56
	T6-4-22000S	Free Slide Roller Set (Stainless Steel Model)	1	SEE PAGE 56
16	TC-013	Inner Flange	1	
17	TC-014	Outer Flange	1	
18	TC-015	Protector	1	
19	TC-016	Reel Nut Handle	1	
20	TC-020	Pin	1	
21	TC-021	Split Pin	1	
22	TC-075	Center Drum 280MM (OPTION)	1	
23	TE-096	Panel	1	
30	BR6205ZZ	Bearing, 6205ZZ	2	
31	MB1525	Metal Bush, 1525	2	
32	ER12	Snap Ring, E-12	5	
	ER12S	Snap Ring, E-12 (Stainless Steel Model)	5	

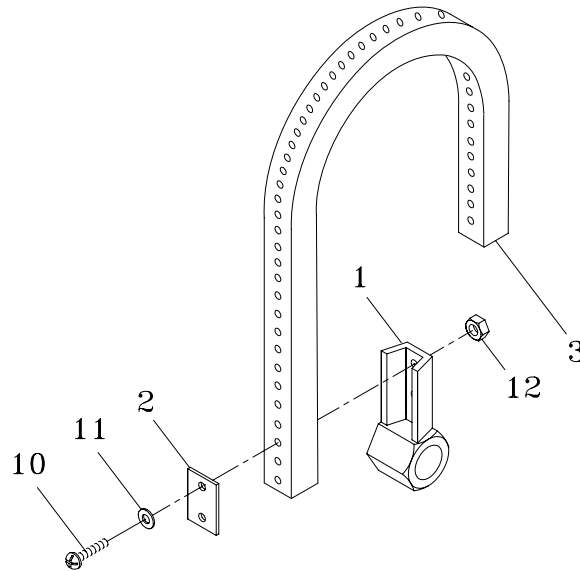
4-2 REEL CONTROL GROUP T6-4-20000

REF. NO.	PART NO.	DESCRIPTION	Q'TY	REMARKS
33	ER19	Snap Ring, E-19	1	
	ER19S	Snap Ring, E-19 (Stainless Steel Model)	1	
34	SR08	Stop Ring, S-8	1	
	SR08S	Stop Ring, S-8 (Stainless Steel Model)	1	
35	HBS0625	HBS, M6x25	1	
	HBS0625S	HBS, M6x25 (Stainless Steel Model)	1	
36	HBS0620	HBS, M6x20	3	
	HBS0620S	HBS, M6x20 (Stainless Steel Model)	3	
37	HBS0616	HBS, M6x16	2	
	HBS0616S	HBS, M6x16 (Stainless Steel Model)	2	
38	HN06	HN, M6	2	
	HN06S	HN, M6 (Stainless Steel Model)	2	
39	SW06	SW, M6	3	
	SW06S	SW, M6 (Stainless Steel Model)	3	
40	HSS0606	HSS, M6x6	1	
	HSS0606S	HSS, M6x6 (Stainless Steel Model)	1	
41	HB0816	HB, M8x16	1	
	HB0816S	HB, M8x16 (Stainless Steel Model)	1	
42	PW06A	PW, M6 (A)	1	
	PW06AS	PW, M6 (A) (Stainless Steel Model)	1	

4-2-1

BRAKE BELT ASS'Y

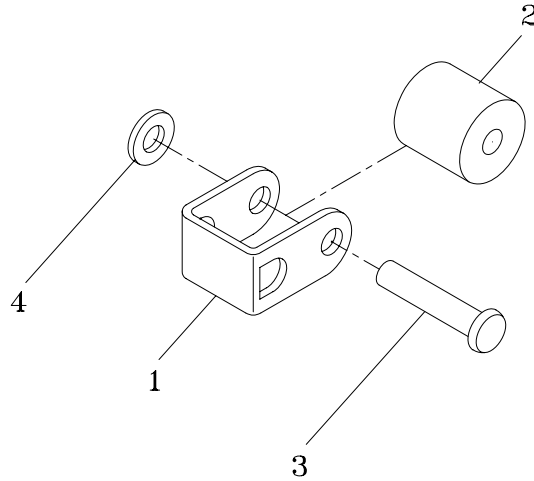
T6-4-21000



REF. NO.	PART NO.	DESCRIPTION	Q'TY	REMARKS
1	T6-4-21110	Brake Belt Holder	1	
	T6-4-21110S	Brake Belt Holder (Stainless Steel Model)	1	
2	T6-4-21120	Brake Holder Plate	1	
3	T6-4-21130	Brake V-Belt	1	
10	PMS0420	PMS, M4x20	2	
11	PW04	PW, M4	2	
12	HN04	HN, M4	2	

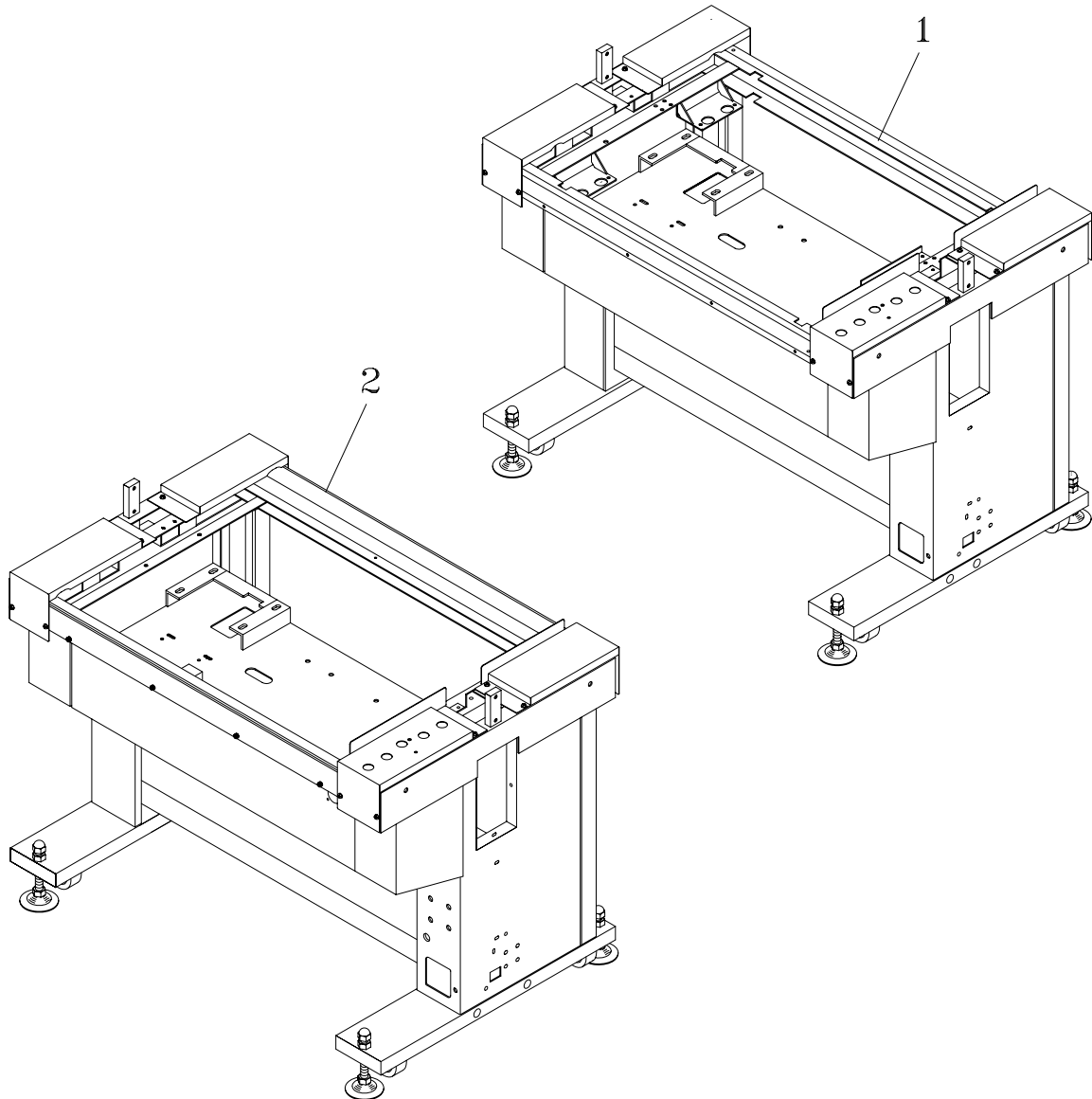
4-2-2

FREE SLIDE ROLLER SET T6-4-22000



REF. NO.	PART NO.	DESCRIPTION	Q'TY	REMARKS
1	T6-4-22110	Free Slide Roller Bracket	1	
	T6-4-22110S	Free Slide Roller Bracket (Stainless Steel Model)	1	
2	TE-028	Roller	1	
3	T6-4-11140	Rivet, ϕ 6x30	1	
	T6-4-11140S	Rivet, ϕ 6x30 (Stainless Steel Model)	1	
4	PN06	PN, ϕ 6	1	
	PN06S	PN, ϕ 6 (Stainless Steel Model)	1	

5

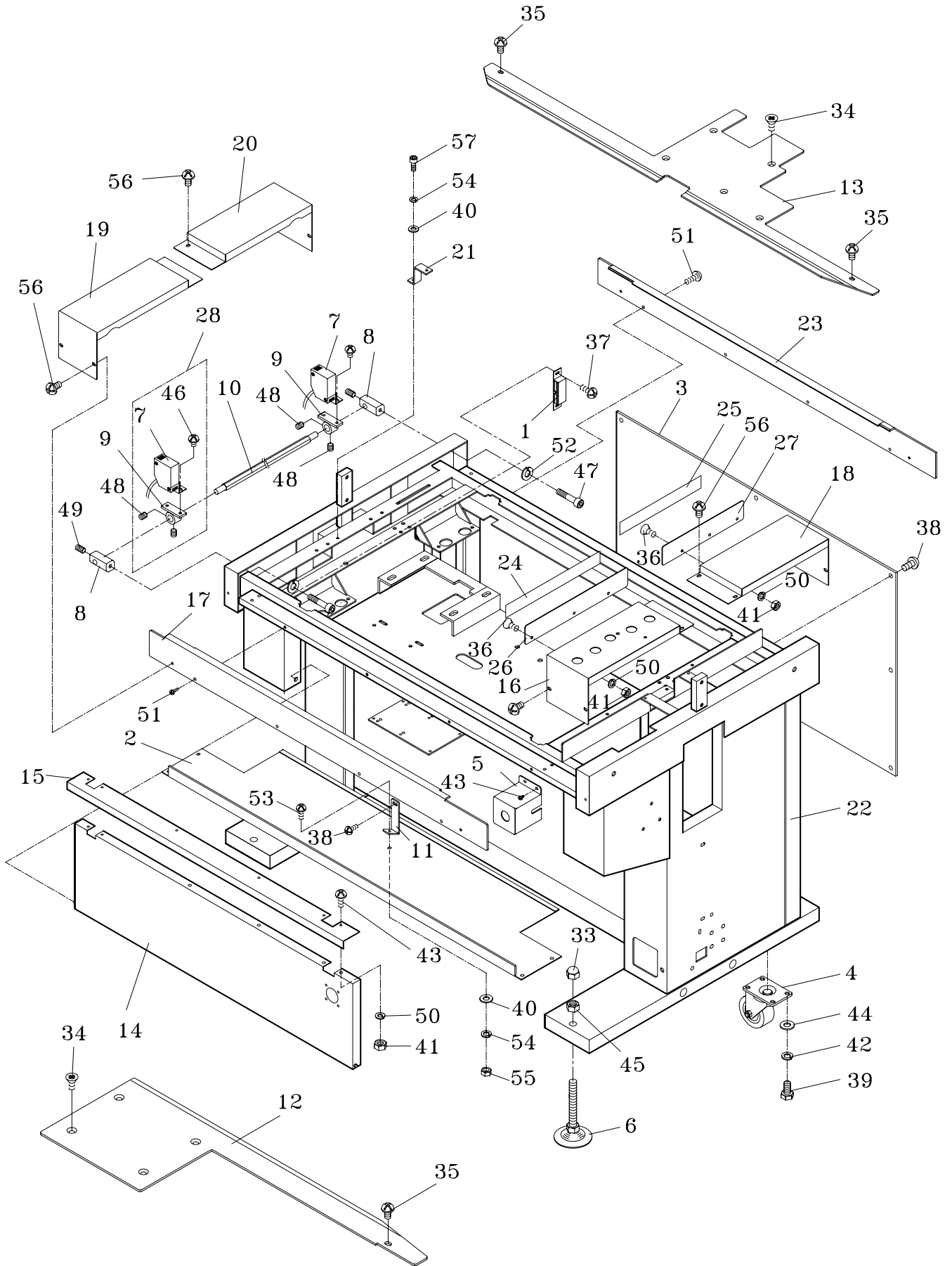
BODY UNIT**T6-5-90008****T6-5-90009**

REF. NO.	PART NO.	DESCRIPTION	Q'TY	REMARKS
	T6-5-90008	Body Unit (For TP-601A)	1	
	T6-5-90009	Body Unit (For TP-601B/BP)	1	
1	T6-5-50001	Body Group (For TP-601A, 850W)	1	SEE PAGE 58
	T6-5-50004	Body Group (For TP-601A, 1050W)	1	SEE PAGE 58
	T6-5-50005	Body Group (For TP-601A, 1250W)	1	SEE PAGE 58
2	T6-5-50002	Body Group (For TP-601B, 850W)	1	SEE PAGE 63
	T6-5-50006	Body Group (For TP-601B, 1050W)	1	SEE PAGE 63
	T6-5-50007	Body Group (For TP-601B, 1250W)	1	SEE PAGE 63
	T6-5-50003	Body Group (For TP-601BP, 850W)	1	SEE PAGE 63
	T6-5-50008	Body Group (For TP-601BP, 1050W)	1	SEE PAGE 63
	T6-5-50009	Body Group (For TP-601BP, 1250W)	1	SEE PAGE 63

5-4

BODY GROUP
(For TP-601A)

T6-5-50001



5-4**BODY GROUP
(For TP-601A)****T6-5-50001**

REF. NO.	PART NO.	DESCRIPTION	Q'TY	REMARKS
1	T6-5-10160	Magnet Catch	2	
2	T6-5-10170	Enclosed Bottom Plate (For 850W)	1	
	T6-5-10170S	Enclosed Bottom Plate (For 850W) (Stainless Steel Model)	1	
	T6-5-50170	Enclosed Bottom Plate (For 1050W, 1250W)	1	
	T6-5-50170S	Enclosed Bottom Plate (For 1050W, 1250W)(Stainless Steel Model)	1	
3	T6-5-10191	Rear Plate (For 850W)	1	
	T6-5-10191S	Rear Plate (For 850W) (Stainless Steel Model)	1	
	T6-5-50190	Rear Plate (For 1050W, 1250W)	1	
	T6-5-50190S	Rear Plate (For 1050W, 1250W) (Stainless Steel Model)	1	
4	T6-5-10230	Caster (Free)	4	
	T6-5-10232	Caster (Free)(Stainless Steel Model)	4	
5	T6-5-10260	Cover	1	
6	T6-5-10280	Support Bolt	4	
	T6-5-10281	Support Bolt (Stainless Steel Model)	4	
7	T6-5-10301	Photo Eye	2	
8	T6-5-10310	Block	2	
	T6-5-10310S	Block (Stainless Steel Model)	2	
9	T6-5-10320	Support	2	
	T6-5-10320S	Support (Stainless Steel Model)	2	
10	T6-5-10332	Shaft	1	
	T6-5-10332S	Shaft (Stainless Steel Model)	1	
11	T6-5-10911	Bracket	1	
	T6-5-10911S	Bracket (Stainless Steel Model)	1	
12	T6-1-20940	Cover	1	
	T6-1-20940S	Cover (Stainless Steel Model)	1	
13	T6-1-20950	Loop-Eject Plate (For 850W, 9mm)	1	
	T6-1-20950S	Loop-Eject Plate (For 850W, 9mm) (Stainless Steel Model)	1	
	T6-1-20951	Loop-Eject Plate (For 850W,12mm)	1	
	T6-1-20951S	Loop-Eject Plate (For 850W,12mm) (Stainless Steel Model)	1	

5-4**BODY GROUP
(For TP-601A)****T6-5-50001**

REF. NO.	PART NO.	DESCRIPTION	Q'TY	REMARKS
	T6-1-20952	Loop-Eject Plate (For 1050W, 1250W, 9mm)	1	
	T6-1-20952S	Loop-Eject Plate (For 1050W, 1250W, 9mm) (Stainless Steel Model)	1	
	T6-1-20953	Loop-Eject Plate (For 1050W,1250W, 12mm)	1	
	T6-1-20953S	Loop-Eject Plate (For 1050W,1250W, 12mm)	1	
14	T6-5-50121	Front Door (For 850W)	1	
	T6-5-50122	Front Door (For 1050W, 1250W)	1	
15	T6-5-50131	Front Door Handle (For 850W)	1	
	T6-5-50131S	Front Door Handle (For 850W) (Stainless Steel Model)	1	
	T6-5-50132	Front Door Handle (For 1050W, 1250W)	1	
	T6-5-50132S	Front Door Handle (For 1050W, 1250W) (Stainless Steel Model)	1	
16	T6-5-50242	Control Plate	1	
17	T6-5-50342	Cover (For 850W)	1	
	T6-5-50342S	Cover (For 850W)(Stainless Steel Model)	1	
	T6-5-50343	Cover (For 1050W)	1	
	T6-5-50343S	Cover (For 1050W)(Stainless Steel Model)	1	
	T6-5-50345	Cover (For 1250W)	1	
	T6-5-50345S	Cover (For 1250W)(Stainless Steel Model)	1	
18	T6-5-50350	Cover	1	
	T6-5-50350S	Cover (Stainless Steel Model)	1	
19	T6-5-50361	Cover	1	
	T6-5-50361S	Cover (Stainless Steel Model)	1	
20	T6-5-50371	Cover	1	
	T6-5-50371S	Cover (Stainless Steel Model)	1	
21	T6-5-50381	Support	1	
22	T6-5-50511	Body Frame (For 850W)	1	
	T6-5-50511S	Body Frame (For 850W) (Stainless Steel Model)	1	
	T6-5-50521	Body Frame (For 1050W)	1	
	T6-5-50521S	Body Frame (For 1050W) (Stainless Steel Model)	1	

5-4**BODY GROUP
(For TP-601A)****T6-5-50001**

REF. NO.	PART NO.	DESCRIPTION	Q'TY	REMARKS
	T6-5-50523	Body Frame (For 1250W)	1	
	T6-5-50523S	Body Frame (For 1250W) (Stainless Steel Model)	1	
23	T6-5-50530	Cover (For 850W)	1	
	T6-5-50531	Cover (For 1050W)	1	
	T6-5-50532	Cover (For 1250W)	1	
24	T6-5-50540	Sensor Label	1	
25	T6-5-50550	Sensor Label	1	
26	T6-5-50970	Sensor Plate (Front)	1	
	T6-5-50970S	Sensor Plate (Front) (Stainless Steel Model)	1	
27	T6-5-50980	Sensor Plate (Rear)	1	
	T6-5-50980S	Sensor Plate (Rear) (Stainless Steel Model)	1	
28	T6-5-50960	Photo Eye Ass'y	2	
33	CAP5/8	CAP, 5/8"	4	
	CAP5/8S	CAP, 5/8" (Stainless Steel Model)	4	
34	FMS0508S	FMS, M5x8 (SUS)	12	
35	TMS0508S	TMS, M5x8 (SUS)	3	
36	FMS0410S	FMS, M4x10 (SUS)	6	
37	TMS0308	TMS, M3x8	4	
38	TMS0508	TMS, M5x8	9	
	TMS0508S	TMS, M5x8 (Stainless Steel Model)	9	
39	HB0616	HB, M6x16	16	
	HB0616S	HB, M6x16 (Stainless Steel Model)	16	
40	PW05	PW, M5	2	
41	HN04	HN, M4	12	
	HN04S	HN, M4 (Stainless Steel Model)	12	
42	SW06	SW, M6	16	
	SW06S	SW, M6 (Stainless Steel Model)	16	
43	TMS0408	TMS, M4x8	8	
	TMS0408S	TMS, M4x8 (Stainless Steel Model)	8	

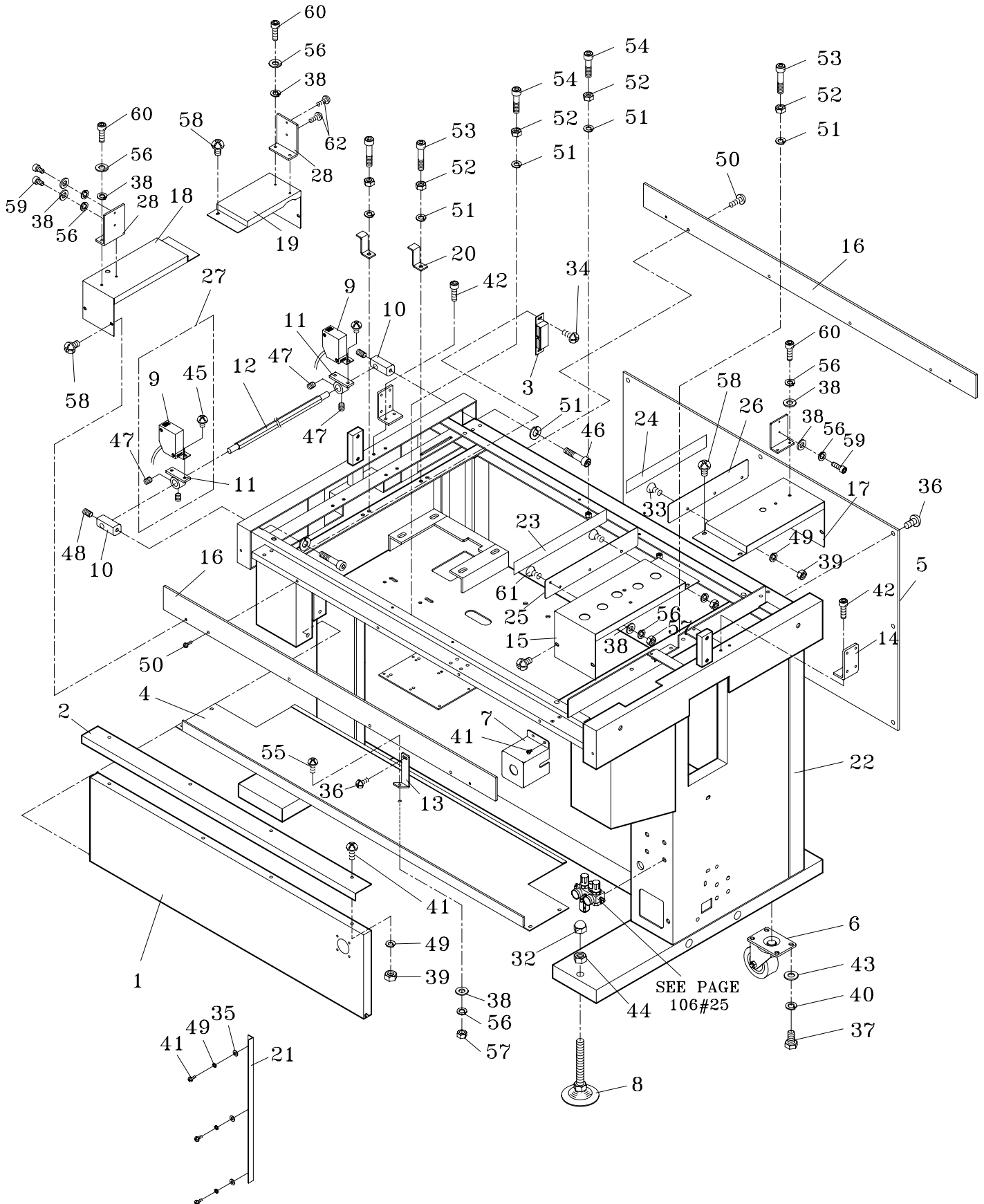
5-4**BODY GROUP
(For TP-601A)****T6-5-50001**

REF. NO.	PART NO.	DESCRIPTION	Q'TY	REMARKS
44	PW06C	PW, M6 (C)	16	
	PW06CS	PW, M6 (C)(Stainless Steel Model)	16	
45	HN5/8	HN, 5/8"	4	
	HN16S	HN, M16 (Stainless Steel Model)	4	
46	TMS0608	TMS, M6x8	4	
47	HBS0816	HBS, M8x16	2	
48	HSS0610	HSS, M6x10	4	
	HSS0610S	HSS, M6x10 (Stainless Steel Model)	4	
49	HSS0508	HSS, M5x8	2	
	HSS0508S	HSS, M5x8 (Stainless Steel Model)	2	
50	SW04	SW, M4	12	
	SW04S	SW, M4 (Stainless Steel Model)	12	
51	TMS0612	TMS, M6x12	8	
	TMS0612S	TMS, M6x12 (Stainless Steel Model)	8	
52	SW08	SW, M8	2	
53	TMS0512	TMS, M5x12	1	
54	SW05	SW, M5	2	
55	HN05	HN, M5	1	
56	TMS0506	TMS, M5x6	16	
	TMS0506S	TMS, M5x6 (Stainless Steel Model)	16	
57	HBS0610	HBS, M6x10	1	

5-5

BODY GROUP (For TP-601B, TP-601BP)

T6-5-50002 T6-5-50003



5-5

**BODY GROUP
(For TP-601B, TP-601BP)**

**T6-5-50002
T6-5-50003**

REF. NO.	PART NO.	DESCRIPTION	Q'TY	REMARKS
1	T6-5-50002	Body Group (For TP-601B)	1	
	T6-5-50003	Body Group (For TP-601BP)	1	
	T6-5-10122	Front Door (For 850W, 1250W)	1	
	T6-5-10122S	Front Door (For 850W, 1250W) (Stainless Steel Model)	1	
	T6-5-10124	Front Door (For 1050W)	1	
	T6-5-10124S	Front Door (For 1050W) (Stainless Steel Model)	1	
2	T6-5-10130	Front Door Handle (For 850W, 1250W)	1	
	T6-5-10130S	Front Door Handle (For 850W, 1250W) (Stainless Steel Model)	1	
	T6-5-50130	Front Door Handle (For 1050W)	1	
	T6-5-50130S	Front Door Handle (For 1050W) (Stainless Steel Model)	1	
3	T6-5-10160	Magnet Catch	2	
4	T6-5-10170	Enclosed Bottom Plate (For 850W, 1250W)	1	
	T6-5-10170S	Enclosed Bottom Plate (For 850W, 1250W) (Stainless Steel Model)	1	
	T6-5-50170	Enclosed Bottom Plate (For 1050W)	1	
	T6-5-50170S	Enclosed Bottom Plate (For 1050W) (Stainless Steel Model)		
5	T6-5-10191	Rear Plate (For 850W, 1250W)	1	
	T6-5-50190	Rear Plate (For 1050W)	1	
6	T6-5-10230	Caster (Free)	4	
	T6-5-10232	Caster (Free)(Stainless Steel Model)	4	
7	T6-5-10260	Cover	1	
8	T6-5-10280	Support Bolt	4	
	T6-5-10281	Support Bolt (Stainless Steel Model)	4	
9	T6-5-10301	Photo Eye	2	
10	T6-5-10310	Block	2	
	T6-5-10310S	Block (Stainless Steel Model)	2	
11	T6-5-10320	Support	2	
	T6-5-10320S	Support (Stainless Steel Model)	2	
12	T6-5-10332	Shaft	1	
	T6-5-10332S	Shaft (Stainless Steel Model)	1	
13	T6-5-10911	Bracket	1	

5-5

BODY GROUP
(For TP-601B, TP-601BP)

T6-5-50002
T6-5-50003

REF. NO.	PART NO.	DESCRIPTION	Q'TY	REMARKS
14	T6-5-13340	Bracket (For TP-601BP)	2	
	T6-5-13340S	Bracket (For TP-601BP) (Stainless Steel Model)	1	
15	T6-5-50242	Control Plate	1	
	T6-5-50242S	Control Plate (Stainless Steel Model)	1	
16	T6-5-50340	Cover (For 850W)	2	
	T6-5-50340S	Cover (For 850W) (Stainless Steel Model)	2	
	T6-5-50341	Cover (For 1050W)	2	
	T6-5-50341S	Cover (For 1050W) (Stainless Steel Model)	2	
	T6-5-50344	Cover(For 1250W)	1	
	T6-5-50344S	Cover(For 1250W) (Stainless Steel Model)	1	
	T6-5-50350	Cover (For TP-601B)	1	
	T6-5-50350S	Cover (For TP-601B) (Stainless Steel Model)	1	
17	T6-5-50351	Cover (For TP-601BP)	1	
	T6-5-50351S	Cover (For TP-601BP) (Stainless Steel Model)	1	
	T6-5-50360	Cover (For TP-601B)	1	
	T6-5-50360S	Cover (For TP-601B) (Stainless Steel Model)	1	
18	T6-5-50362	Cover (For TP-601BP)	1	
	T6-5-50362S	Cover (For TP-601BP) (Stainless Steel Model)	1	
	T6-5-50370	Cover (For TP-601B)	1	
	T6-5-50370S	Cover (For TP-601B) (Stainless Steel Model)	1	
19	T6-5-50372	Cover (For TP-601BP) (Stainless Steel Model)	1	
	T6-5-50372S	Cover (For TP-601BP) (Stainless Steel Model)	1	
	T6-5-50380	Support	2	
20	T6-5-50380S	Support (Stainless Steel Model)	2	
21	T6-5-50400	Guide (For 1050W)	1	
22	T6-5-50510	Body Frame (For 850W)	1	
	T6-5-50510S	Body Frame (For 850W) (Stainless Steel Model)	1	
	T6-5-50520	Body Frame (For 1050W)	1	

5-5

BODY GROUP
(For TP-601B, TP-601BP)

T6-5-50002
T6-5-50003

REF. NO.	PART NO.	DESCRIPTION	Q'TY	REMARKS
	T6-5-50520S	Body Frame (For 1050W) (Stainless Steel Model)	1	
	T6-5-50560	Body Frame (For 1250W)	1	
	T6-5-50560S	Body Frame (For 1250W) (Stainless Steel Model)	1	
23	T6-5-50540	Sensor Label	1	
24	T6-5-50550	Sensor Label (For TP-601B)	1	
	T6-5-50551	Sensor Label (For TP-601BP)	1	
25	T6-5-50970	Sensor Plate (Front) (For TP-601B)	1	
	T6-5-50970S	Sensor Plate (Front) (For TP-601B) (Stainless Steel Model)	1	
	T6-5-50971	Sensor Plate (Front) (For TP-601BP)	1	
	T6-5-50971S	Sensor Plate (Front) (For TP-601BP) (Stainless Steel Model)	1	
26	T6-5-50980	Sensor Plate (Rear) (For TP-601B)	1	
	T6-5-50980S	Sensor Plate (Rear) (For TP-601B) (Stainless Steel Model)	1	
	T6-5-50981	Sensor Plate (Rear) (For TP-601BP)	1	
	T6-5-50981S	Sensor Plate (Rear) (For TP-601BP) (Stainless Steel Model)	1	
27	T6-5-50960	Photo Eye Ass'y	2	
28	T6-5-50570	Bracket (For TP-601BP)	3	
	T6-5-50570S	Bracket (For TP-601BP) (Stainless Steel Model)	3	
32	CAP5/8	CAP, 5/8"	4	
	CAP5/8S	CAP, 5/8" (Stainless Steel Model)	4	
33	FMS0410S	FMS, M4x10 (SUS)	6	
34	TMS0308	TMS, M3x8	4	
35	PW04	PW, M4	3	
36	TMS0508	TMS, M5x8	9	
	TMS0508S	TMS, M5x8 (Stainless Steel Model)	9	
37	HB0616	HB, M6x16	16	
	HB0616S	HB, M6x16 (Stainless Steel Model)	16	
38	PW05	PW, M5	12	
	PW05S	PW, M5(Stainless Steel Model)	12	
39	HN04	HN, M4	10	
	HN04S	HN, M4 (Stainless Steel Model)	10	
40	SW06	SW, M6	16	

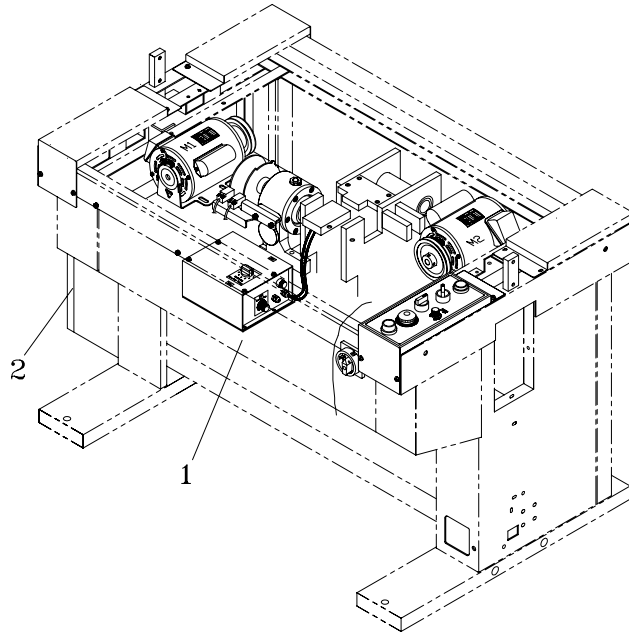
5-5

BODY GROUP
(For TP-601B, TP-601BP)

T6-5-50002
T6-5-50003

REF. NO.	PART NO.	DESCRIPTION	Q'TY	REMARKS
	SW06S	SW, M6 (Stainless Steel Model)	16	
41	TMS0408	TMS, M4x8	9	
	TMS0408S	TMS, M4x8 (Stainless Steel Model)	9	
42	HBS0616	HBS, M6x16	4	
43	PW06C	PW, M6 (C)	16	
	PW06CS	PW, M6 (C)(Stainless Steel Model)	16	
44	HN5/8	HN, 5/8"	4	
	HN16S	HN, M16 (SUS)	4	
45	TMS0608	TMS, M6x8	4	
	TMS0608S	TMS, M6x8 (Stainless Steel Model)	4	
46	HBS0816	HBS, M8x16	2	
	HBS0816S	HBS, M8x16 (Stainless Steel Model)	2	
47	HSS0610	HSS, M6x10	4	
	HSS0610S	HSS, M6x10 (Stainless Steel Model)	4	
48	HSS0508		2	
	HSS0508S	HSS, M5x8 (Stainless Steel Model)	2	
49	SW04	SW, M4	13	
	SW04S	SW, M4 (Stainless Steel Model)	13	
50	TMS0612	TMS, M6x12	8	
51	SW08	SW, M8	10	
52	HN08	HN, M8	8	
53	HBS0860H	HBS, M8x60 (H)	4	
54	HBS0850H	HBS, M8x50 (H)	4	
55	TMS0512	TMS, M5x12	1	
56	SW05	SW, M5	12	
	SW05S	SW, M5 (Stainless Steel Model)	12	
57	HN05	HN, M5	2	
	HN05S	HN, M5 (Stainless Steel Model)	2	
58	TMS0506	TMS, M5x6	14	
	TMS0506S	TMS, M5x6 (Stainless Steel Model)	14	
59	HBS0516	HBS, M5x16	4	
	HBS0516S	HBS, M5x16 (Stainless Steel Model)	4	
60	HBS0512	HBS, M5x12	6	
	HBS0512S	HBS, M5x12 (Stainless Steel Model)	6	
61	THS0516	THS, M5x16	1	
62	TMS0516	TMS, M5x16	2	

6

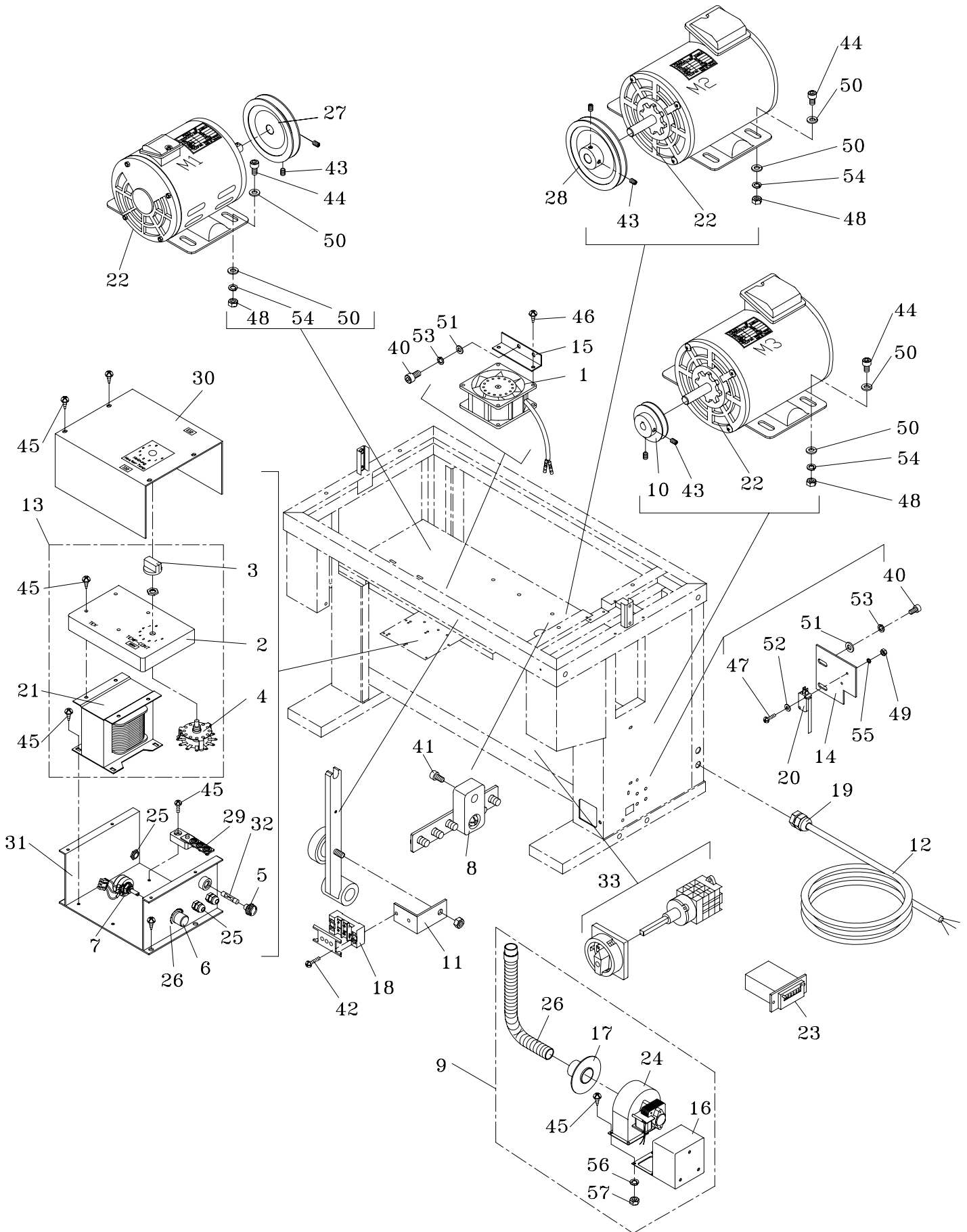
ELECTRIC CONTROL UNIT T6-6-90007

REF. NO.	PART NO.	DESCRIPTION	Q'TY	REMARKS
1	T6-6-10020	Electric Group (For 3PH, 220V)	1	SEE PAGE 69
2	T6-6-70001	Control Group	1	SEE PAGE 72
	T6-6-70002	Control Group (OPTION For SIEMENS PLC)	1	SEE PAGE 75

6-1

ELECTRIC GROUP

T6-6-10020



6-1**ELECTRIC GROUP****T6-6-10020**

REF. NO.	PART NO.	DESCRIPTION	Q'TY	REMARKS
1	TF-021-1	Fan (For 220V/230V/240V)	1	
2	TF-024	Transformer Cover	1	
3	TF-025	Knob	1	
4	TF-027	Selector Switch	1	
5	TG-013	Fuse Holder	1	
6	T5-4-10221	Knob	1	
7	T5-4-10231	Variable Resistor (5K)(ϕ 3)	1	
8	T5-4-10310	Earth Plate (5P)	1	
9	T6-1-43002	Smoke-Exhaustion System, without activated carbon filter.(For TP-601A)	1	
10	T6-1-71160	Feed Roller Pulley	1	
11	T6-6-10140	Heater Terminal Bracket	1	
12	T6-6-10161	Cap Tire	1	
	T6-6-10166	Cap Tire (For CSA)	1	
13	T6-6-10171	Heater Transformer Ass'y	1	
14	T6-6-10200	Limit Switch Base	1	
15	T6-6-10260	Smoke Fan Bracket	1	
16	T6-6-10270	Smoke Fan Box	1	
17	T6-6-10280	Nipple	1	
18	T6-6-10320	Heater Terminal	1	
19	T6-6-10340	Grommet (PG13.5)	1	
20	T6-6-10380	Limit Switch (LS4)	1	
21	T6-6-10391	Heater Transformer	1	
22	T6-6-10442	Motor (For M1/M2/M3, 3PH, 220V)	3	
23	T6-6-10530	Counter (OPTION)	1	
24	T6-6-10971	Fan (For Smoke, OPTION)	1	
25	T6-6-10980	Grommet (PG11)	3	
26	T6-6-10990	Panel	1	
27	T6-6-30002	Motor (M1) Pulley	1	
28	T6-6-30136	Motor (M2) Pulley	1	
29	T6-6-30200	Earth Plate (3P)	1	
30	T6-6-40002	Transformer Box Cover	1	
31	T6-6-40006	Transformer Box	1	
32	T6-6-40007	Fuse 15A	1	
33	T6-6-40010	Main Power Switch	1	

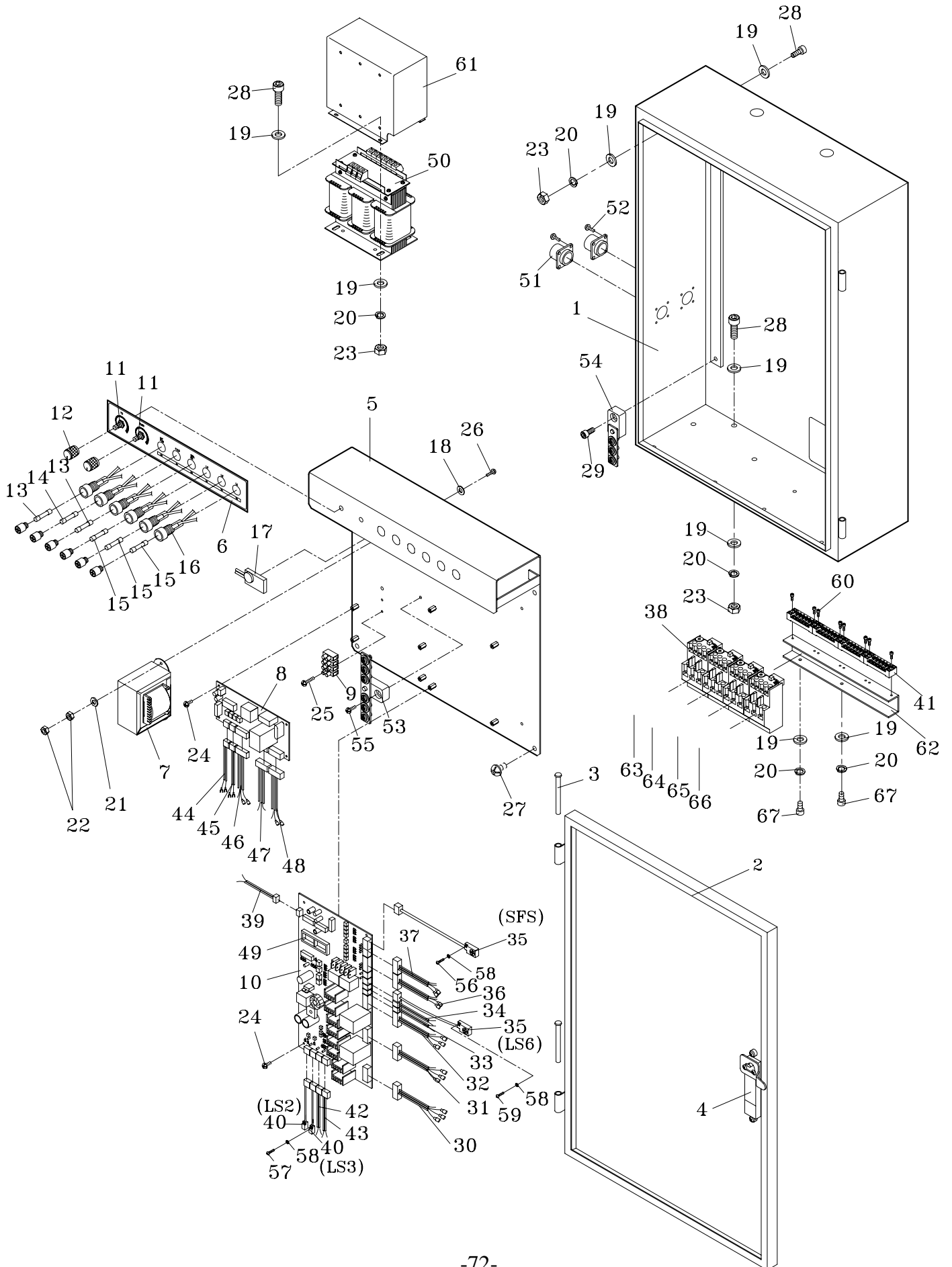
6-1**ELECTRIC GROUP****T6-6-10020**

REF. NO.	PART NO.	DESCRIPTION	Q'TY	REMARKS
40	HBS0510	HBS, M5x10	4	
41	HBS0512	HBS, M5x12	1	
42	PMS0410	PMS, M4x10	2	
43	HSS0610	HSS, M6x10	4	
44	HBS0620	HBS, M6x20	12	
45	TMS0408	TMS, M4x8	17	
46	TMS0508	TMS, M5x8	2	
47	PMS0315	PMS, M3x15	2	
48	HN06	HN, M6	12	
49	HN03	HN, M3	2	
50	PW06C	PW, M6 (C)	24	
51	PW05	PW, M5	4	
52	PW04	PW, M4	8	
53	SW05	SW, M5	3	
54	SW06	SW, M6	12	
55	SW03	SW, M3	2	
56	SW04	SW, M4	4	
57	HN04	HN, M4	4	

6-2

CONTROL GROUP

T6-6-70001
T6-6-70003



6-2

CONTROL GROUP

T6-6-70001

T6-6-70003

REF. NO.	PART NO.	DESCRIPTION	QTY	REMARKS
	T6-6-70001	Control Group (For TP-601A/B)	1	
	T6-6-70003	Control Group (For TP-601BP)	1	
1	T6-6-60110	Control Box	1	
	T6-6-60110S	Control Box (Stainless Steel Model)	1	
2	T6-6-60120	Control Box Door	1	
	T6-6-60120S	Control Box Door (Stainless Steel Model)	1	
3	T6-6-60130	Pin	2	
	T6-6-60130S	Pin (Stainless Steel Model)	2	
4	T6-6-60140	Door Lock	1	
5	T6-6-70150	Plate	1	
6	T6-6-70161	Panel	1	
7	T6-6-30041	Transformer	1	
8	T6-6-70181	P.C.Board (For TP-601A/B)	1	
	T6-6-70182	P.C.Board (For TP-601BP)	1	
9	T6-6-70190	Terminal	1	
10	T6-6-70201	P.C.Board (For TP-601A/TP-601B, 50HZ)	1	
	T6-6-70202	P.C.Board (For TP-601A/TP-601B, 60HZ)	1	
	T6-6-70203	P.C.Board (For TP-601BP, 50HZ)	1	
	T6-6-70205	P.C.Board (For TP-601BP, 60HZ)	1	
11	T5-4-10231	Variable Resistor (5K)	2	
12	T5-4-10221	Knob	2	
13	T6-6-30031	Fuse (2A)	2	
14	T6-6-30036	Fuse (1A)	1	
15	T6-6-30034	Fuse (7A)	3	
16	T5-4-10160	Fuse Holder	6	
17	T6-6-30047	EMI Filter	1	
18	PW04	PW, M4	2	
19	PW06C	PW, M6 (C)	8	
	PW06C	PW, M6 (C) (For CSA)	2	
20	SW06	SW, M6	4	
	SW06	SW, M6 (For CSA)	2	
21	PW04	PW, M4	2	
22	HN04	HN, M4	4	
23	HN06	HN, M6	4	
24	PMS0305	PMS, M3x5	10	
25	PMS0312	PMS, M3x12	2	
26	PMS0412	PMS, M4x12	2	

6-2**CONTROL GROUP****T6-6-70001****T6-6-70003**

REF. NO.	PART NO.	DESCRIPTION	QTY	REMARKS
27	TMS0608	TMS, M6x8	4	
28	HBS0616	HBS, M6x16	4	
29	HBS0612	HBS, M6x12	1	
30	T6-8-21452	Wire Ass'y X1 (For Motor M1)	1	
31	T6-8-21453	Wire Ass'y X2 (For Motor M2)	1	
32	T6-8-21454	Wire Ass'y X3 (For Motor M3)	1	
33	T6-8-20470	Wire Ass'y X4 (For Motor M5)	1	
34	T6-8-20480	Wire Ass'y X5 (For Motor M5-1)	1	
35	T6-1-50680	Proximity Sensor (For LS6, SFS)	2	SEE PAGE 5
36	T6-8-20510	Wire Ass'y X8 (For Control Panel)	1	
37	T6-8-20520	Wire Ass'y X9 (For LS4, LS5)	1	
38	T6-6-50260	Over Load Relay (For CSA)	4	
39	T6-8-20530	Wire Ass'y X10 (For T1)	1	
40	T6-1-10680	Proximity Sensor (For LS2, LS3)	2	SEE PAGE 2
41	TF-015	Terminal Bracket (For CSA)	4	
42	T6-8-20560	Wire Ass'y X13 (For Weld Cooling Time)	1	
43	T6-8-20570	Wire Ass'y X14 (For BRK)	1	
44	T6-6-70491	Wire Ass'y X15-1 (For Photo Eye 1)	1	
45	T6-6-70501	Wire Ass'y X15-2 (For Photo Eye 2)	1	
46	T6-6-70510	Wire Ass'y X16 (For Control Plate)	1	
47	T6-6-70520	Wire Ass'y X18 (For Conveyor Brake & Clutch)	1	
48	T6-6-70530	Wire Ass'y X19 (For Conveyor Motor)	1	
49	T6-6-70541	CPU (For TP-601A/B)	1	
	T6-6-70542	CPU (For TP-601BP)	1	
50	T6-8-21290	Transformer (For 380V/415V)	1	
51	T6-6-10350	Connector (For Conveyor Singnal)	2	
52	TMS0308	TMS, M3x8	2	
53	T6-6-10250	Earth Plate (6P)	1	
54	T6-6-30200	Earth Plate (3P)	1	
55	TMS0412	TMS, M4x12	1	
56	PMS0310	PMS, M3x10	2	SEE PAGE 5
57	PMS0320	PMS, M3x20	4	SEE PAGE 2
58	SW03	SW, M3	8	SEE PAGE 2, 5
59	PMS0325	PMS, M3x25	2	SEE PAGE 5
60	HBS0408	HBS, M4x8 (For CSA)	8	
61	T6-8-21300	Transformer Cover (For CSA)	1	

6-2**CONTROL GROUP****T6-6-70001****T6-6-70003**

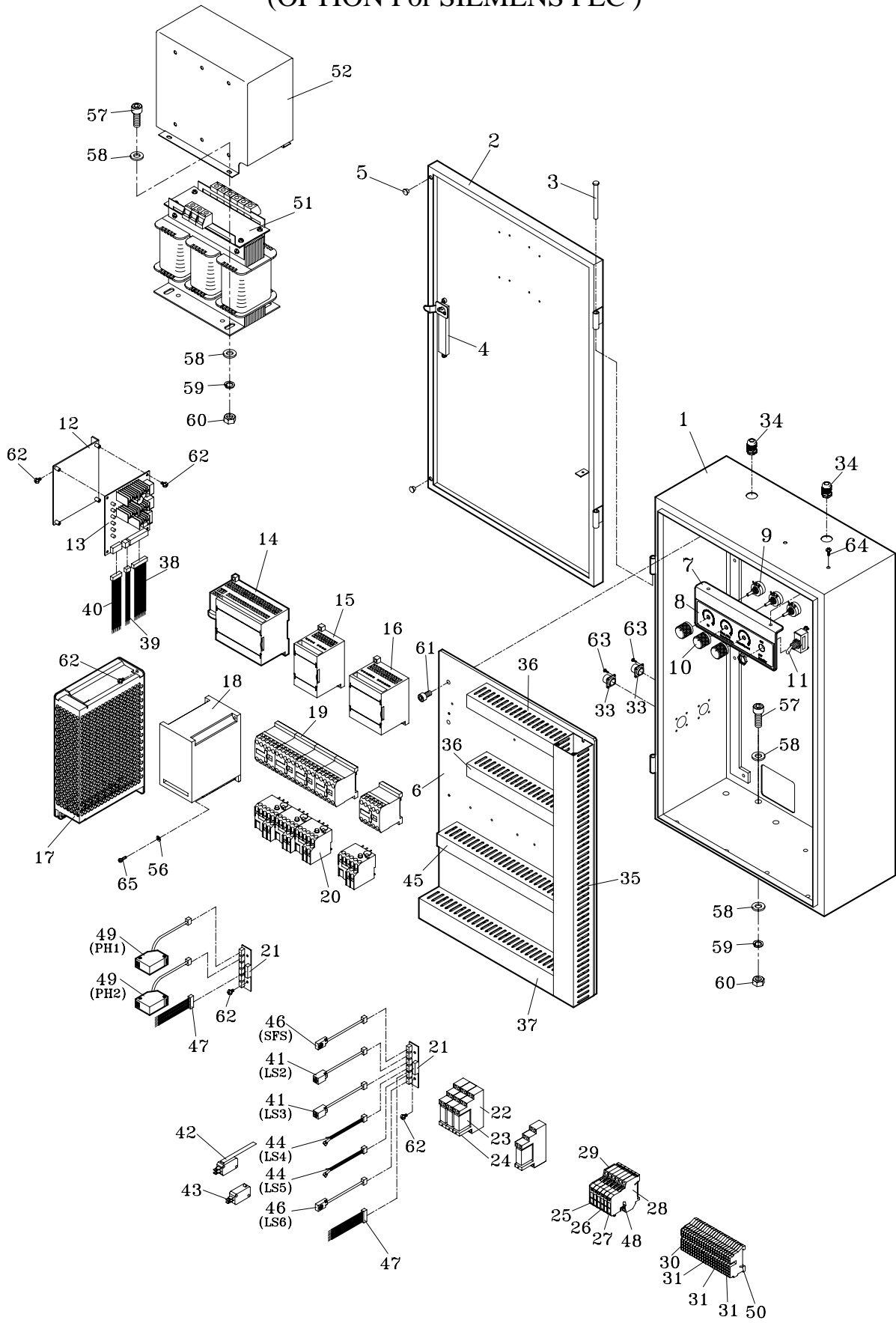
REF. NO.	PART NO.	DESCRIPTION	Q'TY	REMARKS
62	T6-7-70290	Holder (For CSA)	1	
63	T6-8-21457	Wire Ass'y F10 (For Motor M1, CSA)	1	
64	T6-8-21458	Wire Ass'y F11 (For Motor M2, CSA)	1	
65	T6-8-21459	Wire Ass'y F12 (For Motor M3, CSA)	1	
66	T6-8-21460	Wire Ass'y F13 (For Conveyor Motor, CSA)	1	
67	HBS0610	HBS, M6x10 (For CSA)	2	

6-3

CONTROL GROUP

T6-6-70002

(OPTION For SIEMENS PLC)



6-3

CONTROL GROUP
(OPTION For SIEMENS PLC)

T6-6-70002

REF. NO.	PART NO.	DESCRIPTION	Q'TY	REMARKS
1	T6-6-60110	Control Box	1	
	T6-6-60110S	Control Box (Stainless Steel Model)	1	
2	T6-6-60120	Control Box Door	1	
	T6-6-60120S	Control Box Door (Stainless Steel Model)	1	
3	T6-6-60130	Pin	2	
	T6-6-60130S	Pin (Stainless Steel Model)	2	
4	T6-6-60140	Door Lock	1	
5	T7-5-20210	Rubber Plug	2	
6	T6-6-60151	Plate (PLC)	1	
7	T7-6-11780	Control Plate	1	
8	T6-6-70170	Panel (PLC)	1	
9	T5-4-10232	Variable Resistor (§ 6.0)	2	
	T5-4-10232	Variable Resistor (§ 6.0) (Option For Transit Speed)	3	
10	T5-4-10222	Knob (Hole § 6.0)	2	
	T5-4-10222	Knob (Hole § 6.0) (Option For Transit Speed)	3	
11	T6-6-10460	Snap Switch (For TP-601BP)	1	
12	T7-6-10600	PCB Support	1	
13	T7-6-11650	PCB (For M5/M5-1, Y1/Y2/Y3)	1	
14	T7-6-11680	CPU (A1)	1	
15	T7-6-11692	Expansion I/O (A2)	1	
16	T7-6-11700	Modules D/A (A3)	1	
17	TT-5-10181	Power Supply	1	
18	T7-6-10701	Frequency Inverter (Option For Transit Speed)	1	
19	T7-6-10690	Magnetic Switch	5	
	T7-6-10690	Magnetic Switch (Option For Transit Speed)	4	
20	T7-6-10990	Over Relay	4	
	T7-6-10990	Over Relay (Option For Transit Speed)	3	
21	T7-6-10390	PCB (For Sensor)	2	
22	T7-6-10820	Relay Socket	3	
	T7-6-10820	Relay Socket (Option For Press Bar)	4	
23	T7-6-10660	Relay	3	
	T7-6-10660	Relay (Option For Press Bar)	4	
24	T7-6-10680	Diode	3	
	T7-6-10680	Diode (Option For Press Bar)	4	
25	T6-6-50280	Fuse (5A)	6	
26	T6-6-50290	Fuse (2A)	2	
27	T7-6-10290	Fuse (3A)	2	

6-3

CONTROL GROUP
(OPTION For SIEMENS PLC)

T6-6-70002

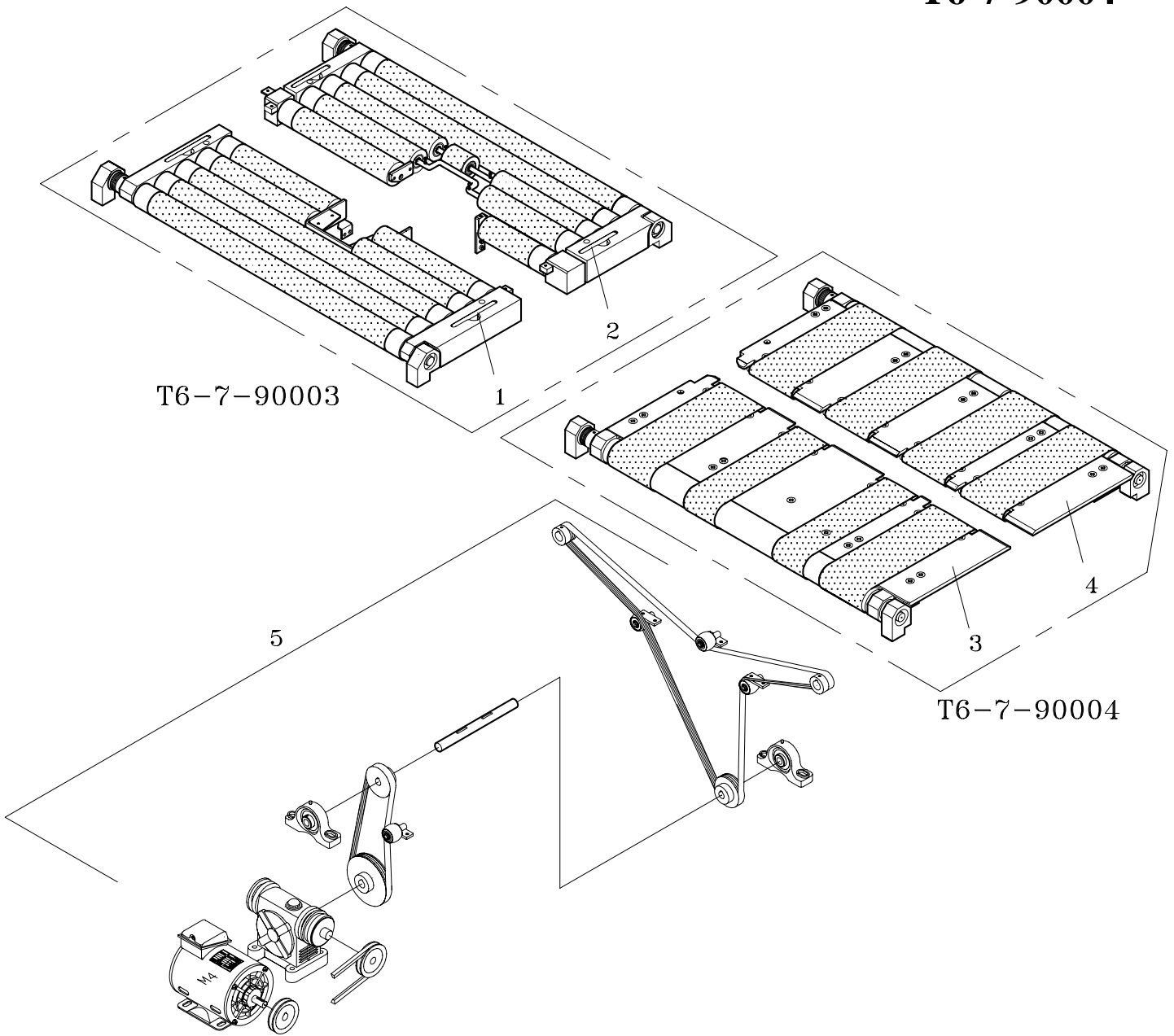
REF. NO.	PART NO.	DESCRIPTION	Q'TY	REMARKS
	T7-6-10290	Fuse (3A) (Option For Transit Speed)	4	
28	T6-6-50180	Fuse Holder	5	
	T6-6-50180	Fuse Holder (Option For Transit Speed)	6	
29	T6-6-50330	End Plate (Fuse)	1	
30	T7-6-10630	End Plate	1	
31	T7-6-11720	Jumper (Terminal 3S)	3	
33	T6-6-10350	Connector (For Conveyor Signal)	2	
34	T6-6-10980	Grommet (PG11)	2	
35	WD45450470	Wire Duct 45x45x470	1	
36	WD25450275	Wire Duct 25x45x275	2	
37	WD45450300	Wire Duct 45x45x300	1	
38	T7-6-11172	Output Wire For M4 P.C.B	1	
39	T7-6-11181	Power Wire For M4 P.C.B	1	
40	T7-6-11193	Control Wire For M4 P.C.B	1	
41	T6-1-10680	Proximity Sensor (LS2, LS3)	2	
42	T6-6-10380	Limit Switch (LS4)	1	
43	TF-007	Micro Switch (LS5)	1	
44	T6-8-20522	Wire Ass'y (For LS4, LS5)	2	
45	WD25450300	Wire Duct 25x45x300	1	
46	T6-1-50680	Proximity Sensor (SFS, LS6)	2	
47	T7-6-11330	Control Wire For Sensor	2	
48	T7-6-11370	Jumper (Fuse Holder)	1	
49	T6-5-10301	Photo Eye (PH1, PH2)	2	
50	T7-6-10940	Terminal	25	
51	T6-8-21290	Transformer	1	
52	T6-8-21300	Transformer Cover	1	
56	PW04	PW, M6	4	
	PW04	PW, M6 (OPTION)	4	
57	HBS0616	HBS, M6x16	4	
58	PW06C	PW, M6 (C)	8	
59	SW06	SW, M6	4	
60	HN06	HN, M6	4	
61	HBS0608N	HBS, M6x8 (N)	8	
62	PMS0308	PMS, M3x8	12	
63	TMS0308	TMS, M3x8	8	
64	TMS0512	TMS, M5x12	2	
65	TMS0412	TMS, M4x12	3	

7

TRANSMISSION GROUP

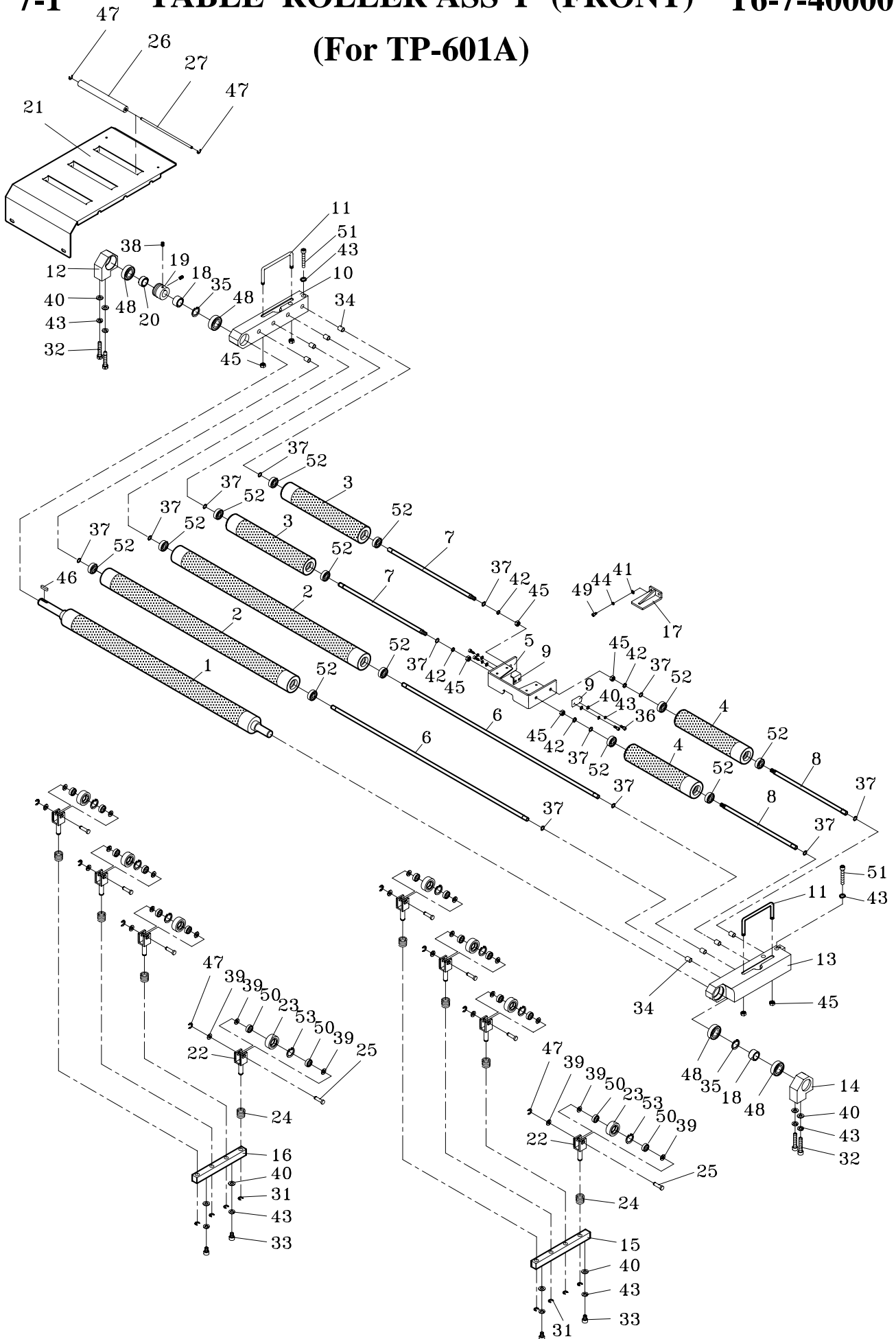
T6-7-90003

T6-7-90004



REF. NO.	PART NO.	DESCRIPTION	Q'TY	REMARKS
	T6-7-90003	Table Roller Ass'y (For TP-601A)	1	
	T6-7-90004	Table Belt Ass'y (For TP-601B/BP)	1	
1	T6-7-40000	Table Roller Ass'y (Front)(For TP-601A)	1	SEE PAGE 79
2	T6-7-40001	Table Roller Ass'y (Rear) (For TP-601A)	1	SEE PAGE 83
3	T6-7-50000	Table Belt Ass'y (Front) (For TP-601B/TP-601BP)	1	SEE PAGE 87
4	T6-7-50001	Table Belt Ass'y (Rear) (For TP-601B/TP-601BP)	1	SEE PAGE 91
5	T6-7-60000	Transmission Ass'y	1	SEE PAGE 95

7-1 TABLE ROLLER ASS'Y (FRONT) T6-7-40000 (For TP-601A)



7-1 TABLE ROLLER ASS'Y (FRONT) T6-7-40000
(For TP-601A)

REF. NO.	PART NO.	DESCRIPTION	Q'TY	REMARKS
1	T6-7-40110	Table Roller (For 850W)	1	
	T6-7-40110S	Table Roller (For 850W) (Stainless Steel Model)	1	
	T6-7-40111	Table Roller (For 1050,1250W)	1	
	T6-7-40111S	Table Roller (For 1050,1250W) (Stainless Steel Model)	1	
2	T6-7-40130	Table Roller (For 850W)	2	
	T6-7-40130S	Table Roller (For 850W) (Stainless Steel Model)	2	
	T6-7-40131	Table Roller (For 1050,1250W)	2	
	T6-7-40131S	Table Roller (For 1050,1250W) (Stainless Steel Model)	2	
3	T6-7-40140	Table Roller (For 850W)	2	
	T6-7-40140S	Table Roller (For 850W)(Stainless Steel Model)	2	
	T6-7-40141	Table Roller (For 1050,1250W)	2	
	T6-7-40141S	Table Roller (For 1050,1250W) (Stainless Steel Model)	2	
4	T6-7-40150	Table Roller	2	
	T6-7-40150S	Table Roller (Stainless Steel Model)	2	
5	T6-7-40160	Bracket	1	
	T6-7-40160S	Bracket (Stainless Steel Model)	1	
6	T6-7-40170	Shaft (For 850W)	2	
	T6-7-40170S	Shaft (For 850W)(Stainless Steel Model)	2	
	T6-7-40171	Shaft (For 1050,1250W)	2	
	T6-7-40171S	Shaft (For 1050,1250W)(Stainless Steel Model)	2	
7	T6-7-40180	Shaft (For 850W)	2	
	T6-7-40180S	Shaft (For 850W)(Stainless Steel Model)	2	
	T6-7-40181	Shaft (For 1050,1250W)	2	
	T6-7-40181S	Shaft (For 1050,1250W)(Stainless Steel Model)	2	
8	T6-7-40190	Shaft	2	
	T6-7-40190S	Shaft (Stainless Steel Model)	2	
9	T6-7-40210	Bracket	2	
	T6-7-40210S	Bracket (Stainless Steel Model)	2	
10	T6-7-40220	Support	1	
11	T6-7-40230	Table Handle	2	
	T6-7-40230S	Table Handle (Stainless Steel Model)	2	
12	T6-7-40260	Bracket	1	
13	T6-7-40270	Bracket	1	

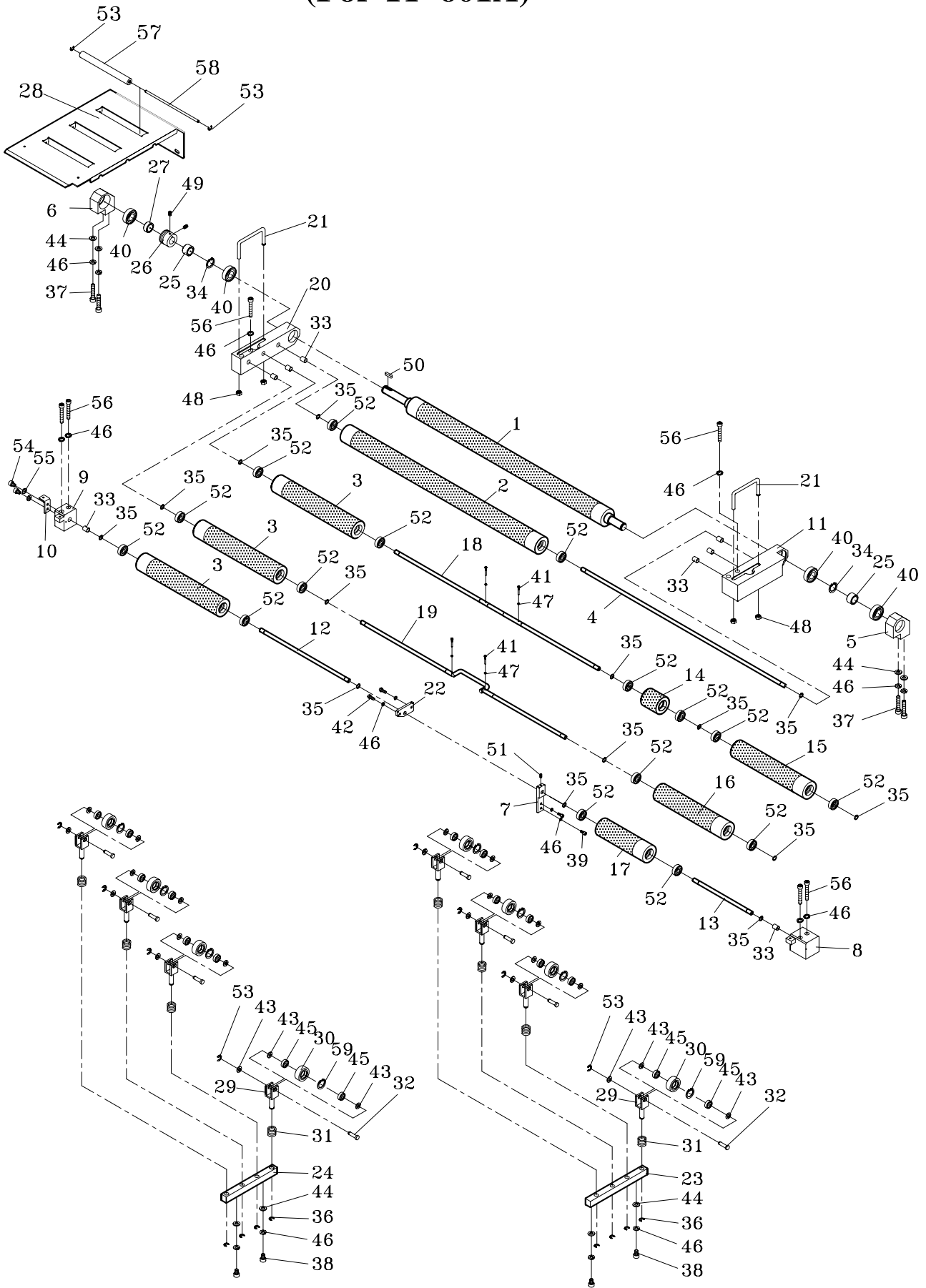
7-1 TABLE ROLLER ASS'Y (FRONT) T6-7-40000
(For TP-601A)

REF. NO.	PART NO.	DESCRIPTION	Q'TY	REMARKS
14	T6-7-40280	Bracket	1	
15	T6-7-40310	Bracket	1	
	T6-7-40310S	Bracket (Stainless Steel Model)	1	
16	T6-7-40330	Bracket	1	
	T6-7-40330S	Bracket (Stainless Steel Model)	1	
17	T6-7-40580	Support	1	
	T6-7-40580S	Support (Stainless Steel Model)	1	
18	T6-7-50520	Spacer	2	
	T6-7-50520S	Spacer (Stainless Steel Model)	2	
19	T6-7-50530	Pulley	1	
20	T6-7-50540	Spacer	1	
	T6-7-50540S	Spacer (Stainless Steel Model)	1	
21	T6-7-50740	Upper Table Front (For 1250W)	1	
	T6-7-50740S	Upper Table Front (For 1250W) (Stainless Steel Model)	1	
22	T6-7-70180	Plunger	8	
	T6-7-70180S	Plunger (Stainless Steel Model)	8	
23	T6-7-70190	Roller	8	
24	T6-7-70210	Spring	8	
	T6-7-70210S	Spring (Stainless Steel Model)	8	
25	T6-7-70270	Shaft	8	
	T6-7-70270S	Shaft (Stainless Steel Model)	8	
26	T6-5-11120	Table Roller (For 1250W)	3	
	T6-5-11121	Table Roller (For 1250W) (Stainless Steel Model)	3	
27	T6-5-11130	Table Roller Shaft (For 1250W)	3	
	T6-5-11131	Table Roller Shaft (For 1250W) (Stainless Steel Model)	3	
31	ER10	Snap Ring, E-10	8	
32	HBS0635	HBS, M6x35	4	
33	HBS0610	HBS, M6x10	4	
34	MB1015	Metal Bush, 1015	8	
35	RR42	Snap Ring, H-42	2	
36	HBS0616	HBS, M6x16	4	

7-1 TABLE ROLLER ASS'Y (FRONT) T6-7-40000
(For TP-601A)

REF. NO.	PART NO.	DESCRIPTION	Q'TY	REMARKS
37	SR10	Stop Ring, S-10	12	
38	HSS0506	HSS, M5x6	2	
39	PW08A	PW, M8 (A)	24	
40	PW06A	PW, M6 (A)	12	
41	PW05	PW, M5	2	
42	SW08	SW, M8	4	
43	SW06	SW, M6	16	
44	SW04	SW, M4	2	
45	HN08	HN, M8	8	
46	KYA060625	Key, 6x6x25	1	
47	ER07S	Snap Ring, E-7 (SUS)	8	
48	BR6004 2RS	Bearing, 6004 2RS	4	
49	HBS0512	HBS, M5x12	2	
50	BR608 2RS	Bearing, 608 2RS	16	
51	HBS0650	HBS, M6x50	4	
52	BR6200 2RS	Bearing, 6200 2RS	12	
53	RR22	Snap Ring, H-22	8	

7-2 TABLE ROLLER ASS'Y (REAR) T6-7-40001 (For TP-601A)



7-2 TABLE ROLLER ASS'Y (REAR) T6-7-40001
(For TP-601A)

REF. NO.	PART NO.	DESCRIPTION	Q'TY	REMARKS
1	T6-7-40110	Table Roller (For 850W)	1	
	T6-7-40110S	Table Roller (For 850W) (Stainless Steel Model)	1	
	T6-7-40111	Table Roller (For 1050W, 1250W)	1	
	T6-7-40111S	Table Roller (For 1050W, 1250W) (Stainless Steel Model)	1	
2	T6-7-40130	Table Roller (For 850W)	1	
	T6-7-40130S	Table Roller (For 850W) (Stainless Steel Model)	1	
	T6-7-40131	Table Roller (For 1050W, 1250W)	1	
	T6-7-40131S	Table Roller (For 1050W, 1250W) (Stainless Steel Model)	1	
3	T6-7-40140	Table Roller (For 850W)	3	
	T6-7-40140S	Table Roller (For 850W) (Stainless Steel Model)	3	
	T6-7-40141	Table Roller (For 1050W, 1250W)	3	
	T6-7-40141S	Table Roller (For 1050W, 1250W) (Stainless Steel Model)	3	
4	T6-7-40170	Shaft (For 850W)	1	
	T6-7-40170S	Shaft (For 850W) (Stainless Steel Model)	1	
	T6-7-40171	Shaft (For 1050W, 1250W)	1	
	T6-7-40171S	Shaft (For 1050W, 1250W) (Stainless Steel Model)	1	
5	T6-7-40260	Bracket	1	
6	T6-7-40280	Bracket	1	
7	T6-7-40350	Support	1	
	T6-7-40350S	Support (Stainless Steel Model)	1	
8	T6-7-40360	Bracket	1	
9	T6-7-40370	Bracket	1	
10	T6-7-40380	Support	1	
11	T6-7-40410	Bracket	1	
12	T6-7-40420	Shaft (For 850W)	1	
	T6-7-40420S	Shaft (For 850W) (Stainless Steel Model)	1	
	T6-7-40421	Shaft (For 1050W, 1250W)	1	
	T6-7-40421S	Shaft (For 1050W, 1250W) (Stainless Steel Model)	1	

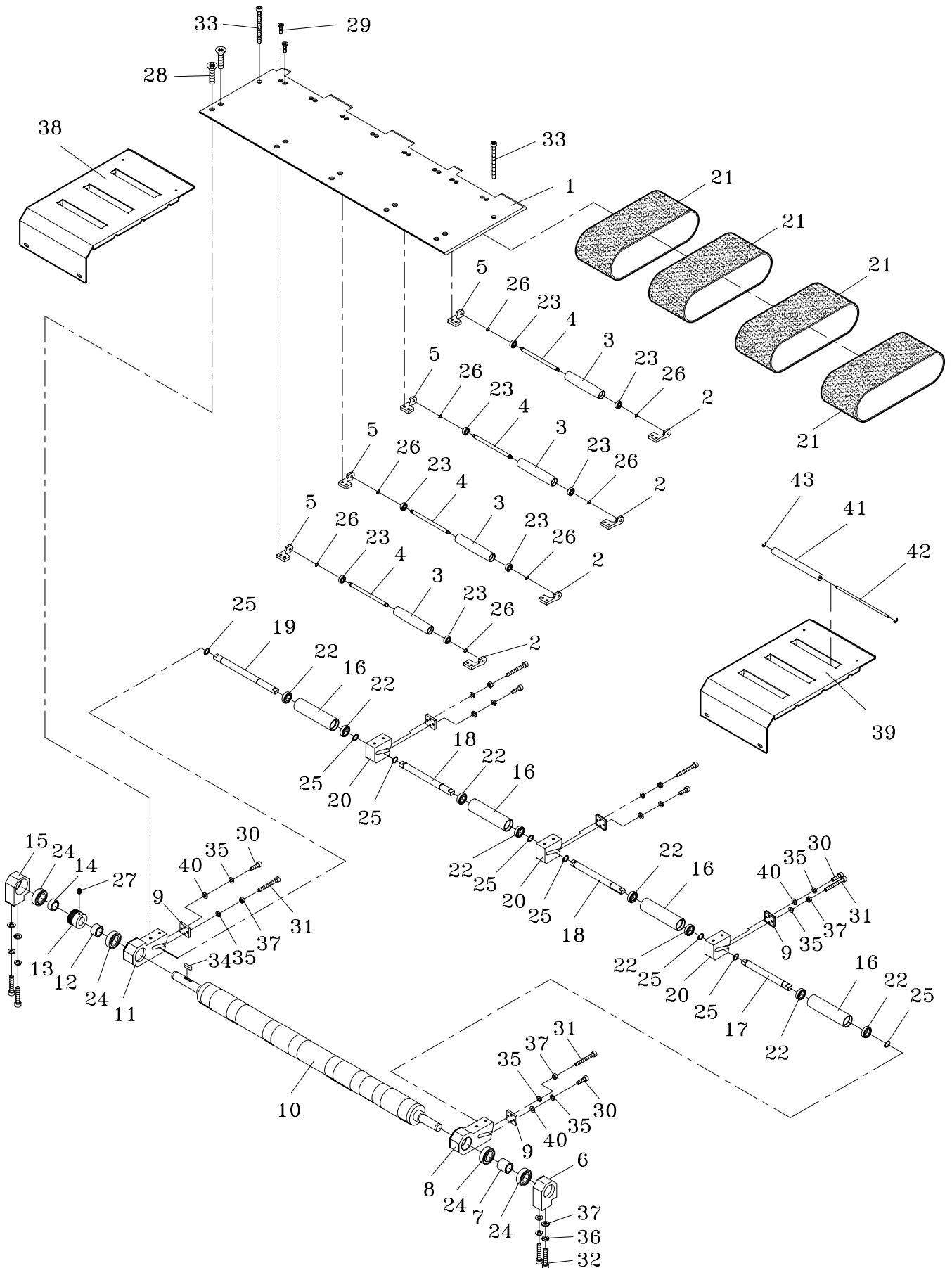
7-2 TABLE ROLLER ASS'Y (REAR) T6-7-40001
(For TP-601A)

REF. NO.	PART NO.	DESCRIPTION	Q'TY	REMARKS
13	T6-7-40430	Shaft	1	
	T6-7-40430S	Shaft (Stainless Steel Model)	1	
14	T6-7-40440	Table Roller	1	
	T6-7-40440S	Table Roller (Stainless Steel Model)	1	
15	T6-7-40450	Table Roller	1	
	T6-7-40450S	Table Roller (Stainless Steel Model)	1	
16	T6-7-40460	Table Roller	1	
	T6-7-40460S	Table Roller (Stainless Steel Model)	1	
17	T6-7-40470	Table Roller	1	
	T6-7-40470S	Table Roller (Stainless Steel Model)	1	
18	T6-7-40480	Shaft (For 850W)	1	
	T6-7-40480S	Shaft (For 850W) (Stainless Steel Model)	1	
	T6-7-40481	Shaft (For 1050W, 1250W)	1	
	T6-7-40481S	Shaft (For 1050W, 1250W) (Stainless Steel Model)	1	
19	T6-7-40490	Shaft (For 850W)	1	
	T6-7-40490S	Shaft (For 850W) (Stainless Steel Model)	1	
	T6-7-40491	Shaft (For 1050W)	1	
	T6-7-40491S	Shaft (For 1050W)(Stainless Steel Model)	1	
20	T6-7-40520	Bracket	1	
21	T6-7-40530	Table Handle	2	
	T6-7-40530S	Table Handle (Stainless Steel Model)	2	
22	T6-7-40540	Support	1	
	T6-7-40540S	Support (Stainless Steel Model)	1	
23	T6-7-40550	Bracket	1	
	T6-7-40550S	Bracket (Stainless Steel Model)	1	
24	T6-7-40560	Bracket	1	
	T6-7-40560S	Bracket (Stainless Steel Model)	1	
25	T6-7-50520	Spacer	2	
	T6-7-50520S	Spacer (Stainless Steel Model)	2	
26	T6-7-50530	Pulley	1	
27	T6-7-50540	Spacer	1	
	T6-7-50540S	Spacer (Stainless Steel Model)	1	
28	T6-7-50750	Upper Table Front (For 1250W)	1	
	T6-7-50750S	Upper Table Front (For 1250W) (Stainless Steel Model)	1	
29	T6-7-70180	Plunger	8	

7-2 TABLE ROLLER ASS'Y (REAR) T6-7-40001
(For TP-601A)

REF. NO.	PART NO.	DESCRIPTION	Q'TY	REMARKS
	T6-7-70180S	Plunger (Stainless Steel Model)	8	
30	T6-7-70190	Roller	8	
31	T6-7-70210	Spring	8	
	T6-7-70210S	Spring (Stainless Steel Model)	8	
32	T6-7-70270	Shaft	8	
	T6-7-70270S	Shaft (Stainless Steel Model)	8	
33	MB1015	Metal Bush, 1015	8	
34	RR42	Snap Ring, H-42	2	
35	SR10	Stop Ring, S-10	14	
36	ER10	Snap Ring, E-10	8	
37	HBS0635	HBS, M6x35	4	
38	HBS0610	HBS, M6x10	4	
39	HBS0616	HBS, M6x16	2	
40	BR6004 2RS	Bearing, 6004 2RS	4	
41	TMS0325	TMS, M3x25	4	
42	HB0616	HB, M6x16	2	
43	PW08A	PW, M8 (A)	24	
44	PW06A	PW, M6 (A)	8	
45	BR608 2RS	Bearing, 608 2RS	16	
46	SW06	SW, M6	20	
47	HN03	HN, M3	4	
48	HN08	HN, M8	4	
49	HSS0506	HSS, M5x6	2	
50	KYA060625	Key, 6x6x25	1	
51	HSS0508	HSS, M5x8	1	
52	BR6200 2RS	Bearing, 6200 2RS	16	
53	ER07S	Snap Ring, E-7 (SUS)	8	
54	HBS0510	HBS, M5x10	2	
55	SW05	SW, M5	2	
56	HBS0650	HBS, M6x50	8	
57	T6-5-11120	Table Roller (For 1250W)	3	
	T6-5-11121	Table Roller (For 1250W) (Stainless Steel Model)	3	
58	T6-5-11130	Table Roller Shaft (For 1250W)	3	
	T6-5-11131	Table Roller Shaft (For 1250W) (Stainless Steel Model)	3	
59	RR22	Snap Ring, H-22	8	

7-3 TABLE BELT ASS'Y, FRONT SET T6-7-50000 (For TP-601B, TP-601BP)



7-3 TABLE BELT ASS'Y, FRONT SET T6-7-50000
(For TP-601B, TP-601BP)

REF. NO.	PART NO.	DESCRIPTION	Q'TY	REMARKS
1	T6-7-50410	Upper Table Front (For 850W,1250W)	1	
	T6-7-50410S	Upper Table Front (For 850W,1250W) (Stainless Steel Model)	1	
	T6-7-50411	Upper Table Front (For 1050W)	1	
	T6-7-50411S	Upper Table Front (For 1050W) (Stainless Steel Model)	1	
2	T6-7-50420	Bracket	4	
3	T6-7-50430	Roller	4	
	T6-7-50430S	Roller (Stainless Steel Model)	4	
4	T6-7-50440	Shaft	4	
	T6-7-50440S	Shaft (Stainless Steel Model)	4	
5	T6-7-50450	Bracket	4	
6	T6-7-50461	Bracket	1	
7	T6-7-50471	Spacer	1	
	T6-7-50471S	Spacer (Stainless Steel Model)	1	
8	T6-7-50483	Bracket	1	
9	T6-7-50491	Cover	5	
	T6-7-50491S	Cover (Stainless Steel Model)	5	
10	T6-7-50500	Shaft (For 850W,1250W)	1	
	T6-7-50500S	Shaft (For 850W,1250W) (Stainless Steel Model)	1	
	T6-7-50501	Shaft (For 1050W)	1	
	T6-7-50501S	Shaft (For 1050W) (Stainless Steel Model)	1	
11	T6-7-50513	Bracket	1	
12	T6-7-50522	Spacer	1	
	T6-7-50522S	Spacer (Stainless Steel Model)	1	
13	T6-7-50530	Pulley	1	
14	T6-7-50541	Spacer	1	
	T6-7-50541S	Spacer (Stainless Steel Model)	1	
15	T6-7-50551	Bracket	1	
16	T6-7-50560	Roller	4	
	T6-7-50560S	Roller (Stainless Steel Model)	4	
17	T6-7-50570	Shaft	1	
	T6-7-50570S	Shaft (Stainless Steel Model)	1	
18	T6-7-50580	Shaft	2	
	T6-7-50580S	Shaft (Stainless Steel Model)	2	

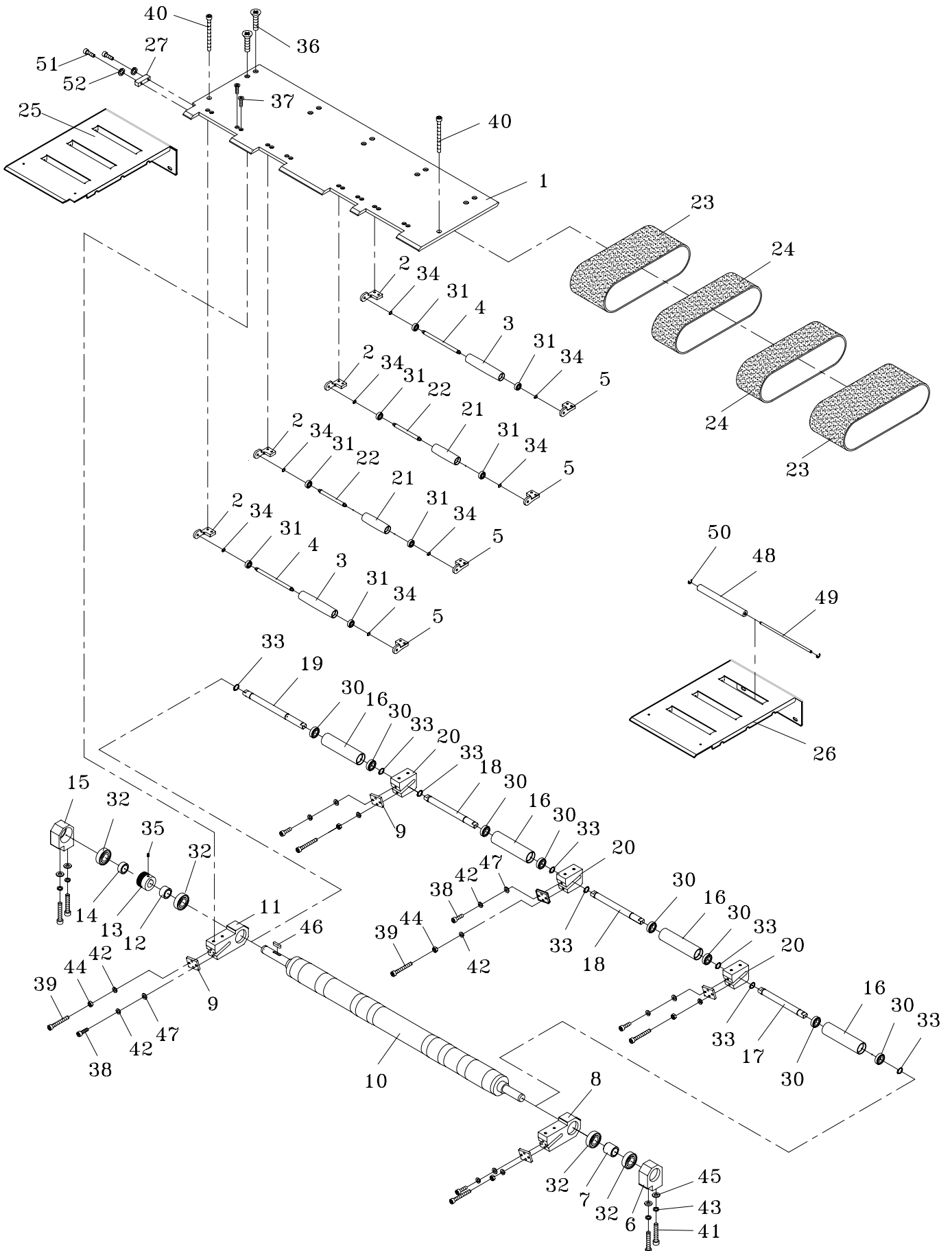
7-3 TABLE BELT ASS'Y, FRONT SET T6-7-50000
(For TP-601B, TP-601BP)

REF. NO.	PART NO.	DESCRIPTION	Q'TY	REMARKS
19	T6-7-50590	Shaft (For 850W,1250W)	1	
	T6-7-50590S	Shaft (For 850W,1250W) (Stainless Steel Model)	1	
	T6-7-50591	Shaft (For 1050W)	1	
	T6-7-50591S	Shaft (For 1050W) (Stainless Steel Model)	1	
20	T6-7-50601	Bracket	3	
21	T6-7-50610	Free Passage Conveyor Belt	4	
22	BR6902 2RS	Bearing, 6902 2RS	8	
23	BR698 2RS	Bearing, 698 2RS	8	
24	BR2204 2RS	Bearing, 2204 2RS	4	
25	SR15	Stop Ring, S-15	8	
26	SR8	Stop Ring, S-8	8	
27	HSS0506	HSS, M5x6	1	
28	FMS0620	FMS, M6x20	10	
	FMS0620S	FMS, M6x20 (Stainless Steel Model)	10	
29	FMS0516	FMS, M5x16	16	
	FMS0516S	FMS, M5x16 (Stainless Steel Model)	16	
30	HBS0512	HBS, M5x12	20	
	HBS0512S	HBS, M5x12 (Stainless Steel Model)	20	
31	HBS0540	HBS, M5x40	8	
	HBS0540S	HBS, M5x40 (Stainless Steel Model)	8	
32	HBS0635	HBS, M6x35	4	
	HBS0635S	HBS, M6x35 (Stainless Steel Model)	4	
33	HBS0665H	HBS, M6x65 (H)	2	
	HBS0665HS	HBS, M6x65 (H) (Stainless Steel Model)	2	
34	KYA060625	Key, 6x6x25	1	
35	SW05	SW, M5	20	
	SW05S	SW, M5 (Stainless Steel Model)	20	
36	SW06	SW, M6	4	
	SW06S	SW, M6 (Stainless Steel Model)	4	
37	PW06C	PW, M6 (C)	4	
	PW06CS	PW, M6 (C) (Stainless Steel Model)	4	
38	T6-7-50740	Upper Table Front (For 1250W)	1	
	T6-7-50740S	Upper Table Front (For 1250W) (Stainless Steel Model)	1	
39	T6-7-50730	Upper Table Rear (For 1250W)	1	
	T6-7-50730S	Upper Table Rear (For 1250W) (Stainless Steel Model)	1	

7-3 TABLE BELT ASS'Y, FRONT SET T6-7-50000
(For TP-601B, TP-601BP)

REF. NO.	PART NO.	DESCRIPTION	Q'TY	REMARKS
40	PW05	PW, M5	20	
	PW05S	PW, M5	20	
41	T6-5-11120	Table Roller (For 1250W)	6	
	T6-5-11121	Table Roller (For 1250W) (Stainless Steel Model)	6	
42	T6-5-11130	Table Roller Shaft (For 1250W)	6	
	T6-5-11131	Table Roller Shaft (For 1250W) (Stainless Steel Model)	6	
43	ER07S	Snap Ring, E-7 (For 1250W) (SUS)	12	

7-4 TABLE BELT ASS'Y, REAR SET T6-7-50001 (For TP-601B, TP-601BP)



7-4 TABLE BELT ASS'Y, REAR SET T6-7-50001
(For TP-601B, TP-601BP)

REF. NO.	PART NO.	DESCRIPTION	Q'TY	REMARKS
1	T6-7-50112	Upper Table Rear (850W, 1250W)	1	
	T6-7-50113	Upper Table Rear (For 1050W)	1	
2	T6-7-50420	Bracket	4	
3	T6-7-50430	Roller	2	
4	T6-7-50440	Shaft	2	
	T6-7-50440S	Shaft (Stainless Steel Model)	2	
5	T6-7-50450	Bracket	4	
6	T6-7-50461	Bracket	1	
7	T6-7-50471	Spacer	1	
	T6-7-50471S	Spacer (Stainless Steel Model)	1	
8	T6-7-50483	Bracket	1	
9	T6-7-50491	Cover	5	
	T6-7-50491S	Cover (Stainless Steel Model)	5	
10	T6-7-50400	Shaft (For 850W,1250W)	1	
	T6-7-50400S	Shaft (For 850W,1250W) (Stainless Steel Model)	1	
	T6-7-50401	Shaft (For 1050W)	1	
	T6-7-50401S	Shaft (For 1050W) (Stainless Steel Model)	1	
11	T6-7-50513	Bracket	1	
12	T6-7-50522	Spacer	1	
	T6-7-50522S	Spacer (Stainless Steel Model)	1	
13	T6-7-50530	Pulley	1	
14	T6-7-50541	Spacer	1	
	T6-7-50541S	Spacer (Stainless Steel Model)	1	
15	T6-7-50551	Bracket	1	
16	T6-7-50560	Roller	4	
17	T6-7-50570	Shaft	1	
	T6-7-50570S	Shaft (Stainless Steel Model)	1	
18	T6-7-50580	Shaft	2	
	T6-7-50580S	Shaft (Stainless Steel Model)	2	
19	T6-7-50590	Shaft (For 850W,1250W)	1	
	T6-7-50590S	Shaft (For 850W,1250W) (Stainless Steel Model)	1	
	T6-7-50591	Shaft (For 1050W)	1	
	T6-7-50591S	Shaft (For 1050W) (Stainless Steel Model)	1	

7-4 TABLE BELT ASS'Y, REAR SET T6-7-50001
(For TP-601B, TP-601BP)

REF. NO.	PART NO.	DESCRIPTION	Q'TY	REMARKS
20	T6-7-50601	Bracket	3	
21	T6-7-50710	Roller	2	
	T6-7-50710S	Roller (Stainless Steel Model)	2	
22	T6-7-50720	Shaft	2	
	T6-7-50720S	Shaft (Stainless Steel Model)	2	
23	T6-7-50610	Free passage conveyor Belt	2	
24	T6-7-50340	Free passage conveyor Belt	2	
25	T6-7-50750	Upper Table Front (For 1250W)	1	
	T6-7-50750S	Upper Table Front (For 1250W) (Stainless Steel Model)	1	
26	T6-7-50730	Upper Table Rear (For 1250W)	1	
	T6-7-50730S	Upper Table Rear (For 1250W) (Stainless Steel Model)	1	
27	T6-7-50120	Bracket (For TP-601B)	1	
	T6-7-50120S	Bracket (For TP-601B) (Stainless Steel Model)	1	
30	BR6902 2RS	Bearing, 6902 2RS	8	
31	BR698 2RS	Bearing, 698 2RS	8	
32	BR2204 2RS	Bearing, 2204 2RS	4	
33	SR15	Stop Ring, S-15	8	
34	SR8	Stop Ring, S-8	8	
35	HSS0506	HSS, M5x6	1	
36	FMS0620	FMS, M6x20	10	
	FMS0620S	FMS, M6x20 (Stainless Steel Model)	10	
37	FMS0516	FMS, M5x16	16	
38	HBS0516	HBS, M5x16	20	
	HBS0516S	HBS, M5x16 (Stainless Steel Model)	20	
39	HBS0540	HBS, M5x40	8	
	HBS0540S	HBS, M5x40 (Stainless Steel Model)	8	
40	HBS0665H	HBS, M6x65 (H)	2	
	HBS0665SH	HBS, M6x65 (Stainless Steel Model) (H)	2	
41	HBS0635	HBS, M6x35	4	
	HBS0635S	HBS, M6x35 (Stainless Steel Model)	4	
42	SW05	SW, M5	20	
	SW05S	SW, M5 (Stainless Steel Model)	20	

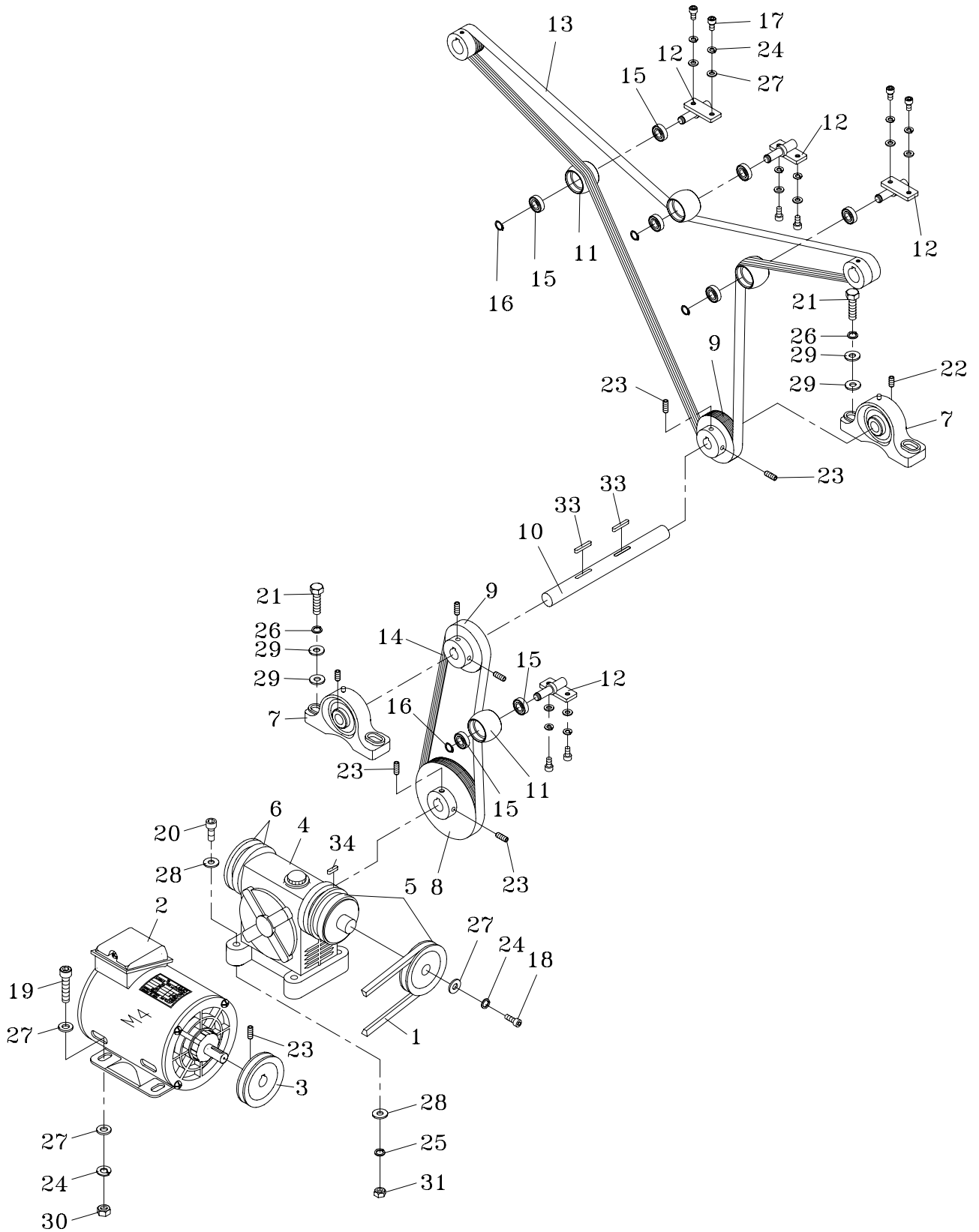
7-4 TABLE BELT ASS'Y, REAR SET T6-7-50001
(For TP-601B, TP-601BP)

REF. NO.	PART NO.	DESCRIPTION	Q'TY	REMARKS
43	SW06	SW, M6	4	
	SW06S	SW, M6 (Stainless Steel Model)	4	
44	HN05	HN, M5	8	
	HN05S	HN, M5 (Stainless Steel Model)	8	
45	PW06C	PW, M6 (C)	4	
46	KYA060625	Key, 6x6x25	1	
47	PW05	PW, M5	20	
	PW05S	PW, M5 (Stainless Steel Model)	20	
48	T6-5-11120	Table Roller (For 1250W)	6	
	T6-5-11121	Table Roller (For 1250W) (Stainless Steel Model)	6	
49	T6-5-11130	Table Roller Shaft (For 1250W)	6	
	T6-5-11131	Table Roller Shaft (SUS) (For 1250W)	6	
50	ER07S	Snap Ring, E-7 (For 1250W) (SUS)	12	
51	HBS0416	HBS, M4x16 (For TP-601B)	2	
	HBS0416S	HBS, M4x16 (For TP-601B) (Stainless Steel Model)	2	
52	SW04	SW, M4	2	

7-5

TRANSMISSION ASS'Y

T6-7-60000



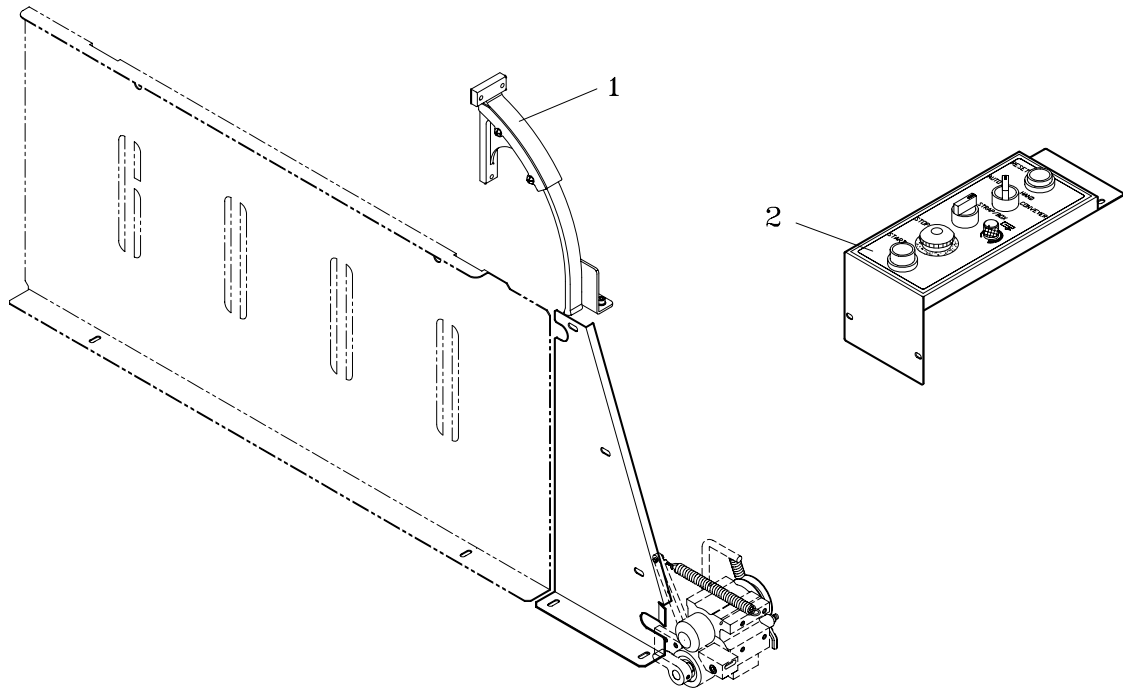
7-5

TRANSMISSION ASS'Y

T6-7-60000

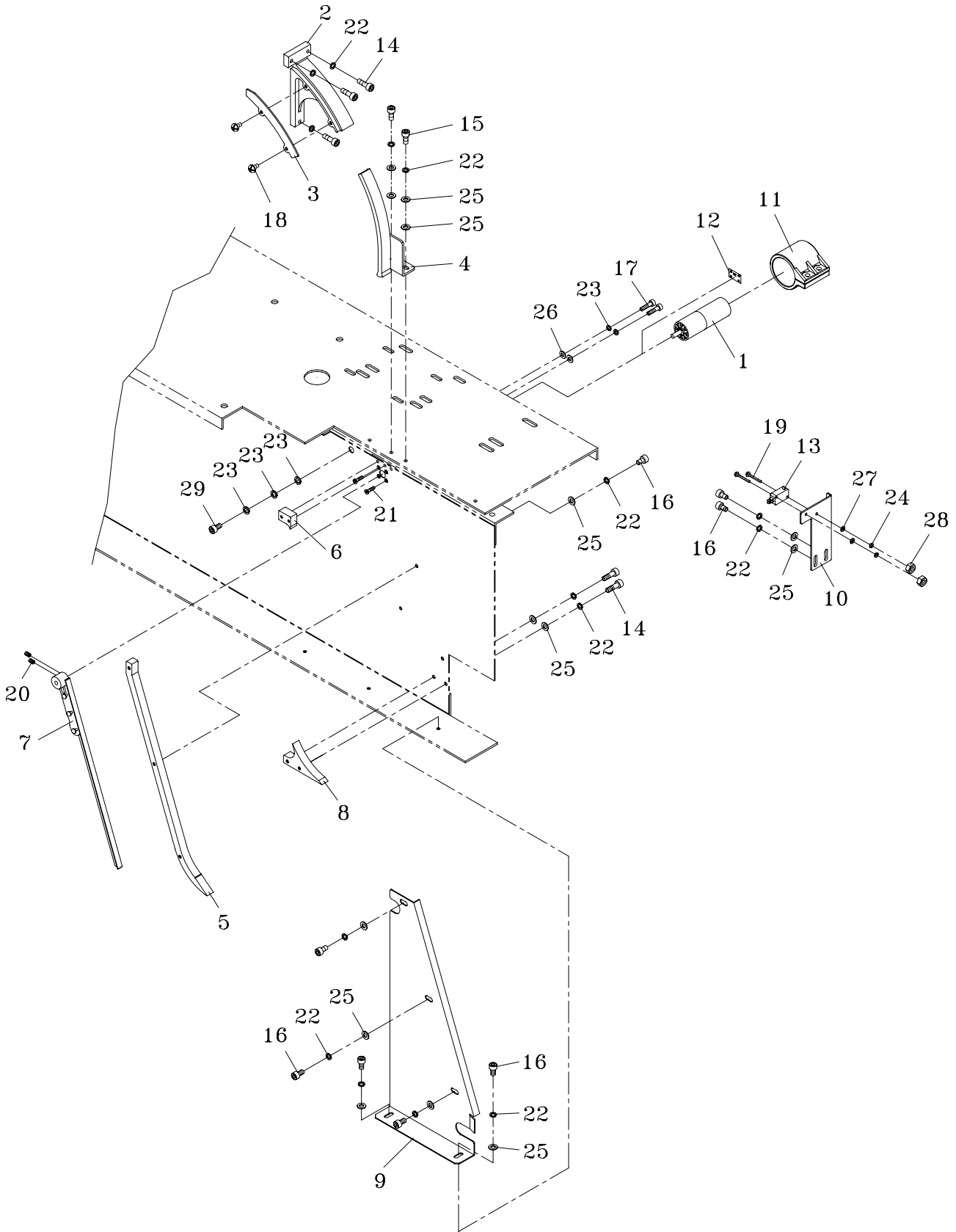
REF. NO.	PART NO.	DESCRIPTION	Q'TY	REMARKS
1	T6-1-10200	V-Belt (A26)	1	
2	T6-6-10442	Motor (For M4, 220V)	1	
3	T6-6-30002	Motor (M1) Pulley (For 1Phase)	1	
4	T6-7-20140	Gear Box	1	
5	T6-7-20150	Clutch Set	1	
6	T6-7-20160	Brake Set	1	
7	T6-7-20180	Bearing Set	2	
8	T6-7-60110	Pulley	1	
9	T6-7-60190	Pulley	2	
10	T6-7-60200	Shaft	1	
	T6-7-60200S	Shaft (Stainless Steel Model)	1	
11	T6-7-60211	Tension Pulley	4	
12	T6-7-60220	Tension Pulley Bracket	4	
	T6-7-60220S	Tension Pulley Bracket (Stainless Steel Model)	4	
13	T6-7-60230	Belt (For TP-601B)	1	
	T6-7-60231	Belt (For TP-601A)	1	
14	T6-7-60240	Belt	1	
15	BR6900ZZ	Bearing, 6900ZZ	8	
16	SR10	Stop Ring, S-10	4	
17	HBS0612	HBS, M6x12	8	
18	HBS0615	HBS, M6x15	1	
19	HBS0620	HBS, M6x20	4	
20	HBS0840	HBS, M8x40	4	
21	HB1035	HB, M10x35	4	
22	HSS0608	HSS, M6x8	2	
23	HSS0610	HSS, M6x10	7	
24	SW06	SW, M6	13	
25	SW08	SW, M8	4	
26	SW10	SW, M10	4	
27	PW06C	PW, M6 (C)	17	
28	PW08C	PW, M8 (C)	8	
29	PW10	PW, M10	8	
30	HN06	HN, M6	4	
31	HN08	HN, M8	4	
32	HN10	HN, M10	4	
33	KYA050530	Key, 5x5x30	2	
34	KYA050535	Key, 5x5x35	1	

8

AUTO STRAP FEEDING UNIT**T6-8-90003****T6-8-90004**

REF. NO.	PART NO.	DESCRIPTION	Q'TY	REMARKS
1	T6-8-90003	Auto Strap Feeding Unit (For 9mm)	1	
	T6-8-90004	Auto Strap Feeding Unit (For 12mm)	1	
	T6-8-10000	Auto Strap Feeding Group (For 9mm)	1	SEE PAGE 98
	T6-8-10001	Auto Strap Feeding Group (For 12mm)	1	SEE PAGE 98
2	T6-8-50001	Electric Group	1	SEE PAGE 101

8-1 AUTO STRAP FEEDING GROUP T6-8-10000 T6-8-10001



8-1 AUTO STRAP FEEDING GROUP T6-8-10000
T6-8-10001

REF. NO.	PART NO.	DESCRIPTION	Q'TY	REMARKS
	T6-8-10000	Auto Strap Feeding Group (For 9mm)	1	
	T6-8-10001	Auto Strap Feeding Group (For 12mm)	1	
1	T6-1-61210	Motor (M5)	1	
2	T6-8-10110	Feed Unit Guide	1	
3	T6-8-10120	Guide Cover	1	
4	T6-8-10130	Feed Shooter	1	
5	T6-8-10140	Strap Guide (For 12mm)	1	
	T6-8-10141	Strap Guide (For 9mm)	1	
6	T6-8-10150	Strap Guide (For 12mm)	1	
	T6-8-10151	Strap Guide (For 9mm)	1	
7	T6-8-10160	Control Lever (For 12mm)	1	
	T6-8-10161	Control Lever (For 9mm)	1	
8	T6-8-10180	Strap Guide (For 12mm)	1	
	T6-8-10181	Strap Guide (For 9mm)	1	
9	T6-8-10190	Accumulator Cover	1	
	T6-8-10190S	Accumulator Cover (Stainless Steel Model)	1	
10	T6-8-10210	Bracket	1	
	T6-8-10210S	Bracket (Stainless Steel Model)	1	
11	T6-8-10410	Motor Cover	1	
12	T7-3-10720	Panel	1	
13	TF-007	Micro Switch	1	
14	HBS0516	HBS, M5x16	5	
15	HBS0510	HBS, M5x10	2	
16	HBS0508	HBS, M5x8	10	
	HBS0508S	HBS, M5x8 (Stainless Steel Model)	10	
17	HBS0416	HBS, M4x16	2	
18	TMS0508	TMS, M5x8	2	
19	PMS0320	PMS, M3x20	2	
20	HSS0406	HSS, M4x6	2	
21	FMS0310	FMS, M3x10	4	
22	SW05	SW, M5	17	
	SW05S	SW, M5 (Stainless Steel Model)	17	
23	SW04	SW, M4	5	
24	SW03	SW, M3	2	
25	PW05	PW, M5	16	
	PW05S	PW, M5 (Stainless Steel Model)	16	
26	PW04	PW, M4	2	

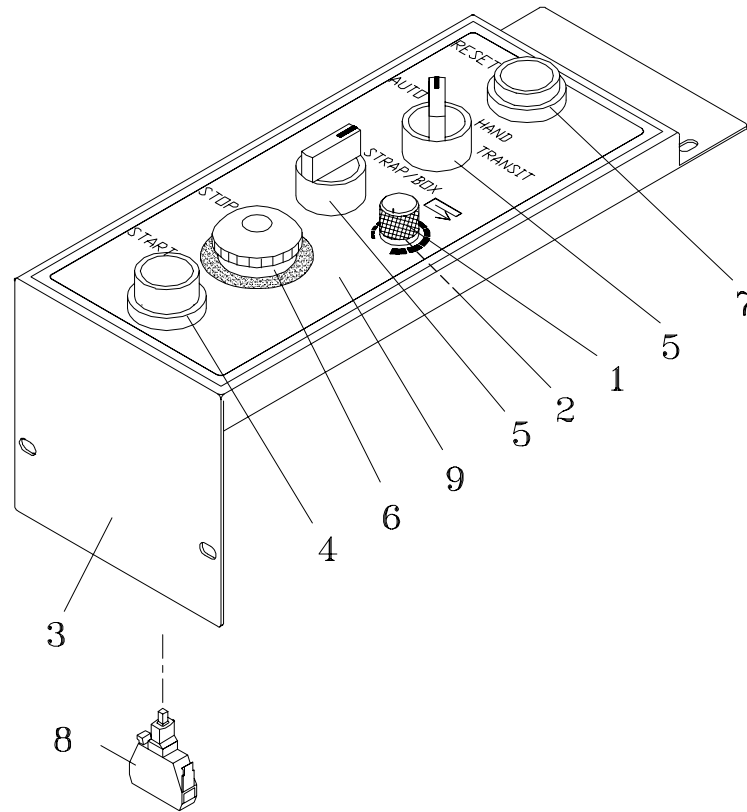
8-1 AUTO STRAP FEEDING GROUP**T6-8-10000****T6-8-10001**

REF. NO.	PART NO.	DESCRIPTION	Q'TY	REMARKS
27	PW03	PW, M3	2	
28	HN03	HN, M3	2	
29	HBS0408	HBS, M4x8	1	

8-5

ELECTRIC GROUP

T6-8-50001



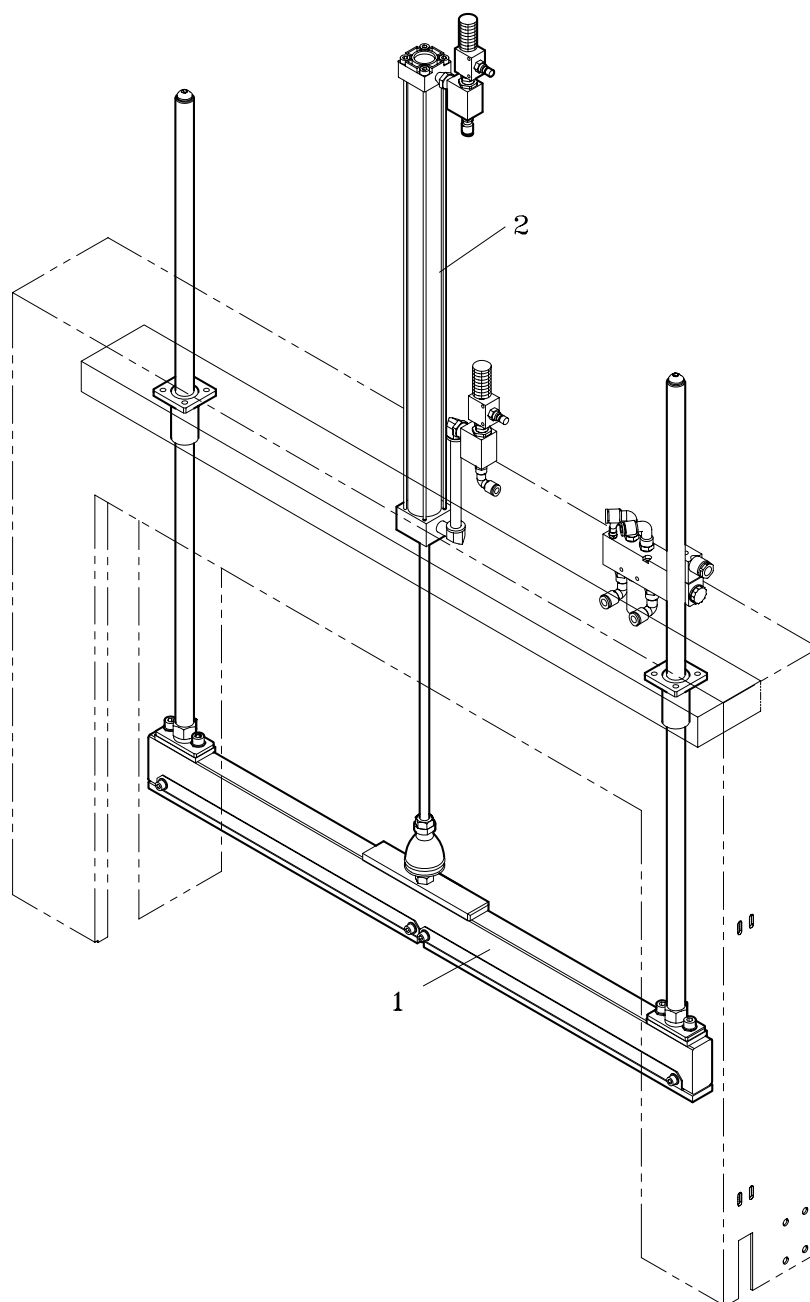
REF. NO.	PART NO.	DESCRIPTION	Q'TY	REMARKS
1	T5-4-10221	Knob (§ 3.0)	1	
	T5-4-10222	Knob (§ 6.0)	1	
2	T5-4-10231	Variable Resistor (5K) (§ 3.0)	1	
	T5-4-10232	Variable Resistor (5K) (§ 6.0)	1	
3	T6-5-50242	Control Plate	1	
	T6-5-50242S	Control Plate (Stainless Steel Model)	1	
4	T6-6-10301	Start Switch	1	
5	T6-6-10570	Selector Switch	2	
6	T6-6-30009	Stop Switch	1	
7	T6-6-40015	Reset Switch	1	
8	T6-8-40180	Lamp	1	
9	T6-8-50161	Control Panel	1	

9

PNEUMATIC UNIT

(For TP-601BP)

T6-9-90001

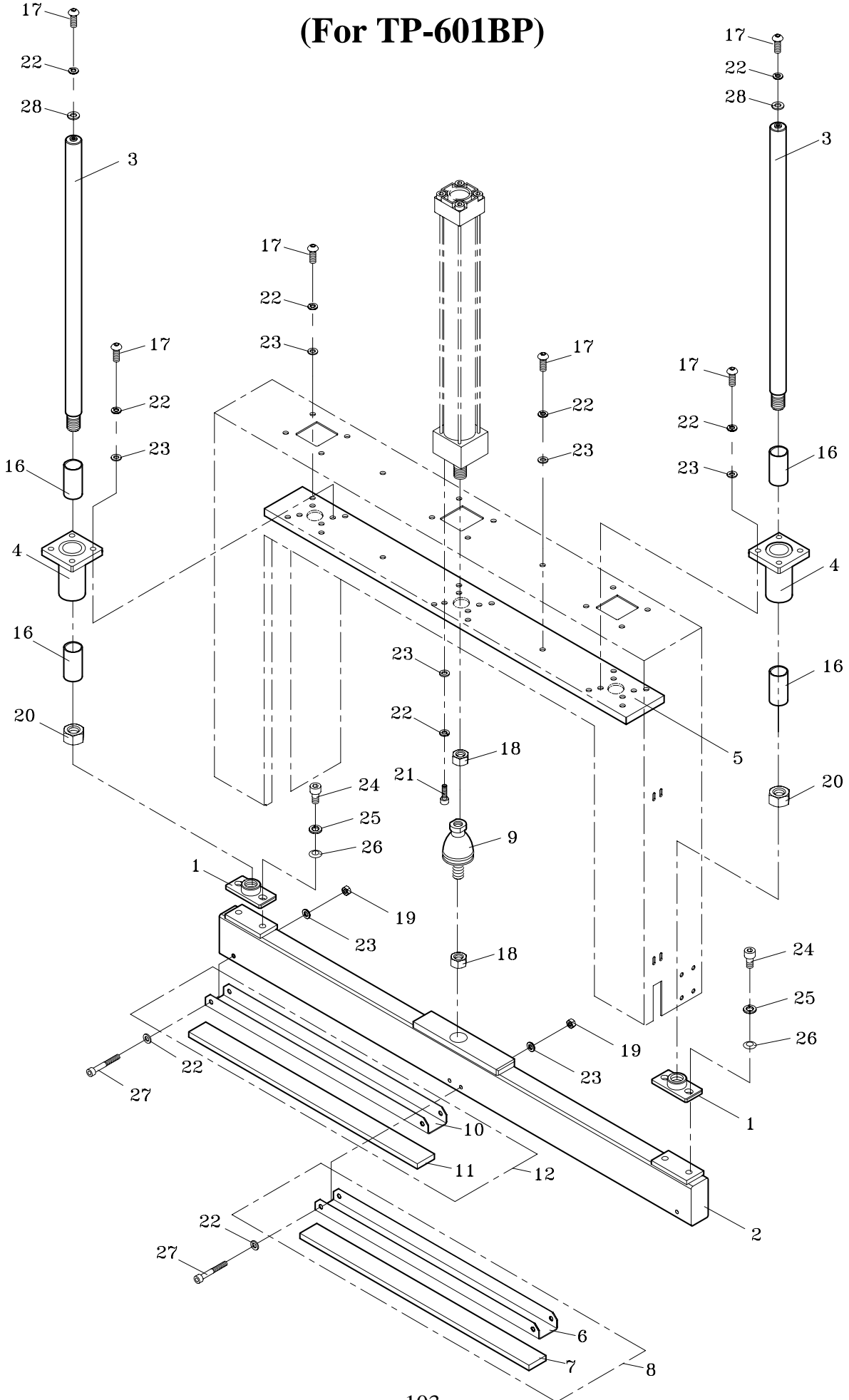


REF. NO.	PART NO.	DESCRIPTION	Q'TY	REMARKS
1	T6-9-50000	PRESS BAR	1	SEE PAGE 103
2	T6-9-60000	PNEUMATIC PARTS (For 400H)	1	SEE PAGE 106
	T6-9-60001	PNEUMATIC PARTS (For 600H)	1	SEE PAGE 106
	T6-9-60002	PNEUMATIC PARTS (For 800H)	1	SEE PAGE 106
	T6-9-60003	PNEUMATIC PARTS (For 1000H)	1	SEE PAGE 106

9-1

PRESS BAR (For TP-601BP)

T6-9-50000



9-1**PRESS BAR
(For TP-601BP)****T6-9-50000**

REF. NO.	PART NO.	DESCRIPTION	QTY	REMARKS
1	T6-9-50030	Bracket	2	
	T6-9-50030S	Bracket (Stainless Steel Model)	2	
2	T6-9-50070	Press Bar (For 850W)	1	
	T6-9-50071	Press Bar (For 1050W)	1	
	T6-9-50072	Press Bar (For 1250W)	1	
3	T6-9-50080	Shaft (For 600H)	2	
	T6-9-50080S	Shaft (For 600H) (Stainless Steel Model)	2	
	T6-9-50081	Shaft (For 800H)	2	
	T6-9-50081S	Shaft (For 800H)(Stainless Steel Model)	2	
	T6-9-50082	Shaft (For 1000H)	2	
	T6-9-50082S	Shaft (For 1000H)(Stainless Steel Model)	2	
	T6-9-50083	Shaft (For 400H)	2	
	T6-9-50083S	Shaft (For 400H)(Stainless Steel Model)	2	
4	T6-9-50090	Bracket	2	
	T6-9-50090S	Bracket (Stainless Steel Model)	2	
5	T6-9-50100	Cylinder Bracket	1	
	T6-9-50100S	Cylinder Bracket (Stainless Steel Model)	1	
6	T6-9-50110	Press Bar Absorber Plate (For 850W)	2	
		Press Bar Absorber Plate (For 1250W)	3	
7	T6-9-50120	Press Bar Absorber (For 850W)	2	
		Press Bar Absorber (For 1250W)	3	
8	T6-9-50130	Press Bar Absorber Ass'y (For 850W)	2	
		Press Bar Absorber Ass'y (For 1250W)	3	
9	T6-9-50140	Swivel Joint	1	
10	T7-8-10390	Press Bar Absorber Plate (For 1050W)	2	
11	T7-8-10400	Press Bar Absorber (For 1050W)	2	
12	T7-8-10430	Press Bar Absorber Ass'y (For 1050W)	2	
16	MB2030	Metal Bush, 2030	4	
17	THS0616N	THS, M6x16 (N)	24	
18	HN12	HN, M12	2	
19	HN06	HN, M6	4	
20	HN16	HN, M16	2	
21	HBS0620	HBS, M6x20	4	
22	PW06A	PW, M6 (A)	32	

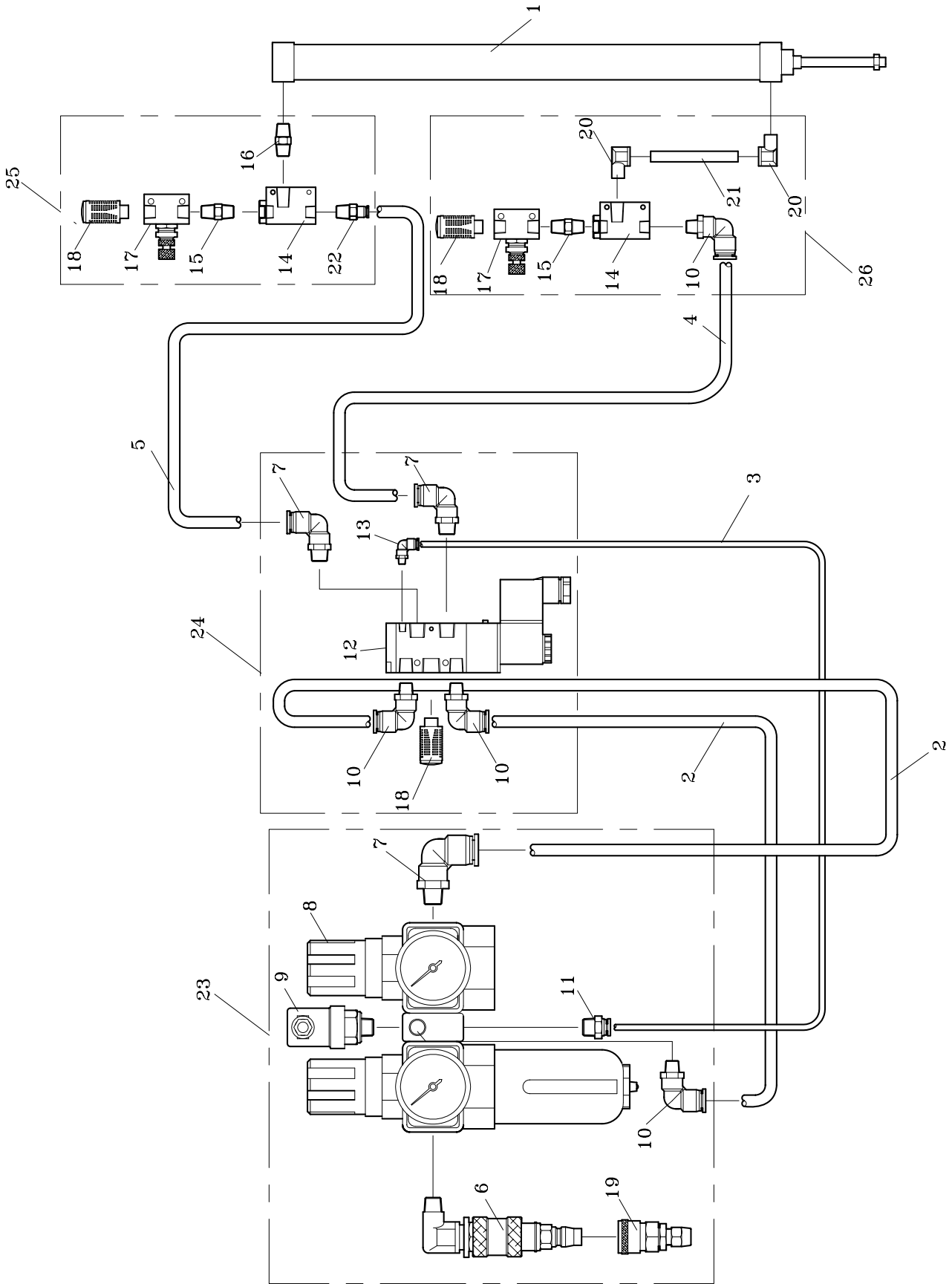
9-1**PRESS BAR
(For TP-601BP)****T6-9-50000**

REF. NO.	PART NO.	DESCRIPTION	Q'TY	REMARKS
23	SW06	SW, M6	28	
24	HBS0816	HBS, M8x16	5	
25	PW08A	PW, M8 (A)	5	
26	SW08	SW, M8	5	
27	HBS0640	HBS, M6x40	4	
28	PW10	PW, M10	2	

9-2

PNEUMATIC PARTS
(For TP-601BP)

T6-9-60000



9-2

**PNEUMATIC PARTS
(For TP-601BP)**

T6-9-60000

REF. NO.	PART NO.	DESCRIPTION	Q'TY	REMARKS
1	T6-9-50060	Cylinder (For 600H)	1	
	T6-9-50061	Cylinder (For 800H)	1	
	T6-9-50062	Cylinder (For 1000H)	1	
	T6-9-50063	Cylinder (For 400H)	1	
2	PU081830	PU Tubing, (For 850Wx600H)	2	
3	PU041900	PU Tubing, (For 850Wx600H)	1	
4	PU080190	PU Tubing, (For 850x600H)	1	
5	PU080800	PU Tubing, (For 850x600H)	1	
6	T6-9-60040	Quick Coupler (Male), 1/4" Ass'y	1	
7	T7-8-30160	Tube Fitting-Elbow, ø 8-38"	3	
8	T7-8-30170	Air F.R.R Units	1	
9	T7-8-30180	Pressure Switch	1	
10	T7-8-30190	Tube Fitting-Elbow, ø 8-1/4"	4	
11	T7-8-30200	Tube Fitting-Straight, ø 4-1/4"	1	
12	T7-8-30261	Solenoid Valve	1	
13	T7-8-30270	Tube Fitting-Elbow, ø 4-M5	1	
14	T7-8-30321	Quick Exhaust Valve	2	
15	T7-8-30331	Tube Fitting-Straight, 3/8"-3/8'	2	
16	T7-8-30332	Tube Fitting-Straight, 1/4"x1/4'	1	
17	T7-8-30341	Control Valve, 3/8"	2	
18	T7-8-30351	Resin Silencer, 3/8"	3	
19	T7-8-30370	Quick Coupler (Female), 6.5x10	1	
20	T7-8-30501	Tube Fitting-Elbow, 1/4"	2	
21	T7-8-30510	Tube Fitting-Straight, 1/4x2'	1	
22	T7-8-30520	Tube Fitting	1	
23	T7-8-30610	Air F.R.R Units Ass'y	1	
24	T7-8-30620	Solenoid Valve Ass'y	1	
25	T7-8-30630	Control Valve Ass'y	1	
26	T7-8-30640	Control Valve Ass'y	1	