

ROMP-5

Strapping Machine

MOSCA®
EAM MOSCA



- Cycle Speeds up to 50/Minute
- Simplified, Durable Design
- Superior Reliability

Innovative Strapping Systems

ROMP-5

Standard Features

Mosca strapping systems are renowned for superior performance in a broad range of applications. The ROMP5 is an operator cycled strapping system built around Mosca's DC brushless direct drive technology. Its combination of convenience, speed and reliability make it the superior solution for production driven users who want top performance from their production process.

- Direct drive sealer.
- Robust construction.
- Sliding drawer, side loading coil dispenser with push button coil threading for fast and convenient coil changes.
- Interlocked, hinged, removable tabletop for fast, convenient access to the sealer for cleaning or troubleshooting.
- Forms and ejects strap loops if accidentally cycled without a bundle. Avoids jamming.
- Precision single piece strap track for positive strap control and exceptional feed reliability with PP strap from 5 to 12mm wide.
- Control panel and footbar can be set for either right or left hand operation. Left hand standard.
- Two locking swivel casters and two fixed casters for easy mobility and positioning.
- Cycle speed of up to 50 per minute via footbar or photo-eye activation.

EAM-Mosca is a high performance systems company focused on the sale of superior strapping equipment whose performance is enhanced through the use of Mosca strapping and support:

- Our strapping is made from top grade materials using process parameters designed to minimize dimensional variation, dust creation and splitting while optimizing seal strength.
- We are committed to excellent customer service with typically next day strap and parts service.
- Professional technical support located throughout North America and Mexico with no-charge phone support available during normal business hours. Factory or on-site training is available for your technical and maintenance staff.



Technical Data

Production Rate: Up to 50 Bundles/Minute

Strapping: 5mm, 6mm, 8mm, 9mm and 12mm
Machine Grade PPY

Track Size: See chart. Custom track sizes available

Electrical: 110V 60 Hz, .5 KVA

Air Requirements: No requirement for standard machine.
10 CFM @87 psi with press option.

Table: Standard machine has stainless steel table top

Table Height: Standard Frame: 32.25" - 36.5" (820mm - 925mm); Low Frame: 28.75" - 32.85" (730 - 835mm) Available upon request.

Strap Tension: DC Motor Controlled, infinitely adjustable up to 80 lbs.

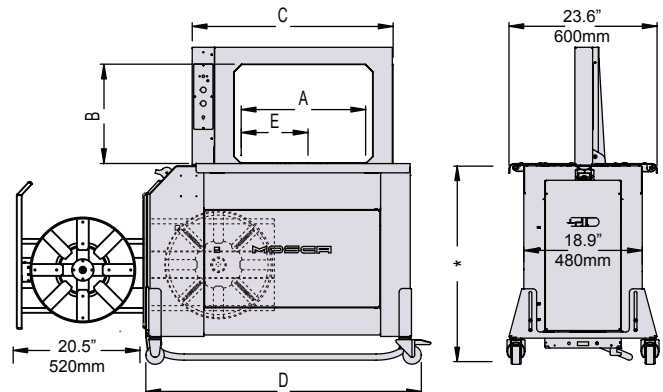
Strap Seal: Heat-seal, electronic temperature controlled

Machine Color: Mosca Blue RAL 5010

Machine Shipping Weight: Depending upon model, approx. 530 Lbs. on pallet

Casters: Heavy-duty, two swivel-lock and two fixed
Options:

- Pneumatic Press (reduces DIM B by 100 mm)
- Cylindrical Roller Table Top
- Roller Ball Table Top
- Photo-eye activation



* Standard Frame: 32.25" - 36.5" (820mm - 925mm);
Low Frame: 28.75" - 32.85" (730 - 835mm)

Standard Track Sizes	DIM				
	A	B	C	D	E
	mm	mm	mm	mm	mm
ROMP5-50/4	500	400	815	1170	250
ROMP5-60/5	600	500	915	1370	300
ROMP5-80/4	800	400	1115	1370	400
ROMP5-80/6	800	600	1115	1370	400
ROMP5-100/8	1000	800	1315	1570	400

EAM-Mosca Corporation

675 Jaycee Drive
West Hazleton, PA 18202
ph: 800.456.3420

570.459.3426

fx: 570.455.2442

www: info@eammosca.com

www.eammosca.com

In Canada, call or write:

EAM-Mosca (Canada) Ltd.

170 William Smith Drive
Whitby, Ontario L1N9N3

ph: 905.665.8225

fx: 905.665.8188