

Operator's Manual



GoCrease™ F-SPEED

Operator's Manual

TY PAC
Inc.

PO Box 425

Baldwinsville, NY 13027

800 356-8964 315 638-9431

FAX 315 638-9433

www.typac.net

info@typac.com

1. INTRODUCTION

We are presenting you with Operating Instructions that contain machine technical data and instructions necessary for correct setting, machine start-up, operation and maintenance. Instructions are intended for machine operation as well as for service engineers. People manipulating, installing and operating the machine should familiarise themselves with the instructions before they start. We would like to emphasize that service operations can be executed only by an authorized person with proper qualification. This person should be thoroughly familiar with control and all functions of the machine. Any repair done without authorization can lead to a breach of the warranty. We are referring to section 2.2 – Work Safety and Health Protection providing basic information about safety during work with the machine and an operator's health protection. Please pay due attention to this section. Be aware that the final responsibility lies with the individuals working with the machine.

The machine construction complies with the Directive 98/37/EC of the European Parliament and of the Council. If all the instructions in this document are respected, you will be satisfied with precision and performance of the machine.

We can assure you the machine received maximum care. Thoroughness of control ensures machine precision within the scope of the acceptance standards applicable for this machine. We believe these Operating Instructions will be a valuable guide for you.

2. SAFETY RISKS

2.1 Safety Warning

When using GoCrease F-SPEED, all safety rules and procedures as well as all warnings regarding work safety and health protection listed in this document must be observed. Or otherwise, considering the bellow listed factors, a serious injury of a person, damage or destruction of the machine, its parts or accessories could occur.

Factors increasing risk:

- Rotating pulleys and moving belts
- Voltage
- Noise made during processing
- Moving parts of the machine and equipment
- Sharp edges created during processing
- Dust created during processing

2.2 General Work Safety and Health Protection

This section provides the user with basic information about work safety and health protection of an operator and all other people who come into contact with the machine.

If the GoCrease F-SPEED is used correctly, it is a very safe machine. However, if used incorrectly, it can be dangerous. When operating the machine, the operator is responsible for their own personal safety. The manufacturer is not responsible for any injury to a person or damage to the machine caused by use or operation that is not in compliance with the Operating Instructions. The

owner of the machine is responsible for the machine being operated, maintained and serviced only by qualified people.

The machine design is in compliance with international standards and regulations for construction of machine tools. For the machines exported to the European Economic Area (EEA), the customer will obtain "**Declaration of Conformity**" together with the accompanying technical documentation for the machine - Operating Instructions. The machine also has the CE marking.

The CE marking on the machinery signifies that the product complies with the technical requirements specified in all the legal regulations that apply to the machinery and that require or allow this marking. This marking also signifies that a specified procedure was followed during the assessment of the stated conformity.

With the document "Declaration of Conformity" the manufacturer certifies that the given machinery complies with the requirements of the Directive 98/37/ES of the European Parliament and of the Council and the harmonised technical standards. Directive 98/37/ES of the European Parliament and of the Council is a document defining the generally applicable basic requirements of the health protection and safety for the machinery operated by a user in the EEA.

The Directive 98/37/ES of the European Parliament and of the Council does not apply to the machinery exported to the countries outside the EEA.

The customer will receive the accompanying technical documentation for the machine – Operating Instructions. The manufacturer hereby asks the user to ensure comprehensive safety as directed by the relevant legal proceedings, standards and regulations, the Operating Instructions and other, by training the workers consistently.

The machine is intended for work in automatic cycles.

The machine operator monitors the process and the operating mode of the machine. Also replaces material with the new one and checks the measurements. Operator's position by the machine is not defined.

3. WARNINGS

Only sheets of the size listed in the parameters can be creased and perforated in the creasing and perforating machine.

- a) Do not crease and perforate foils, sheet metal or other similar materials.
- b) The machine can be only used in enclosed spaces (e.g. offices, shops).
- c) Do not use the machine when the electric cord is damaged.
- d) It is not suggested to use the machine if it makes strange sounds.
- e) Do not plug the machine into other voltage than indicated on producer's identification plate.
- f) Read all instructions before using the machine.
- g) It is not suitable for children to be near the machine.
- h) Do not put fingers or hands into the machine when the electric cord is plugged in.
- i) When the machine is jammed, it is necessary to unplug the machine first and then troubleshoot.
- j) When replacing a faulty electrical component, do not use a different type of component or different capacity component. When replacing a component, the electric cord must be unplugged.

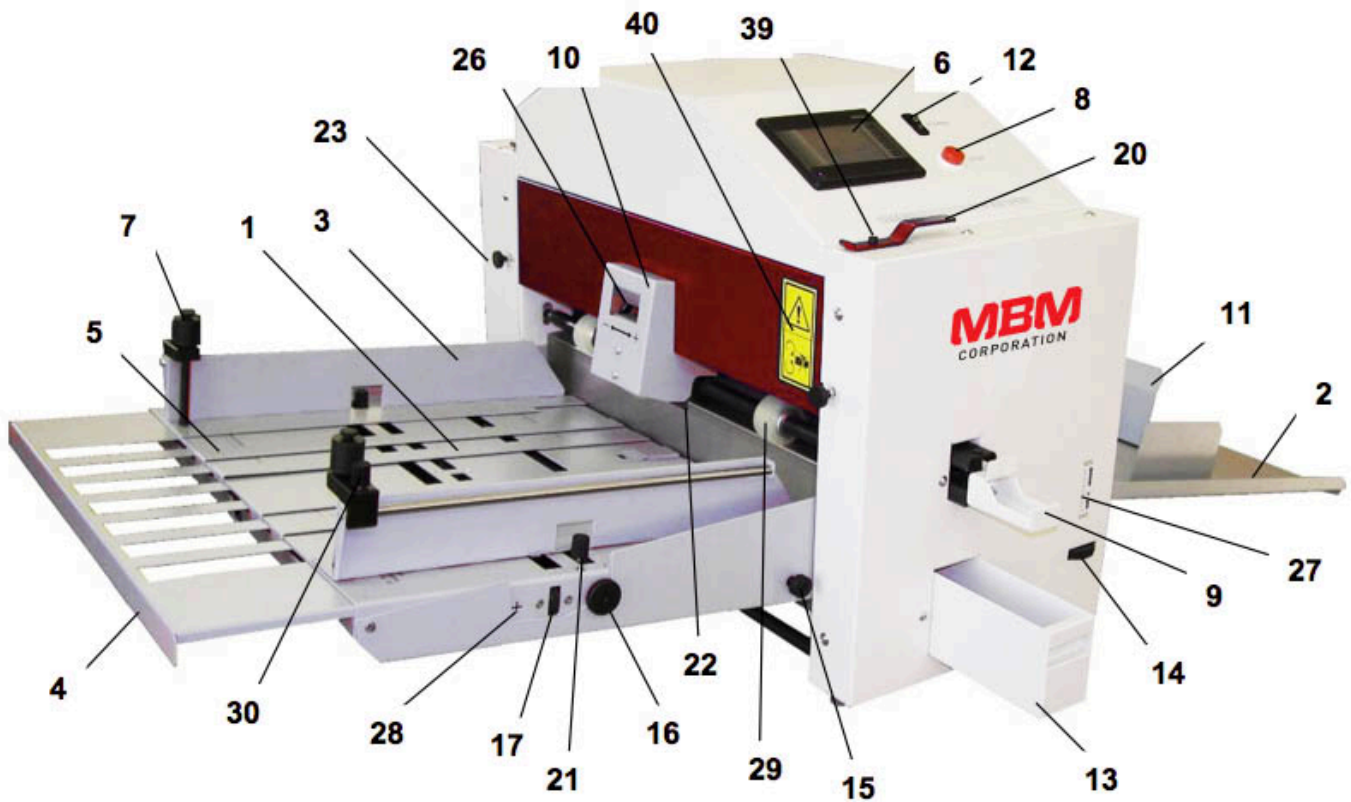
- l) Covers can be only dismantled by a trained technician when the machine is unplugged.
 m) The operator must pay special attention during manipulation with rotary parts of the machine – see yellow Warning Sign (Pos. 40, page 8).

4. TECHNICAL PARAMETERS

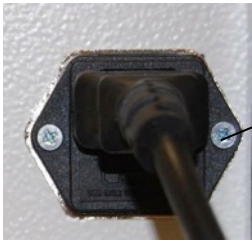
a) Max. working width	17.7"
b) Recommended paper grammage - creasing	80 - 400 g/m ²
Recommended paper grammage - perforation	80 - 250 g/m ²
Recommended paper grammage - punching	80 - 400 g/m ²
c) Creasing width*	CITO 0.04" - paper thickness < 0.01" (mostly 80 - 200 gsm) iron channel - paper thickness 0.01 - 0.02" (mostly 200 - 400 g/m ²)
d) Max. number of creases per sheet	15
e) Number of Programmes	5
f) Min. distance of creases	0.04"
g) Min. distance of crease from edge of the sheet	0 >
h) Speed	2.500 LTR sheets/ hr (with one crease)
i) Machine dimensions	49.2" x 26.6" x 20.5"
j) Machine weight	net 265 lbs., gross 346 lbs (weight includes mobile table)
k) Voltage / frequency	110 V / 50 Hz
l) Power input, electric current	400 W, 1,0 A
m) Fuse	T3,15 A / 110V
n) Noise Level	79,2 dB

** Note: It is necessary to respect recommended width of creasing channel for different paper thickness. If we use inappropriate width of crease (usually narrow creasing channel for thick paper) inaccuracies in position of crease may appear, crease will be placed in different distance than what we set on display. If we use thick paper in combination with narrow crease, the result is that the paper is pressed into the creasing channel, the rollers start to slip trying to release the paper. Use wider crease in such case.*

5. MACHINE DESCRIPTION



- | | |
|--------------------------|------------------------------------|
| 1 – Front table | 10 – Auxiliary feeding head |
| 2 – Delivery table | 11 – Back stop |
| 3 – Front side guide | 12 – Electric switch |
| 4 – Telescopic table | 13 – Waste drawer |
| 5 – Magnetic strip | 14 – Table thrust regulation screw |
| 6 – Display unit | 15 – Table release |
| 7 – Paper brake + weight | 16 – Position regulation screw |
| 8 – STOP button | |
| 9 – Disengaging tool | |



19

- 17 – Angle regulation screw
- 18 – Tool thrust regulation bolt 1)
- 19 – Plug socket
- 20 – Calliper
- 21 – Locking bolt of the side guide
- 22 – Separator
- 23 – Calliper locking
- 24 – Tool base (fig. 2)
- 25 – Top bar (fig. 1)
- 26 – Head thrust regulator
- 27 – Front table thrust scale

- 28 – Skew indicator of the front side guide
- 29 – Auxiliary feeding wheel
- 30 – Locking bolt of the brakes
- 31 – Bolts for locking the machine on the table (fig. 5)
- 32 – Creasing tool screw M6x14 (fig. 3)
- 33 – Perforating tool screw M6x20 (fig. 2)
- 34 – Perforating tool screw M4x25 (fig. 2)
- 35 – Needle bearings of eccentric axis (fig. 1)
- 36 – Top bar bearings (fig. 1)
- 37 – Safety ring (fig. 1)
- 38 – Tool screw M4x5 (fig. 4)
- 39 – Fixing screw of calliper
- 40 – Warning Sign

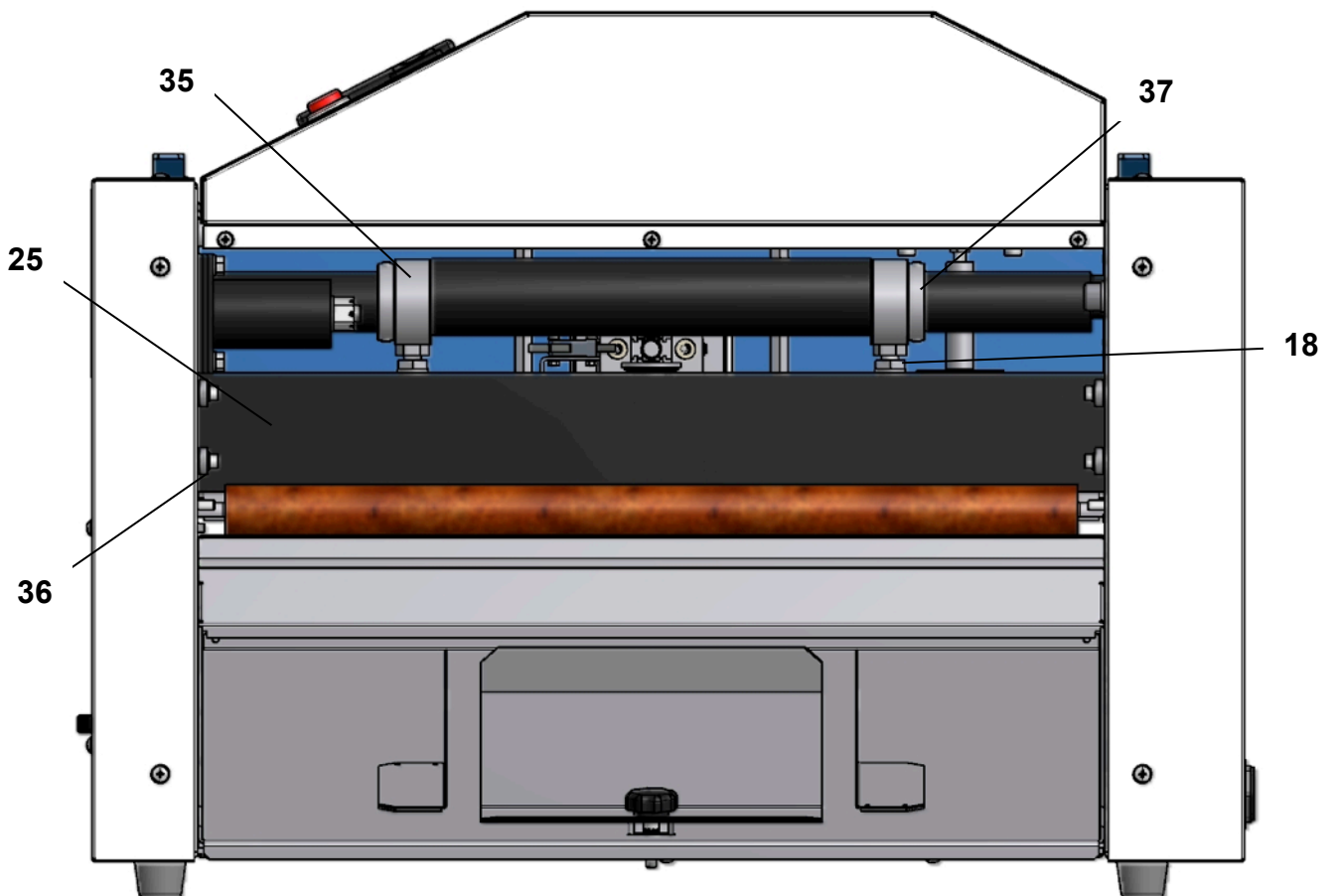


Fig. 1: Dismounted back cover

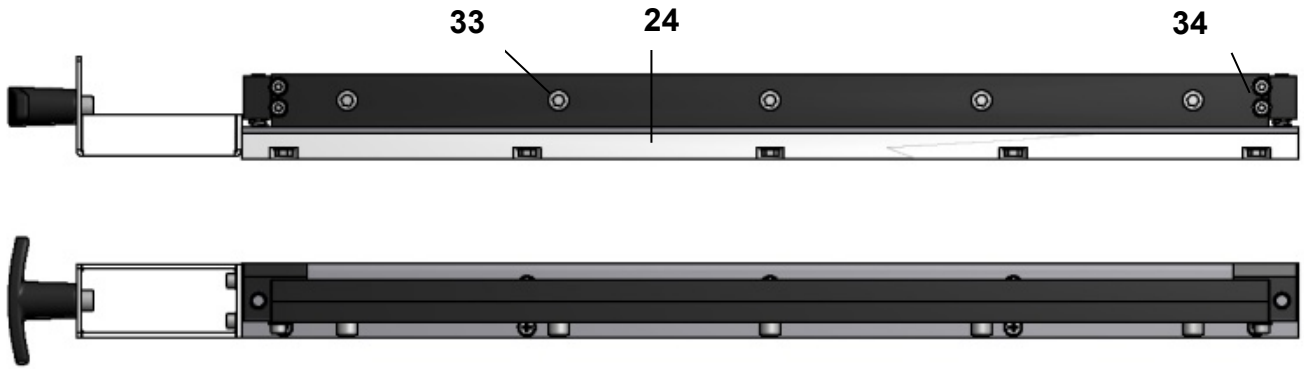


Fig. 2: Perforating tool 2:1- 9 TPI (571 40 465a) – standard equipment. Micro-perforating tool (571 40 464) as optional accessory.

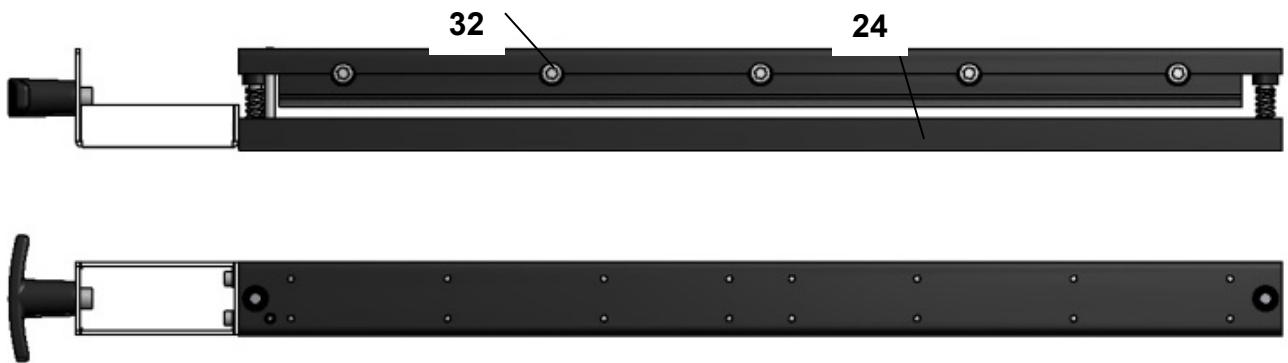


Fig. 3: Creasing tool CITO 0.04" (571 40 467) – standard equipment. Creasing tool CITO 0.05" (571 40 468) as optional accessory.

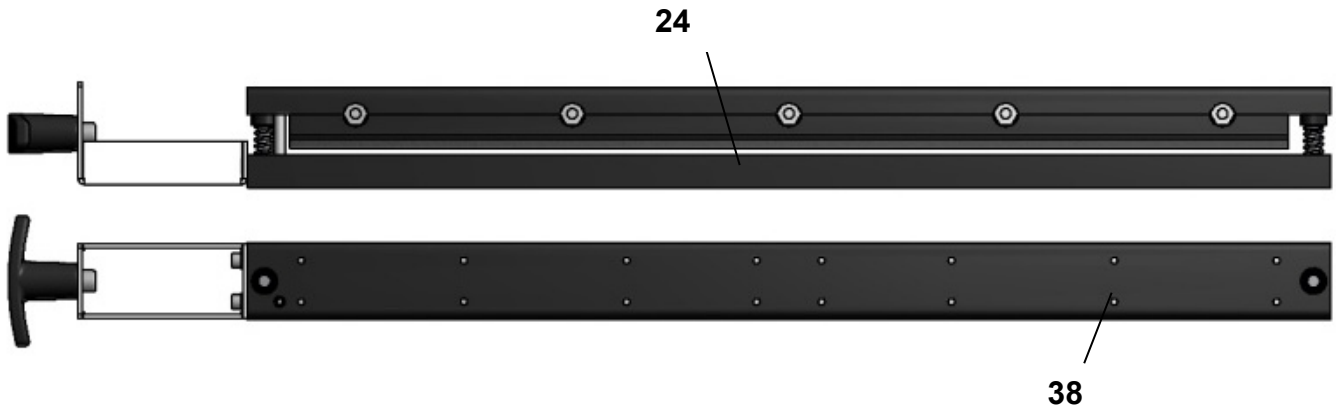


Fig. 4: Creasing tool – iron channel for higher grammage (570 40 466)

6. MACHINE INSTALLATION

When unpacked, place the machine on the table (See the Instructions for Table Assembly in Appendix 2). Place the machine on the table, so that the heads of the table bolts (*) fit into the rubber legs of the machine. Lock the machine to the table with the bolts (31). The delivery table (2) can be fitted when the machine is locked. When plugged in, the machine is ready to operate.

When the electric switch (12) is switched on, the display unit (6) will light up. Setting the machine using the touch screen is described in detail in Section 8.

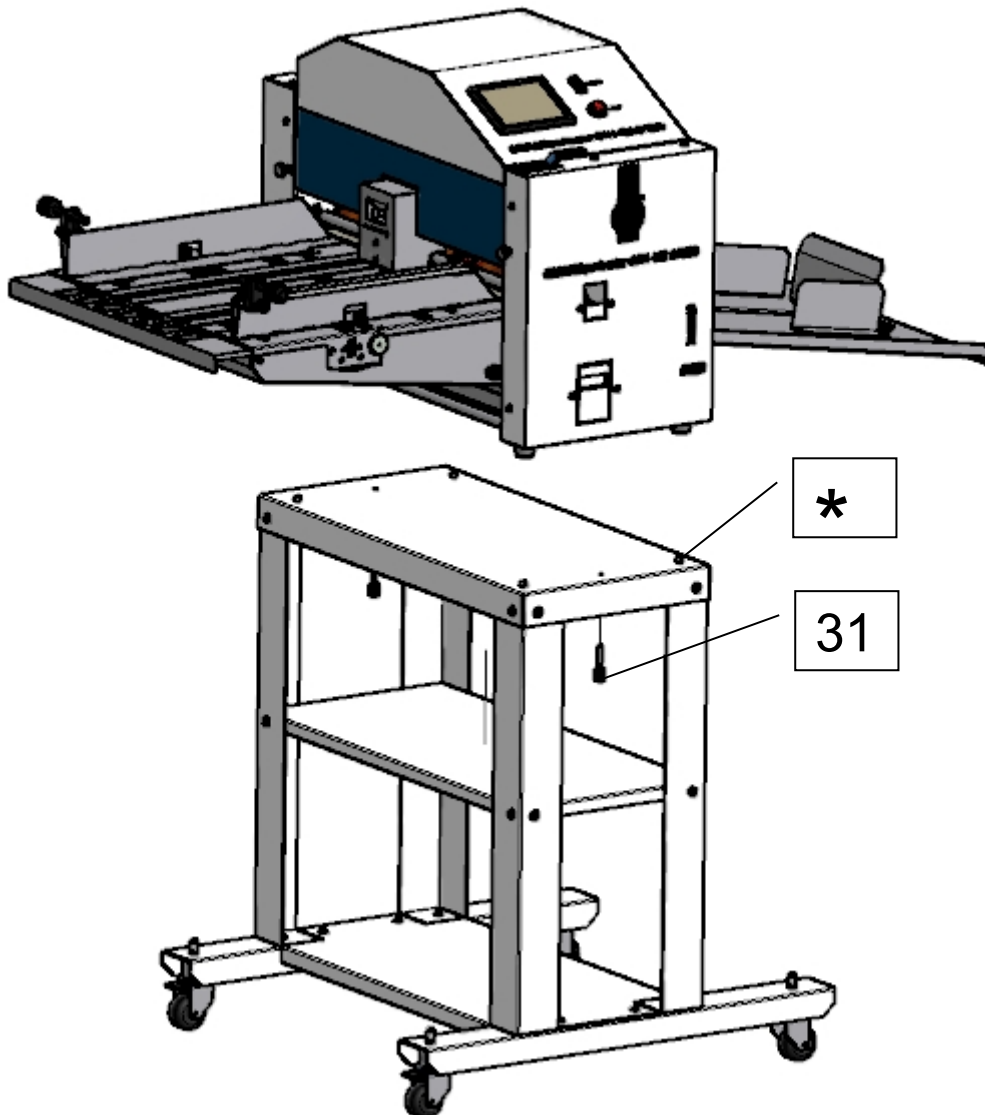


Fig. 5: Machine installation on the table

7. ADJUSTMENT OF MACHINE AND FEEDING TABLE

7.1 Introduction

Electric automatic creasing and perforating machine serves for final processing of graphic material of the width up to 17.7". Creasing allows easy folding of the paper and that's why it is convenient to use the machine in combination with a folding module. No-waste perforation enables you to tear the paper easily. The default setting has been done for all types of tools. To change the function of the machine it is necessary to exchange the tool (placed by the manufacturer into the waste drawer – 13). Unplug the machine, take out the tool (9) and replace with the required tool. To replace the cutters in the tools loosen the tool screws (32, 33, 34, 38). Replace the cutter and fit the tool back. Tighten the tool screws (32, 33) lightly. Then place the tool into the machine and

perform a trial stroke to ensure the cutter and the tool base (24) are parallel. Other settings are done through the display unit – *Section 8.6*.

7.2 Adjustment of Table

Place the angle regulation screw (17) in to the initial position, so that the front side guides (3) are perpendicular to the tool. The initial position of the angle regulation screw (17) can be checked on the skew indicator of the front side guide (30) – the back movable part of the indicator must be vertical and aligned with the cross mark. Set the table thrust regulation screw (14) to minimum thrust. Ready the table into the lower locked position. Lock the table by pressing the right and left edge of the table simultaneously with your palms (fig. 6).

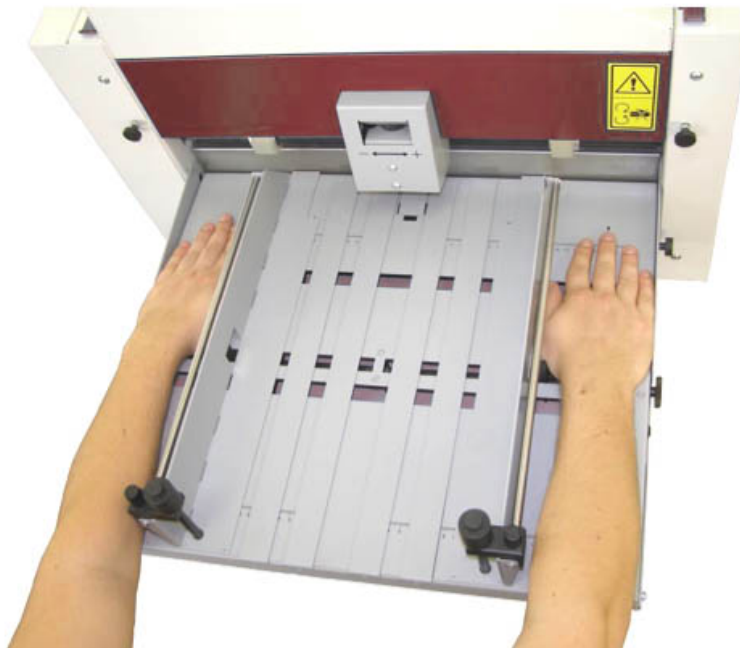


Fig. 6: Pressing the table before paper is loaded

The table automatically locks in the lower position. Tilt the paper brakes (7) outward. Loosen the locking bolts of the side guides (21). Set the front side guides (3) approximately for the paper format size, so that the position of the sheet is symmetrical with the center of the feeding table. Rulers on the feeding table serve for exact adjustment of the side guides (3). Place the magnetic strips (5) on the feeding table between the front side guides (3) – two or four strips (5) according to the paper format. The magnetic strips (5) prevent the paper on the feeding table from corrugating and improve the feeding function (fig. 7).

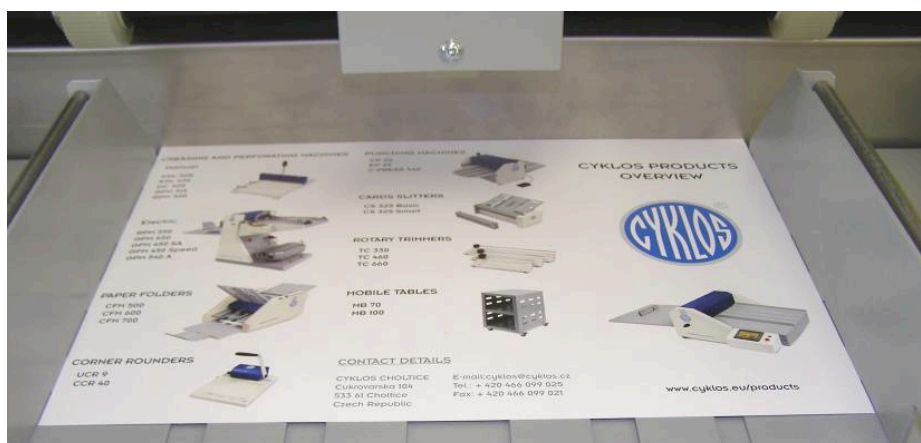


Fig. 7: Correctly prepared table – even placement of the magnetic strips (position 5).



Fig. 8: Incorrectly prepared table – absence of the magnetic strips (position 5) leads to the paper deformation.

Place 2 – 3 sheets to be processed on the feeding table. Push the sheets to the stainless steel plate, so that they are collinear (fig. 9). This ensures the sheets are perpendicular to the tool. Push the side guides (3) towards each other, so that there is a minimum gap between them and the sheets. Caution! This adjustment has a great impact on correct paper feeding into the machine. If the processed paper is not perfectly perpendicular, correct this inaccuracy by skewing the side guides (3) using the angle regulation screw (17). Lock the adjusted position with the locking bolts of the side guides (21). Correct and incorrect procedure is shown in figures 9 and 10.



Fig. 9: Correctly prepared table – the sheet has been pushed to the stainless steel plate



Fig. 10: Incorrectly prepared table – the sheet has not been pushed to the stainless steel plate along its whole length

Adjust the auxiliary feeding wheels (29) to the edge of the sheet and secure with the setscrew. Set the "Forward" or "Backward" function (*Section 8.6.2*) on the control panel and use them to adjust the auxiliary feeding wheels so that the setscrews can be loosened. For adjustment use the Allen "T" key size 2. When the wheels are adjusted, tighten the setscrews, so that the wheels do not spin on the axle. Correct and incorrect procedure is shown in figures 11 to 14. Incorrect adjustment of the auxiliary feeding wheels (figures 13, 14) can affect precision of paper feeding.



Fig. 11: Adjusting the feeding wheels (position 29) with the Allen "T" key



Fig. 12: Correct adjustment of the feeding wheels

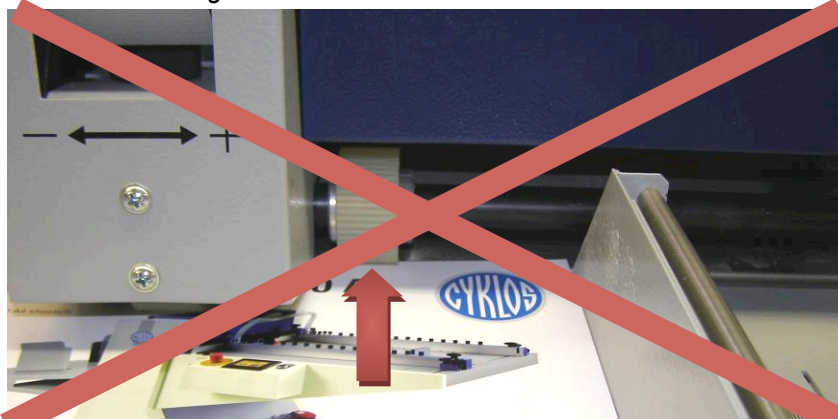


Fig. 13: Incorrect adjustment of the feeding wheels – they are placed too far from the side guide

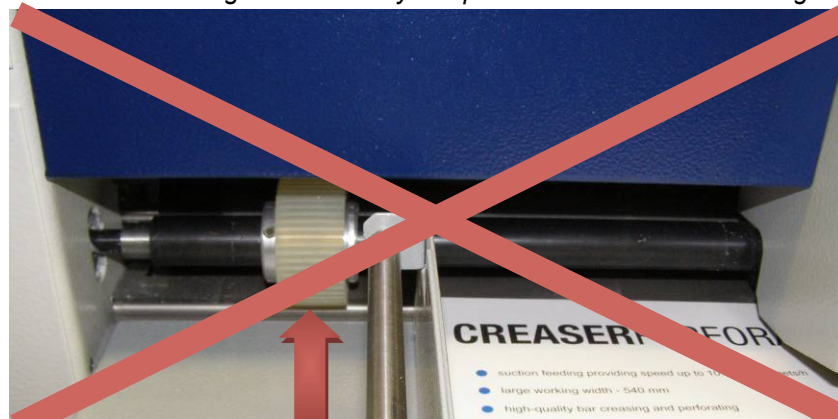


Fig. 14: Incorrect adjustment of the feeding wheels – they are placed behind the side guide

7.2.1 Adjustment of Feeding Table Thrust

Release the feeding table by pressing the table release button (15) and set the table thrust regulation screw (14) to minimum thrust. Press the "Forward" key on the control panel (Section 8.6.2). Hold the "Forward" key with one hand and at the same time use your second hand to gradually increase the feeding table thrust with the table thrust regulation screw (14) until the feeding wheels has fed the sheet into the machine. The minimum feeding table thrust is now set. Do not increase the feeding table thrust when not necessary, to eliminate possible tracks on paper caused by the feeding wheel. The table thrust scale (27) helps you to adjust the thrust precisely. Especially for the lower paper grammage, it is better to use less thrust, so as not to deform paper.

7.2.2 Correct Placement of Paper Pile

When the table thrust is correctly adjusted, the feeding table can be loaded with a pile of paper up to the maximum capacity of the feeding table. The pile of paper to be processed must be leafed through properly before it is placed on to the table to minimize the possibility of feeding several sheets at once. The sheets must be fed into the machine individually. Ideally, there is approx. a

2 mm gap between the sheets. The sheets cannot overlap when fed into the machine. If the sheets overlap, tilt the paper brakes (7) down onto the end of the sheet – approx. 1 to 2 cm from the end of the sheet. First tilt the paper brakes (7) without weight, then increase it gradually until the sheets are fed into the machine individually with approx. a 0.07" gap. Do not increase the weight on the paper brakes to eliminate possible tracks on the paper caused by the feeding wheel and by the wheel of the auxiliary feeding head. After adjustment lock the paper brakes (7) with the locking bolt of the brakes (32). Now press the "Start" key. Ideally, if the feeding table is adjusted correctly, the auxiliary feeding head (10) is not working and the sheets are fed into the machine only by the friction system.

Warning: When the "Forward" function is on, the auxiliary feeding head is not working. If the machine feeds two or more sheets at once, the machine must be stopped immediately by pressing the "STOP" key. The sheets that have been fed into the machine must be taken out using the manual control functions "Forward" and "Backward" (Section 8.6.2). If the cycle was interrupted when the tool was in the lower position, it is necessary to return the tool into the upper position using the manual control function "Tool back" before taking the sheets out.



Fig. 15: Example of correct placement of paper pile

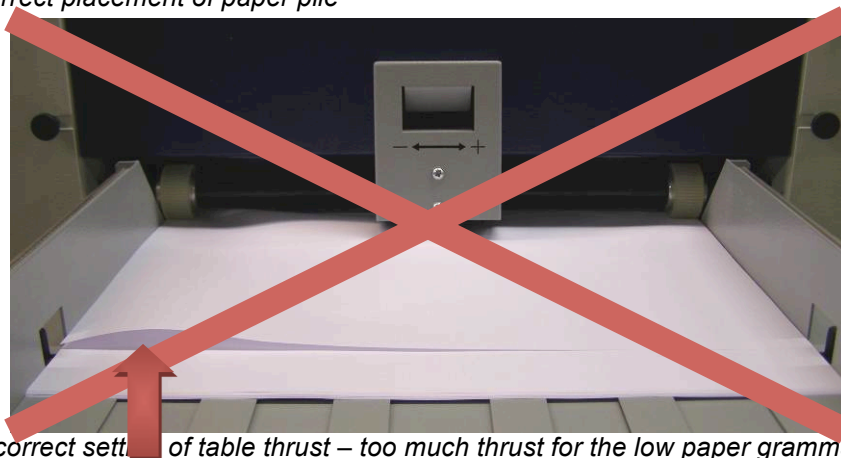


Fig. 16: Example of incorrect setting of table thrust – too much thrust for the low paper grammage

7.2.3 Function of Auxiliary Feeding Head (10)

Paper feeding is influenced by many external factors. They are humidity, static electricity, type of print, etc. If for any reason the middle feeding wheel does not feed paper into the machine, the

sensor inside the machine immediately activates the auxiliary feeding head that will slide the sheet under the feeding wheels. Set the thrust of the auxiliary head (10) to minimum with the head thrust regulator (28). Do not increase the feeding wheel thrust when not necessary, to eliminate possible tracks on paper caused by the feeding wheel.

7.2.4 Adjustment of Callipers

Always place a piece of paper that you are going to process under the callipers (20). Placement of correct paper grammage will define an optimum gap between the wheel of auxiliary feeding head (10) and the separator (22). This decreases wear of the friction feed system and also eliminates possible tracks on paper caused by the feeding wheels. Place the paper cutting under the callipers by pulling the calliper lever. The calliper automatically locks in the upper position. Place the paper cutting under the callipers and unlock the calliper locking (23) by pulling. The gap between the auxiliary head wheel and the separator is now defined.



Fig. 17: Pulling callipers to the upper position



Fig. 18: Defining the gap of the friction feed system by placing paper under the callipers

If the machine has been adjusted correctly, but the friction feed system is not able to feed paper into the machine correctly, or the feeding wheels are damaging the print (there is a distinct track from the feeding wheel on the sheet), you can disable the friction feed, change the automatic mode to the semi-automatic and feed paper into the machine manually.

Semi-automatic Mode

Lift the callipers (20) until the calliper locker (23) is activated and the callipers remain locked in the upper position. The change of position of the callipers disables friction feed system, which enables us to manually feed the sheet directly between the feeding rollers. Then the automatic feed must be turned off (*Section 8.3.3 Setting Batch and Turning off Automatic Feed*). The machine is now in the semi-automatic mode.

8. SETTING MACHINE USING TOUCH SCREEN

8.1 Display Unit Preview

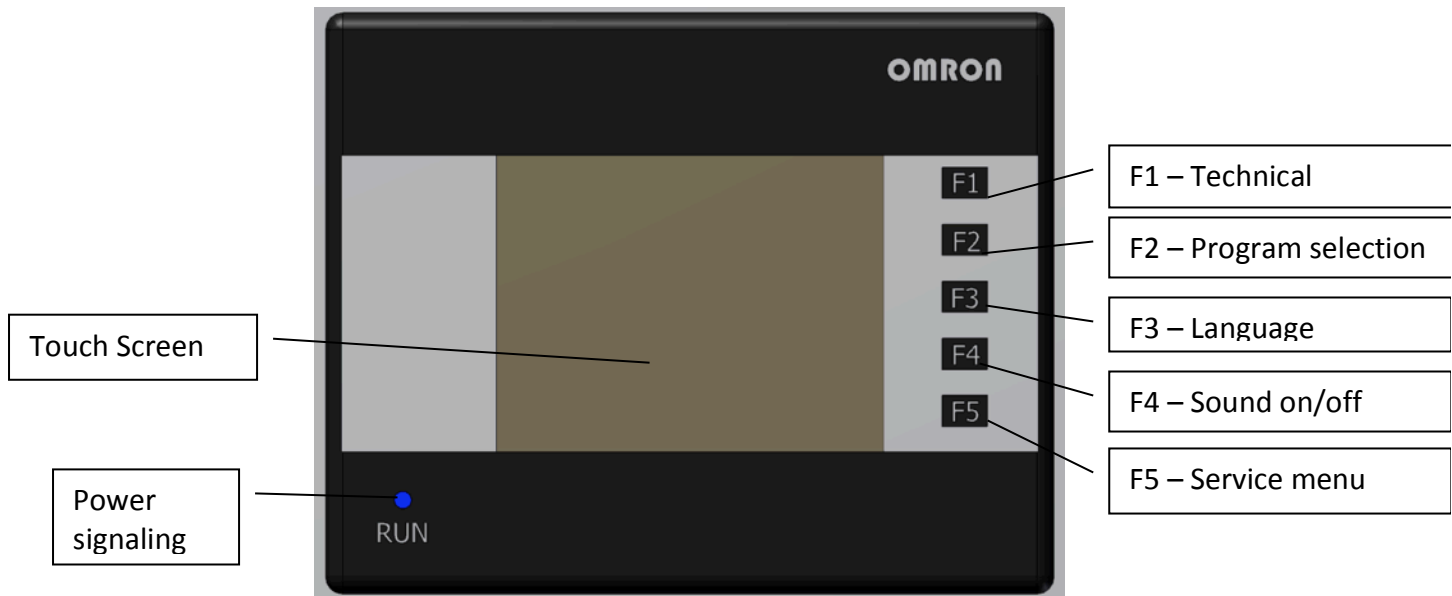


Fig. 19: The display unit preview

When the electric switch (12) is switched on, the touch screen displays the main screen.

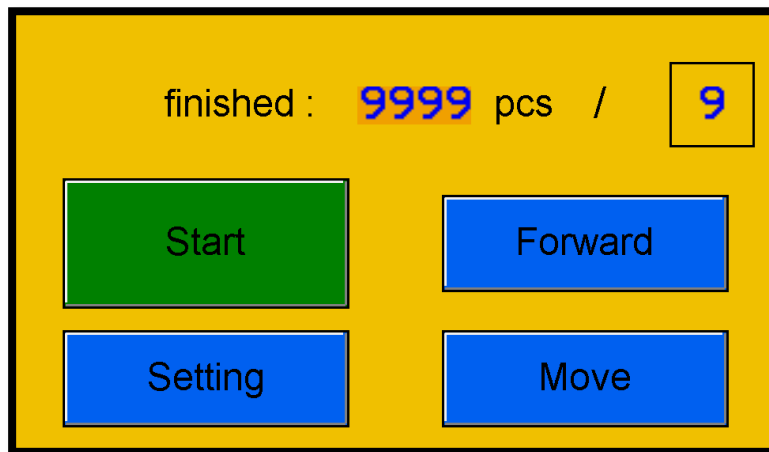


Fig. 20: The Main screen

8.2 List of Function Keys on Display Unit

Press the **F1** key to display the **Technical parameters** screen. It is an informative screen with data about six basic technical parameters of the machine. Press the **Return** key to go back to the main screen.

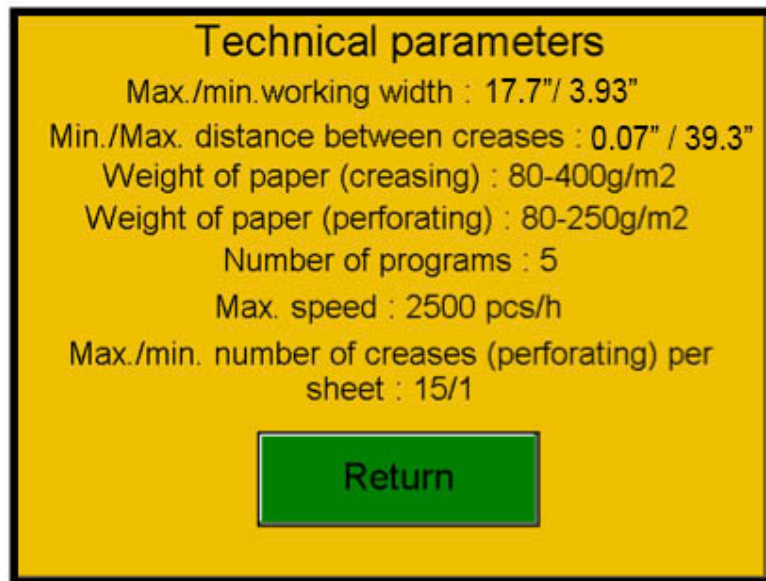


Fig. 21: The "Technical parameters" screen

8.2.1 Program Selection – F2

See the Section 8.5.

8.2.2 Language Selection – F3

On the right side of the display unit there is the **F3** function key. Press the key to display the menu for the language selection. Choose the required language.



Fig. 22: The "Language selection" screen

8.2.3 Sound On/Off

Press the **F4** key to turn on/off the sound signal for key pressing. If the sound is on, there will be a beep when the active areas on the display unit are pressed. To turn the sound off, press the **F4** key again. There is no visual indication of the change on the display unit.

8.2.4 Service Menu (Password)

Press the **F5** function key to display the Service menu screen. Only manufacturer's (of distributor's) service engineers can access this menu and it is protected by a **password**. Press the **Return** key to go back to the main screen.

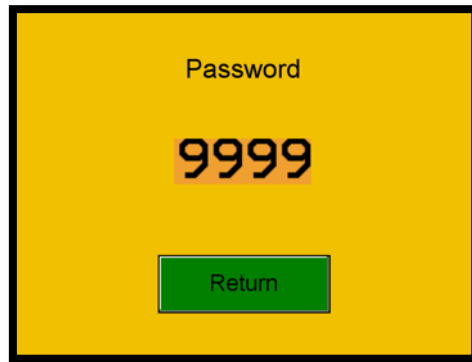


Fig. 23: The "Password" screen

8.3 Setting Number and Position of Creases/Perforations

By pressing the **"Setting"** icon on the main screen, the following menu is displayed (fig. 20).

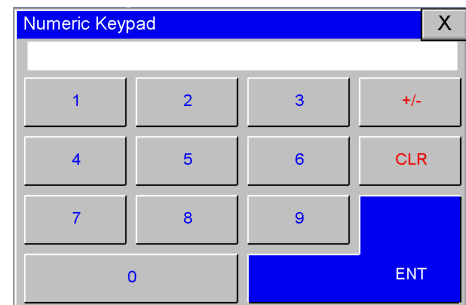
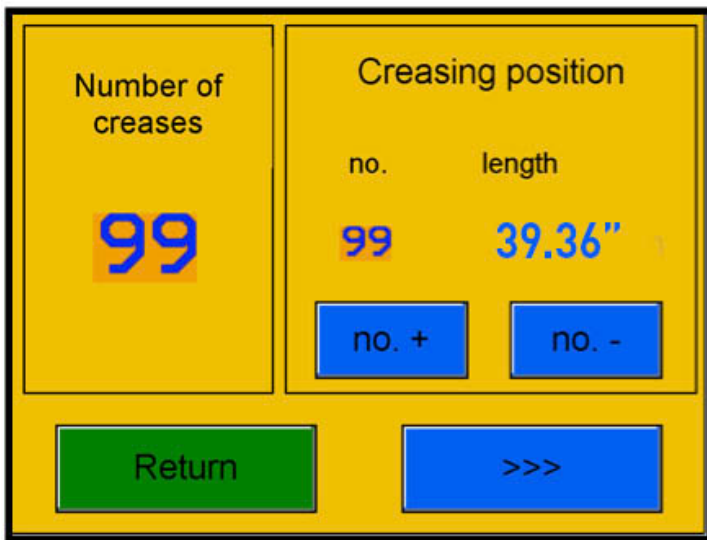


Fig. 24: Screen for setting number and position of creases using the numeric keypad

8.3.1 Setting Number of Segments

Pressing the numeric icon under the **"Number of creases"** sign the displays the numeric keypad. By pressing the relevant digit, the number of creases/perforations (segments) is set. The programme enables setting of up to 15 segments. The selection of number of segments is ended by pressing the **"Enter"** key. The number of segments is now set.

8.3.2 Setting Position of Segments

The position of the first segment is set as the distance from the edge of the sheet. The position of each following segment is defined as its distance from the previous segment. The **"no. +"** and **"no. -"** serve for the choice of required segment. Choose the segment number 1 and then press the numeric icon under the word **"length"**. A numeric keypad is now displayed. Use the numeric keypad to set the distance from the edge of the sheet and press **"Enter"**. The position of the first segment is set. Choose the segment number 2 using the **"no. +"** key and then press the numeric icon under the word **"length"** again. Use the numeric keypad to set the distance from the first segment and press **"Enter"**. The second segment is set. Set all the remaining segments the same way. When all the segments are set, press the **"Return"** icon to go back to the main menu. The machine is now ready to process the task.

Note: The machine has a special function for exact measurement of the sheet in the middle – Measurement $\frac{1}{2}$. This function is described in Section 8.5.1.

8.3.3 Most Common Folds

By pressing “>>>” icon in Setting screen we enter to screen where most common types of fold are displayed (fig. 4). To achieve most common folds it is necessary to crease in certain distances like $\frac{1}{2}$, $\frac{1}{3}$ or $\frac{1}{4}$ of the paper. By pressing appropriate icon we can easily achieve one of the most-used folds. First, it is necessary to prepare the required sheet the same way as for the processing. Then press the “ $\frac{1}{2}$ ” icon (other fold types accordingly), followed by “Return” and “Start” icons. One sheet goes through the machine, its length is measured and $\frac{1}{2}$ of the length is calculated. The screen changes to the Setting screen (fig. 3). The calculated length of the $\frac{1}{2}$ is displayed in the “length” box. Then return to the main screen and press the “Start” icon. We recommend to process only one sheet and check the position of the $\frac{1}{2}$, whether the distance was measured correctly. If the crease is not in precisely in the required distance, return to the Setting screen and correct the distance manually. All other folds work the same way.



Fig. 24a: Screen for the most common types of folds

8.3.4 Setting batch and turning off automatic feed

By pressing the ">>>" icon on the Screen for the most common folds (fig. 24a), the following menu is displayed.

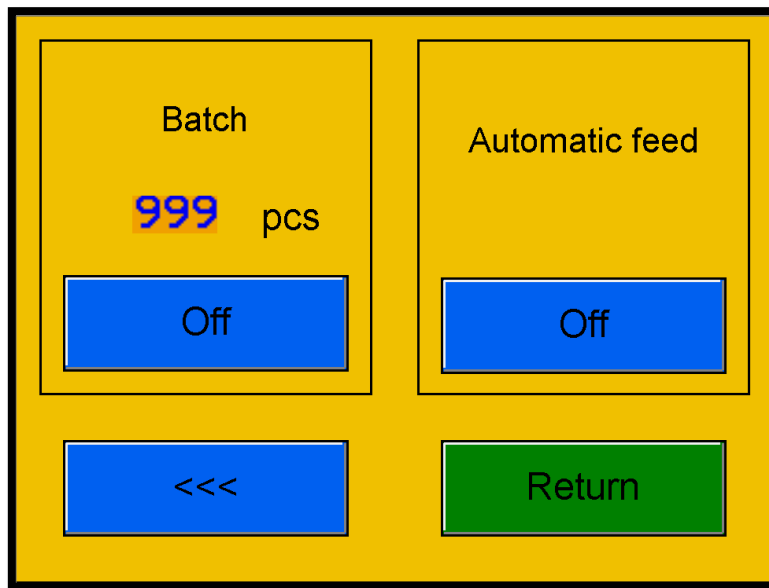


Fig. 25: Screen for setting of batch and automatic feeding

Automatic feed is on by default. The automatic feed is turned off by pressing the "On" icon placed under the "Automatic feed" sign. The warning "**Caution! Adjust callipers**" is displayed (fig 26). This will change the machine from automatic to semi-automatic. This way of setting is to be used in case paper is not fed into the machine correctly. In this case it is also necessary to lift and lock the callipers (20) in the upper position (the friction feed is disabled) - Section 7.2.4.. When the machine is in this setting, feed paper manually sheet by sheet (similarly with the GoCrease SEMI machine).



Fig. 26: Warning

Batch work is started by pressing the "Off" icon under the word "Batch". The batch size (= the number of sheets that the machine processes in one cycle) is set by pressing the numeric icon under the word "Batch". A numeric keypad is now displayed. Select the batch size by pressing the relevant digit(s) and confirm by pressing "Enter". When the setting is finished, go back to the main menu by pressing the "Return" key.

8.4 Starting Working Cycle

Adjust the feeding table (1) according to the instructions in Section 7.2. There must be minimum gap between the side guides and the pile of paper. The machine is constructed for pile of paper 50 mm high. Press the table release (15). Paper is pushed into the feeding head (10). Lower the paper brake (7) onto the end of paper. Adjust the distance of the back stop (11) on the delivery table (2) according to the size of the sheet. Press the "Start" icon on the screen (fig. 20). The

machine starts up and the working cycle screen is displayed (fig. 27). There are a **"Stop"** icon and information about the number of processed sheets displayed on the screen.



Fig. 27: The "Working cycle" screen

The feeding wheels (29) start to feed the individual sheets into the machine. Load another pile of paper on the feeding table only after the machine processes the last paper, which automatically ends the working cycle and the main screen is displayed (fig. 20). The working cycle can be interrupted manually by pressing the **"Stop"** icon. Please note that at this moment another sheet has already been fed into the machine. When the machine is started again, this sheet goes through the machine without being processed. In case of trouble the big red **"STOP"** button (8) on the main panel can be used to stop the machine.

8.5 Saving and Loading of Programs

The software allows saving of up to 5 different programs. The number and position of the segments is set according to the procedure described in Section 8.3. As soon as the last step of setting the required number of segments and their position is done, the program can be saved. Press the **F2** function key. The menu for saving and loading of a program (fig. 28) is displayed.

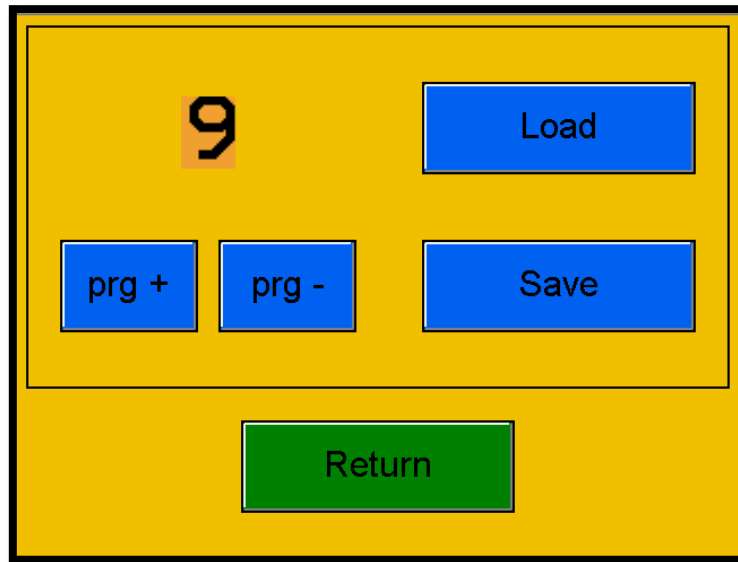


Fig. 28: Screen saving and loading of programs

Choose the number for numbering the program using the keys "**prg +**" and "**prg -**". Press the "**Save**" icon. Go back to the main menu by pressing "**Return**". The program is saved. Load the program as follows: Press the **F2** function key. Choose the number of the program you want to load using the keys "**prg +**" and "**prg -**". Press the "**Load**" icon. Go back to the main menu by pressing "**Return**". The machine is ready to operate according to the loaded program.

Warning: The screen displays the number of the last program saved or loaded. For more effective work the operator can change the program without saving it. In such case, the number of the last program saved or loaded is still displayed, but the machine operates according to the operator's last setting, even though this setting has not been saved. If the machine is turned off and then turned on again by the electric switch, the machine operates according to the program displayed on the screen. The last unsaved setting is deleted.

8.6 Manual Control

Manual control is mostly used during exchange of tools or when loosening jammed paper from the machine. To replace the cutters in the tools loosen the tool screws (32, 33, 34, 38). Replace the cutter and fit the tool back. Tighten the tool screws (32, 33) lightly. Then place the tool into the machine and perform a trial stroke to ensure the cutter and the tool base (24) are parallel. Press the "**Manual control**" icon on the main screen and the following menu is displayed (fig. 29).

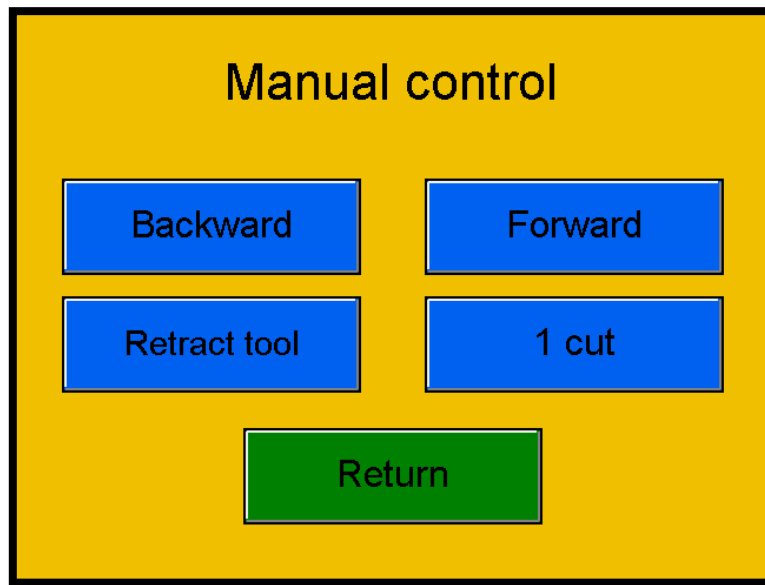


Fig. 29: The "Manual control" screen

A trial stroke is performed by pressing the "**1 cut**" icon. Take the tool out of the machine and tighten the tool screws (32, 33). The cutter is now correctly adjusted in the machine.

8.6.1 Adjustment of Top Bar Stroke

In case the depth of a crease is not the same on both sides of the sheet or the sheet is not torn away evenly after perforation, the top bar (25) can be adjusted down using the regulation bolts (18). It is necessary to turn the bolts gradually by 1/12 of the revolution (30°) left (the bar moves downwards) and then secure them with nuts. Try the quality of perforation after each turning of the bolt by 30° and if it is good, do not turn the bolts more. When adjustment of perforation is finished, the machine is also adjusted for creasing. If the perforation/creasing thrust is overdone, the engine power is exceeded and the top bar (25) remains in the lower position. The machine must be switched off and then switched on again after approx. 20 s. Press "**Manual control**" and then "**Retract tool**". The tool is now unlocked and the thrust can be adjusted by the regulation bolts (18).

8.6.2 "Forward" and "Backward"

The "**Forward**" and "**Backward**" icons serve to move paper in these directions. For example, these functions are used for getting jammed paper out of the machine (we recommend lifting the callipers to the upper position when releasing the paper. Go back to the main menu by pressing the "**Return**" key.

9. THE MOST COMMON FAULTS (TROUBLESHOOTING)

1) Crinkled paper

- The paper gets crinkled, especially paper of lower paper grammage, because there is too much thrust of the feeding system on paper during feeding into the machine fig. 31 and fig. 32.

Troubleshoot in following steps:

- Insert processed paper under the callipers.
- Decrease the feeding table thrust using the table thrust regulation screw (position 14).

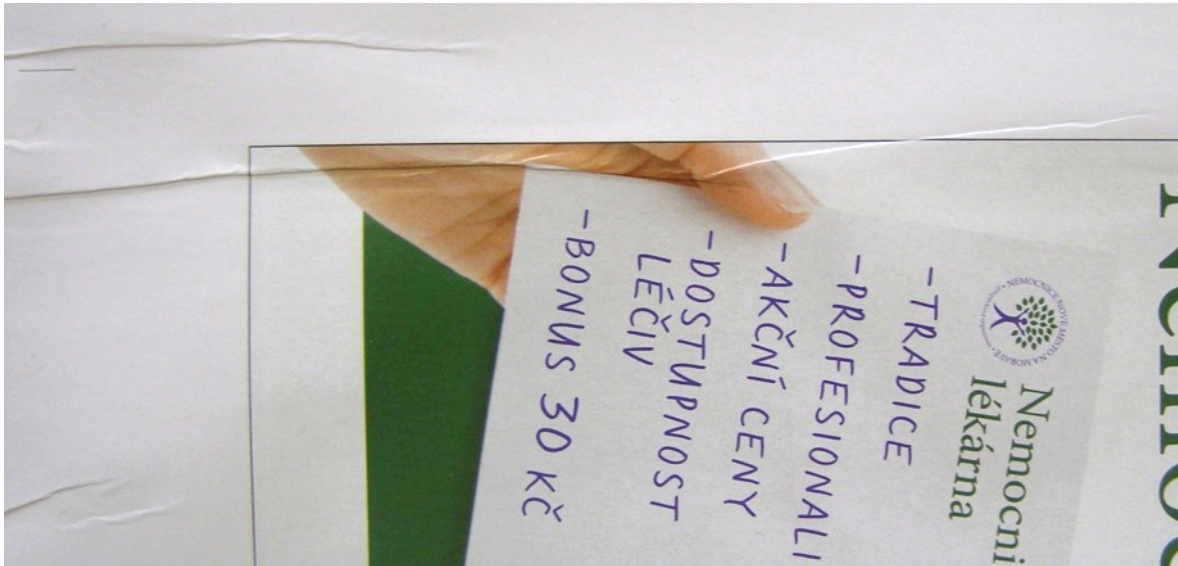


Fig. 31: Example of crinkled paper 1

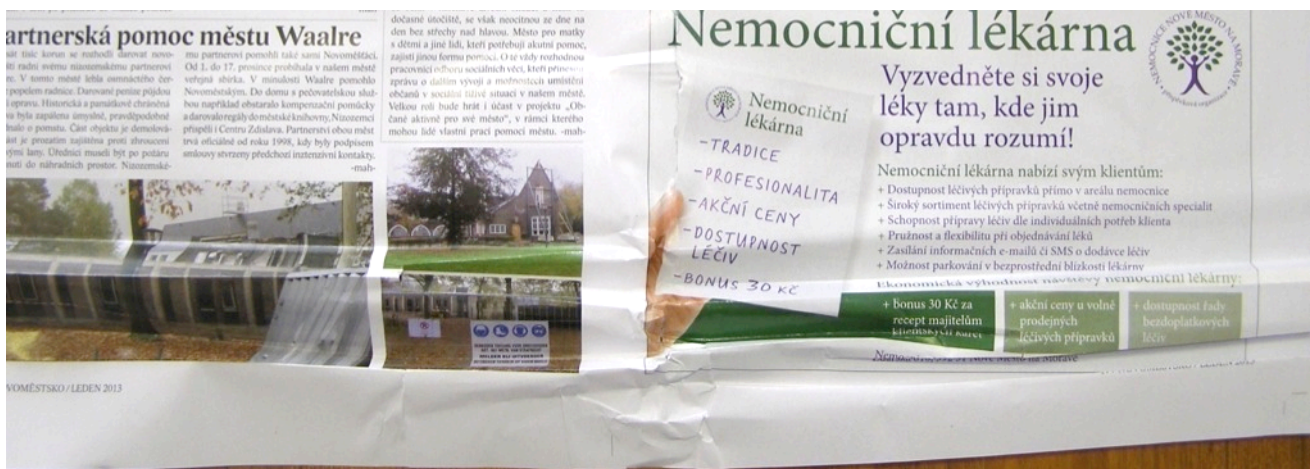


Fig. 32: Example of crinkled paper 2

2) The "start" key cannot be pressed

- There is no paper on the feeding table or the paper is not pushed close to the stainless steel plate and the feeding table sensor cannot sense paper.

3) The auxiliary feeding head is not working

- The automatic feed is off (Setting 1).

4) Paper jammed inside the machine

- Paper can be released using the manual control functions "Forward" and "Backward" – Section 8.6.2.
- If this does not help, take out the tool and try to release paper again using the "Forward" and "Backward" functions.

- If paper is stuck behind the rollers, open the front and back blue covers and release paper manually.

5) Uneven perforation (creasing)

- See the section 8.6.1 Adjustment of top bar stroke.

6) The feeding wheel leaves distinct track on paper

- Adjust the feeding table thrust, see Section 7.2.1.
- Reduce the weight on the paper brakes, see Section 7.2.2.
- Adjust the thrust of the auxiliary feeding head, see Section 7.2.3.

7) The feeding wheels are rotating but paper is not being fed

- Ensure the callipers are unlocked.
- Ensure the paper cutting under the calliper is the same as paper on the feeding table.
- Regulate the feeding table thrust, see Section 7.2.1.
- Loosen the side guides, the paper pile is pressed too tightly.

8) The keys on the display unit are not working

- Reset the machine (turn it off and then on again).

9) Paper is folded askew

- Check the position of the side guides on the feeding table. If necessary, adjust the side guides using the angle regulation screw, see Section 7.2.
- Paper on the feeding table is bent. Use the magnetic strips to straighten paper, see Section 7.2.1.
- The gap between the side guides and the paper pile is too big, see Section 7.2.1.
- The auxiliary feeding wheels are not in the correct position, see Section 7.2.1.

10) If paper Start doesn't react and nothing happens while processing black or dark paper very likely sensor on feeding table struggles to detect the paper. It is necessary to place on the top of the pile one sheet of white or light paper.

11) After several months of use feeding wheels may wear down. If this happens the machine tends to feed doubles because the gap between middle feeding wheel and separator (22) gets wider. The machine feeds properly if the gap is between 0.002" and 0.004". It is possible to prolong the lifespan of feeding wheels by moving the shaft with the wheels downward. To do so we need to turn the fixing screw of calliper (39) counter clockwise. Maximum turn is 3/4 of revolution. It is necessary to turn both screws on both sides of the machine equally!



Notification: It is necessary to turn the screw by the same angle on the other side.

Fig. 33: Turn the fixing screw of calliper and move the shaft with feeding wheel downward. This will reduce the gap between main feeding wheel and separator.



Fig. 34: The gap between feeding wheel and separator must be 0.002" – 0.004" wide.

10. RECOMMENDED MACHINE MAINTENANCE

Clean the machine from dust particles after each job using for example pressured air.

Lubricate the top bar (position 25) bearings (position 36) with a suitable bearing lubricant once a year.

11. MACHINE DISPOSAL

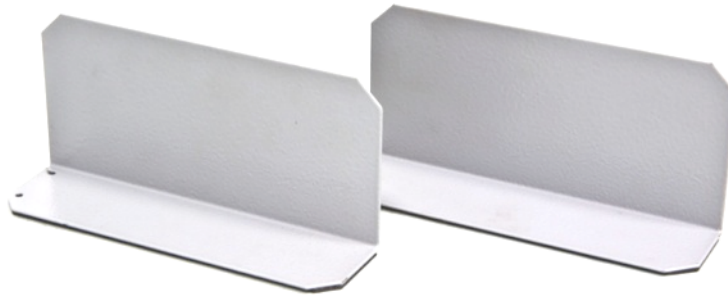
When the lifetime period is over, it is forbidden to dispose of the machine into the common waste. The machine must be disassembled and metallic, non-metallic, plastic, rubber and electronic parts sorted. These parts are disposed of in the relevant points of recycling. Some parts of the machine can contain dangerous substances that are harmful to the environment and health.

APPENDIX 1: ACCESSORIES

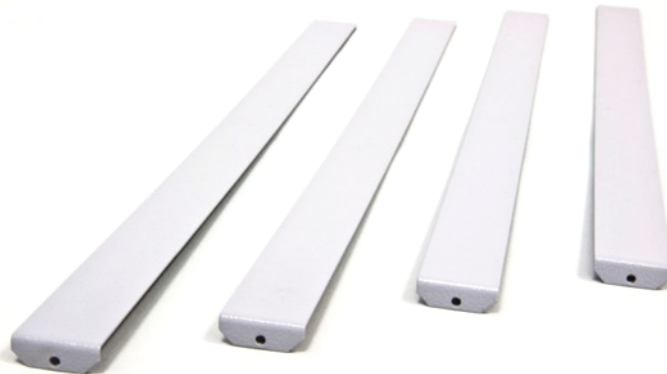
5571 40 467	Creasing tool (CITO channel 0.04")	1 pc
5571 40 466	Creasing tool (iron channel)	1 pc
5571 40 465a	Perforating tool 2:1	1 pc



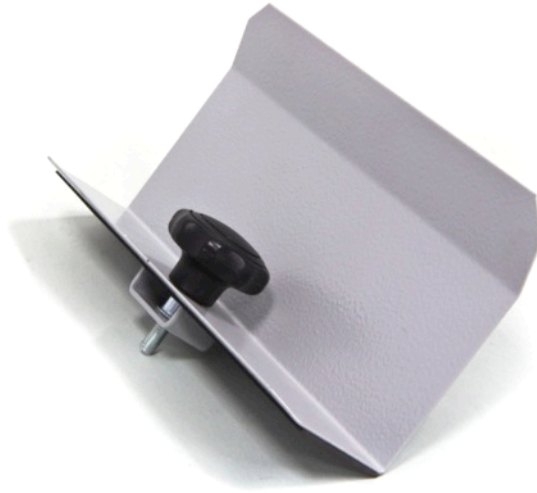
5571 49 884	Back side stop	2 pcs
-------------	----------------	-------



5571 49 737	Magnetic strip	4 pcs
-------------	----------------	-------



5571 49 885	Back side guide	1 pc
5571 49 886	Side guide fastening	1 pc
1321 00 020	Bolt VZJ40 M6x30	1 pc



5571 46 262

Delivery table

1 pc



5580 49 240
1309 10 381/2
1309 10 278/2

Safety bolt
Bolt M6x14 VS
Bolt M6x12 VS

2 pcs
24 pcs
4 pcs



2 x

24 x

4 x

1413 00 007/0
1413 00 012/0

Allen key size 2
Allen key size 3

1 pc
1 pc

1413 00 002/0
1413 00 008/0

Allen key size 4
Allen key size 5

1 pc
1 pc



1345 00 226/0

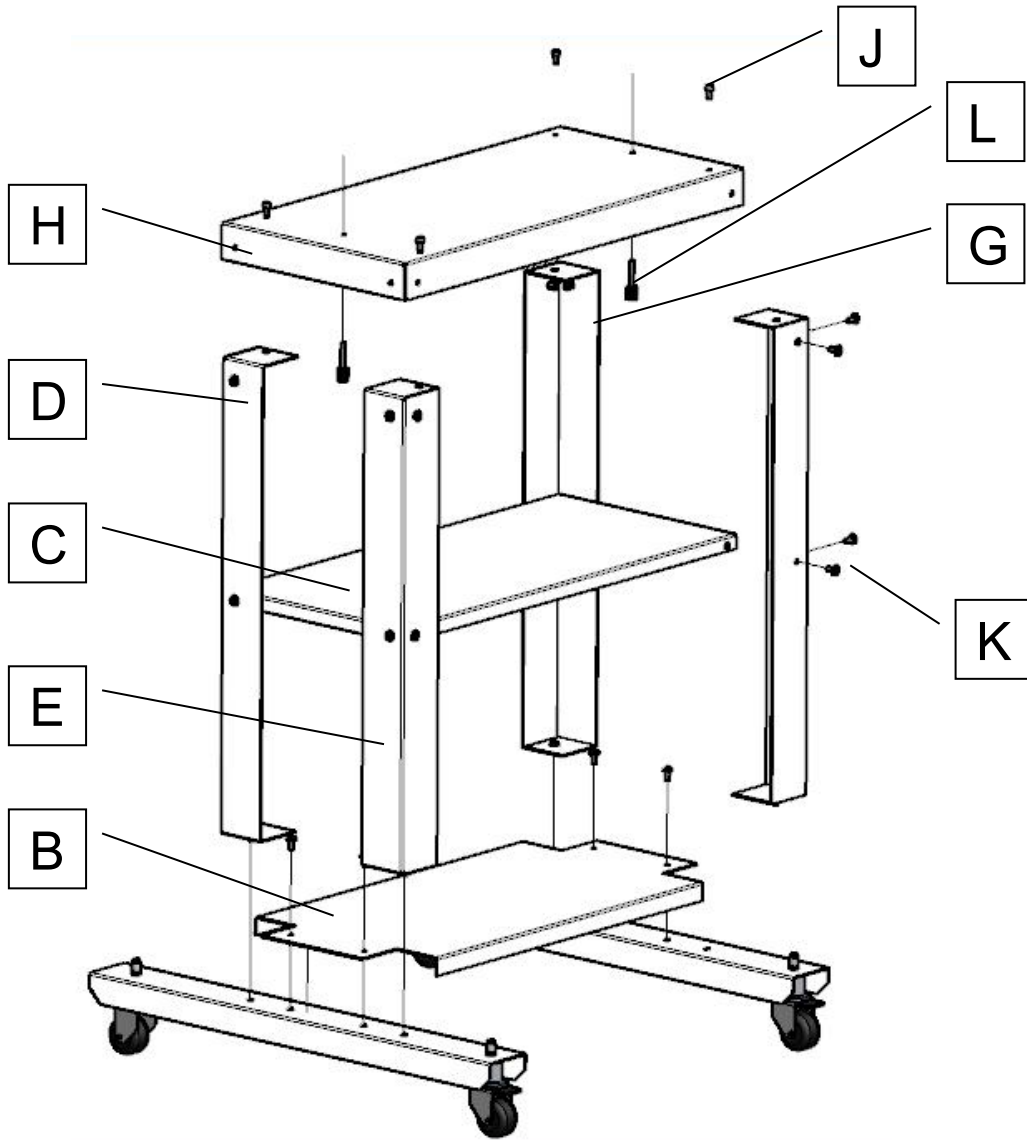
Power cable

1 pc

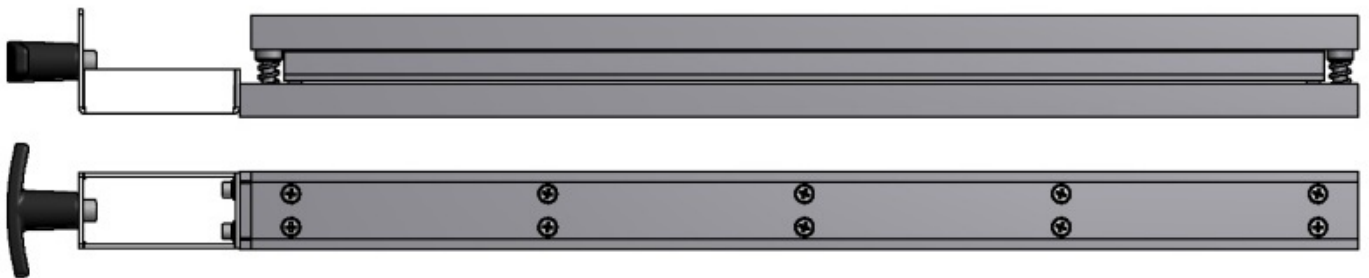


APPENDIX 2: INSTRUCTIONS FOR TABLE ASSEMBLY

- Base + wheels – A
- Bottom – B
- Shelf – C
- Leg 1 – D
- Leg 2 – E
- Leg 3 – F
- Leg 4 – G
- Top – H
- Bolt M6x12 – J
- Bolt M6x14 – K
- Machine locking bolt – L



APPENDIX 3: OPTIONAL ACCESSORY



1. *Punching tool for wire binding – square 4 x 4, 3:1 (571 40 462)*



2. *Punching tool for wire binding – square 4 x 4, 2:1 (571 40 508)*



3. *Punching tool for wire binding – round, 3:1 (571 40 475)*



4. *Punching tool for wire binding with calendar semi-circle – square 4 x 4, 3:1 (571 40 463)*



5. *Punching tool for wire binding with calendar semi-circle – round, 3:1 (571 40 476)*



6. *Micro-perforating tool 30 TPI (571 40 464)*

