



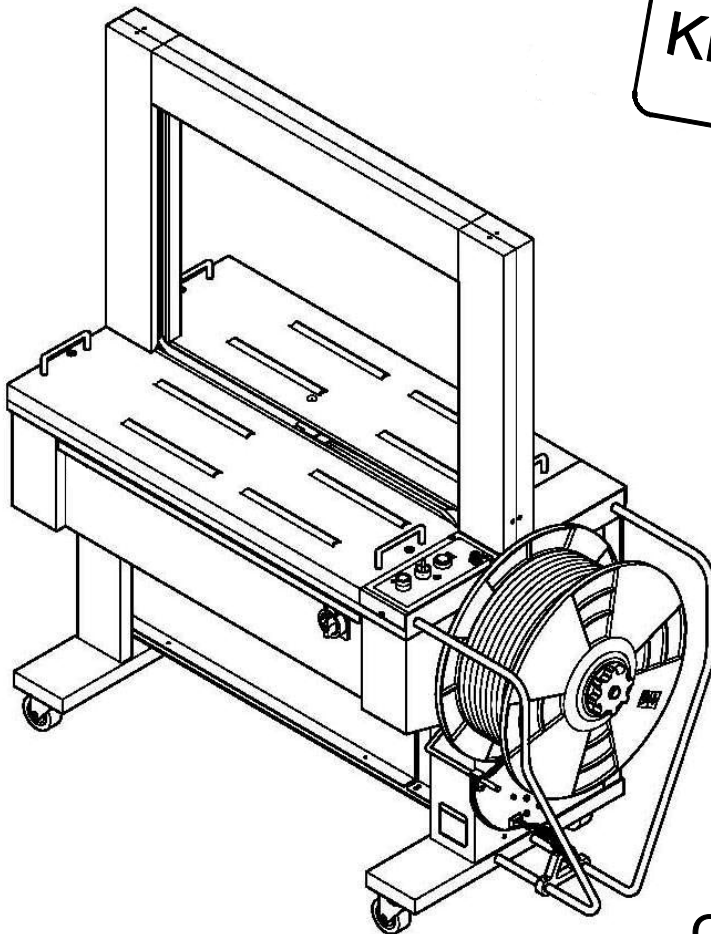
# AUTOMATIC POLYPROPYLENE **STRAPPING MACHINE**

TP-601D1      TP-601D3

TP-601L1      TP-601L3

## **OPERATION MANUAL & SPARE PARTS LIST**

**IMPORTANT!  
KEEP IT WELL**



**TY PAC  
Inc.**

PO Box 425  
Baldwinsville, NY 13027  
800 356-8964 315 638-9431  
FAX 315 638-9433  
www.typac.net  
info@typac.com

**Original Instruction**

***READ ALL INSTRUCTIONS BEFORE OPERATING THIS PRODUCT***

## **Explanations for Each Model NO. :**

TP-601D1 : Standard Single Phase Model

TP-601D3 : Standard Three Phase Model

TP-601L1 : Low Table Single Phase Model

TP-601L3 : Low Table Three Phase Model

# PART I

## CONTENTS

1.	Safety Instructions .....	1
	(1) Before Operating .....	1
	(2) During operating.....	1
	(3) After operating.....	1
	(4) Signs .....	1
	(5) Maintenance .....	2
	(6) Storage.....	2
	(7) Other Reminders.....	2
	(8) Attention.....	2
2.	Construction and Function of Units .....	3
3.	General Safety Remarks.....	5
	(1) Basic Operation .....	5
	(2) Basic Safety Precautions .....	5
	(3) Safety Instructions Governing Specific Operational Phases .....	5
	(4) Warning of Electrical Dangers.....	6
	(5) Grounding Instructions Shall Include the Following.....	7

4.	Machine Information.....	8
	(1) Areas of Application and Machine Description.....	8
	(2) Technical Data .....	9
	(3) Control Panel .....	11
	(4) Electric Control Unit .....	12
5.	Operating the Machine.....	13
	(1) Operation Space.....	13
	(2) Installation of Arch Unit (For TP-601D) .....	14
	(3) How to Load P.P. Strap .....	16
	(4) How to Operate.....	18
6.	Adjustments .....	19
	(1) Heater temperature mechanism .....	19
	(2) Feed and take-up mechanism .....	20
	(3) How to adjust LS3, LS2 .....	21
	(4) Amount of strap in Accumulator Box .....	23
7.	Maintenance .....	25
8.	How to Safely move the Machine.....	26
9.	Troubleshooting .....	27
10.	Wiring Diagram .....	28



# 1. Safety Instructions

## (1) Before Operating

- a. Read the instruction manual.
- b. Wear eye protection and safety gloves before operating this machine.



Eye protection must be worn    Safety gloves must be worn    Ear-protector must be worn

- c. Verify that the power line voltage is correct.
- d. The machine must be properly grounded to avoid a shock hazard. All wiring must be in accordance with local wiring standards.
- e. The strapping machine can only be operated with polypropylene (P.P.) strapping; do not use polyester (PET) strapping or polyethylene (PE) cord strap.

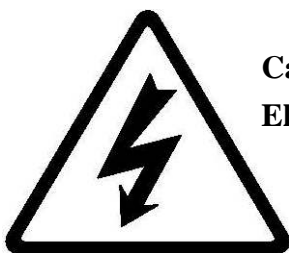
## (2) During operating

- a. The weight of the package cannot exceed 100 kg (220 lbs),
- b. The size of the package should not be less than 130mm (width) × 20mm (high) (5.1” × 0.79”).
- c. Check if the machine emits any smokes or unusual sound when it is running.
- d. Keep away from the inside of the arch while the machine is operating; do not put your hands or body into the arch when the machine is running.

## (3) After operating

- a. Remove dust and dirt from the unit; pay particular attention to the interior of the arch.
- b. Turn off the power when the machine is not in use.

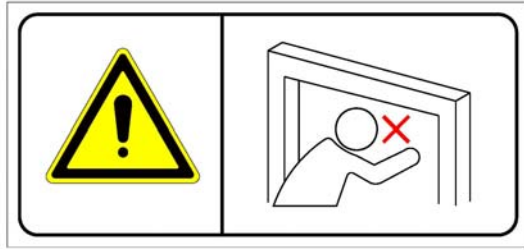
## (4) Signs



**Caution!**  
**Electric Shock Hazard**



**Caution!**  
**Hot!**  
**Do not touch!**



**Warning for danger!**  
**Do not put your hands or body**  
**into arch working area when**  
**machine is operating.**

**(5) Maintenance**

- a. Turn off the power before removing either of the top covers.
- b. The heater tongue is very hot; do not touch it.

**(6) Storage**

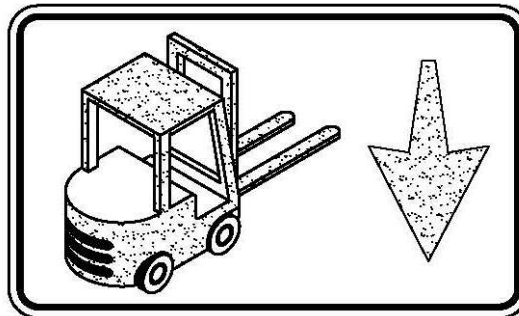
- a. The store room must be dry.
- b. Do not expose the machine to extreme cold or heat environment.
- c. Place the machine on an even floor in order to avoid any distortion.

**(7) Other Reminders**

- a. A operation manual must remain attached to the machine at all times.
- b. Do not alter the equipment or circuitry unless authorized to do so by the manufacturer.

**(8) Attention**

When the machine arrives in your warehouse, you need to use a forklift to take it off from the pallet. If you could go down to the bottom side of the machine, you would see an indication sticker as follows: (TP-601L)



Follow this sticker and lead the teeth of a forklift to that indicated position. After making few distance adjusting, you then could drive the teeth in and take off the machine.

## 2. Construction and Function of Units

### a. TP-601D

#### 1 Strapping head unit

This unit is the most important part of the machine for cutting and sealing of P.P.

#### 2 Bandway unit

This is the arch track through which P.P. strap forwards or reverses.

#### 5 Body frame unit

#### 4 Reel unit

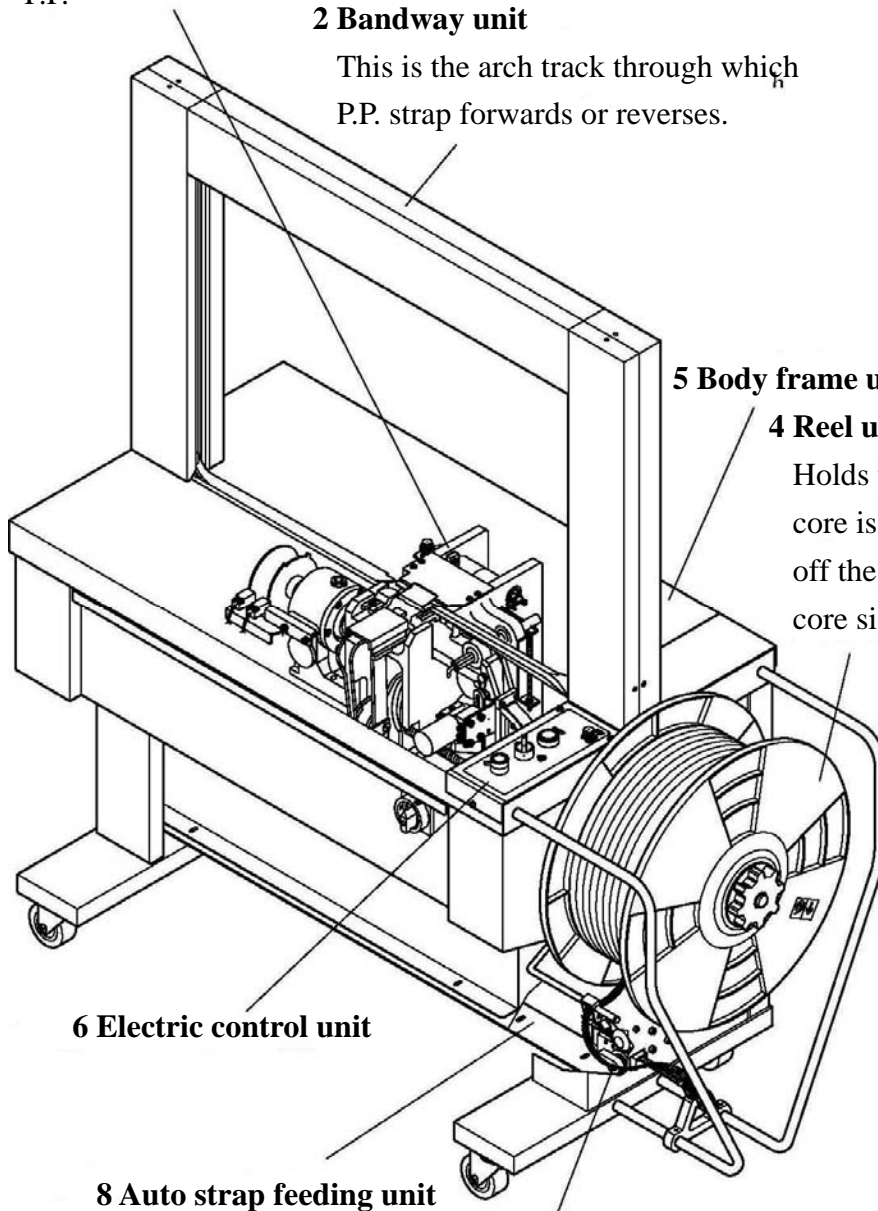
Holds the strap coil. (If strap core is 280mm, you can take off the center drum to have core size 200mm.)

#### 6 Electric control unit

#### 8 Auto strap feeding unit

#### 3 Accumulator unit

This unit accumulates the quantity of strap required for smooth feeding into the chute track.



**b. TP-601L**

**4 Reel unit**

Holds the strap coil.

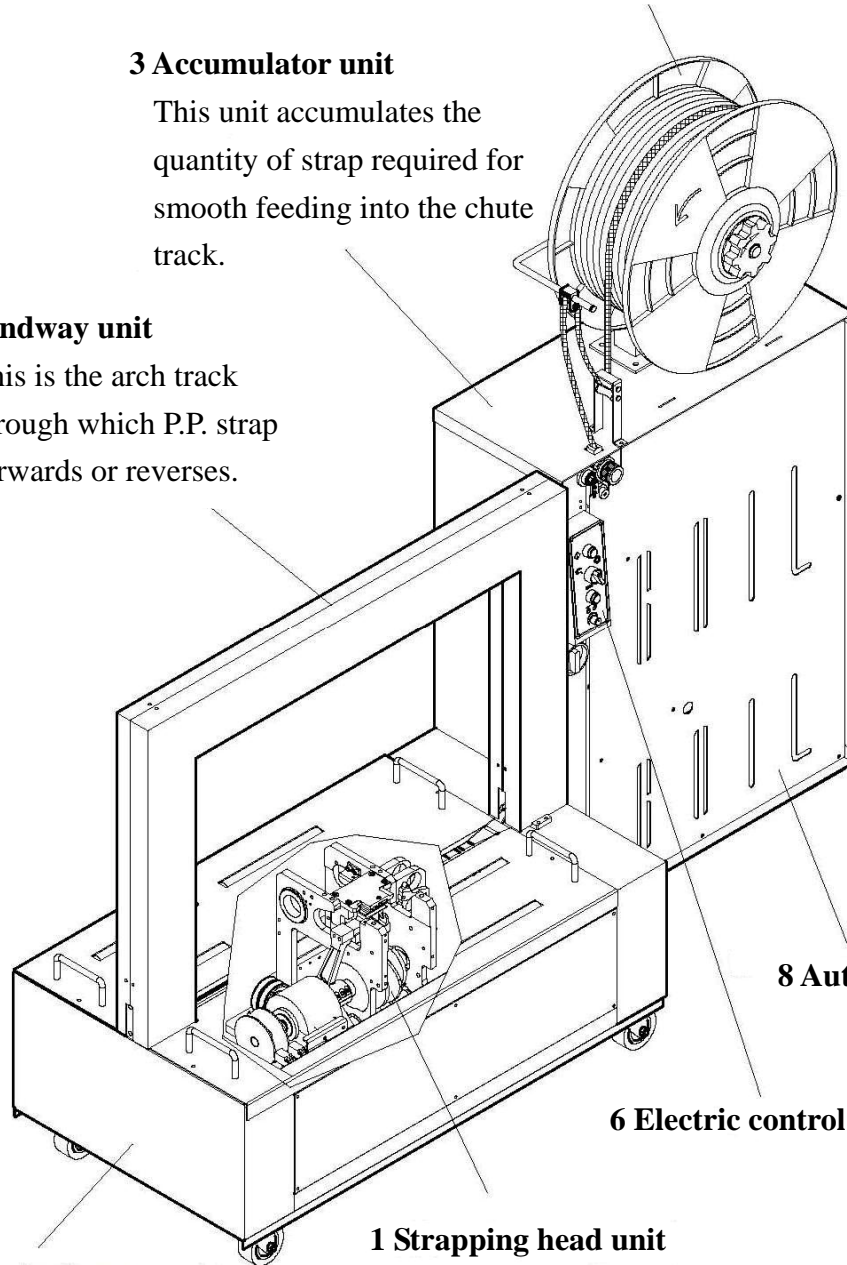
(If strap core is 280mm, you can take off the center drum to have core size 200mm.)

**3 Accumulator unit**

This unit accumulates the quantity of strap required for smooth feeding into the chute track.

**2 Bandway unit**

This is the arch track through which P.P. strap forwards or reverses.



**8 Auto strap feeding**

**6 Electric control unit**

**1 Strapping head unit**

This unit is the most important part of the machine for cutting and sealing of P.P. strap.

**5 Body frame unit**

### **3. General Safety Remarks**

#### **(1) Basic Operation**

The machine is only to be operated when in good running condition and in accordance with the instructions provided in the operation manual. Operators must be trained in proper operation and safety of the equipment.

The machine may only be operated in accordance with its designated use.

#### **(2) Basic Safety Precautions**

In addition to the instructions for operation, the user is to be instructed in all generally applicable legal or mandatory regulations relevant to safety or the environment.

Long hair, loose-fitting garments, or jewelry can be a safety hazard. These items must be secured prior to equipment operation.

Use protective equipment whenever appropriate or when required by law.

Carefully observe all safety instructions and warnings attached to the machine. Keep safety labels clean and legible.

People that are being trained to operate or service the equipment must be supervised by experienced personnel.

Any electrical work performed on the equipment must be conducted by a skilled electrician or under the supervision of a skilled electrician. All work must observe good electrical engineering practice and follow safety rules and local wiring standards.

#### **(3) Safety Instructions Governing Specific Operational Phases**

Avoid unsafe operation of the equipment.

The machine is only to be operated when it is in good running order. Only operate the equipment in a safe manner; all protective and safety devices must be in place and fully functional. This includes removable safety devices, emergency shut-off equipment, noise-protection devices and exhaust fans.

The machine is to be checked for damage and defects at least once each work shift. Any changes, including the working behavior of the machine, are to be reported immediately. If necessary, the machine is to be stopped and locked-out immediately.

In case of a malfunction, the strapping machine is to be immediately stopped and locked-out until the fault has been eliminated.

Before starting the strapping machine, make sure that the area is clear and safe.

Operating personnel need to be briefed before executing special operations and maintenance work; this work needs to be done with the proper supervision.

Always check and tighten connections after maintenance or repair.

After completing maintenance or repair, all safety devices must be replaced and checked for functionality before operating the equipment.

To minimize the environmental impact, all consumables and replaced parts must be disposed of safely.

Before starting the machine, check that the accessories have been stowed away safely.

Avoid operating the machine in a fashion that could upset its stability.

#### **(4) Warning of Electrical Dangers**

##### **Electrical Energy**

Immediately remove power to the machine in case of trouble in the electrical system. Replace a fuse with one with the same style and ratings; pay particular attention to matching the specified current.

Any electrical work performed on the equipment must be conducted by a skilled electrician or under the supervision of a skilled electrician. All work must observe good electrical engineering practice and follow safety rules and local wiring standards.

Inspect the electrical equipment of the machine at regular intervals. Tighten any loose connections. Check wiring for scorch marks; replace scorched wiring and determine and correct the reason for the overheating.

When working on live equipment, ensure that a second person is available to cut power in case of an emergency. When appropriate, secure the working area with safety tape and a warning sign. Use insulated tools for electrical work.

Before working on high-voltage assemblies, turn off the power supply. Carefully discharge the supply cable and short-circuit any energy-storage components such as capacitors.

If the equipment was moved, carefully refit and refasten all parts removed for transport before reapplying power.

Before moving the machine, remember to disconnect the power cable.

## **(5) Grounding Instructions Shall Include the Following**

This product must be grounded. In the event of an electrical short circuit, grounding reduces the risk of electric shock. This product is equipped with a cord that has a grounding wire and an appropriate grounding plug. The plug must be plugged into an outlet that is properly installed and grounded in accordance with all local codes and ordinances.

If repair or replacement of the cord or plug is necessary, connect the ground wire to the ground terminal of the plug. The wire with green insulation (with or without yellow stripes) is the grounding wire.

Check with a qualified electrician or service person if the grounding instructions are not clear or if in doubt about the proper grounding of the machine. Do not modify the plug provided; if it will not fit the power outlet, have the proper outlet installed by a qualified electrician.

### **DANGER!**

**Improper installation of the grounding can result in electrocution.**

## **4. Machine Information**

### **(1) Areas of Application and Machine Description**

This plastic strapping machine can be used for all types of strapping applications with package sizes of 130 mm(width) × 20 mm(height) and up.

This machine is particularly suitable for heavy packaged goods as well as printed products, boxes, etc.

#### **Machine Description**

Automatic plastic strapping machine for use with polypropylene strapping

Extra tough construction

Simple, safe and user-friendly operation

Automatic feeding-system

Automatic strap-end detection

Loop ejection

Mobile, with large table area and high capacity strap reel

Table surface made of stainless steel

Strap tension adjustable from soft to extremely high

#### **Environment Information**

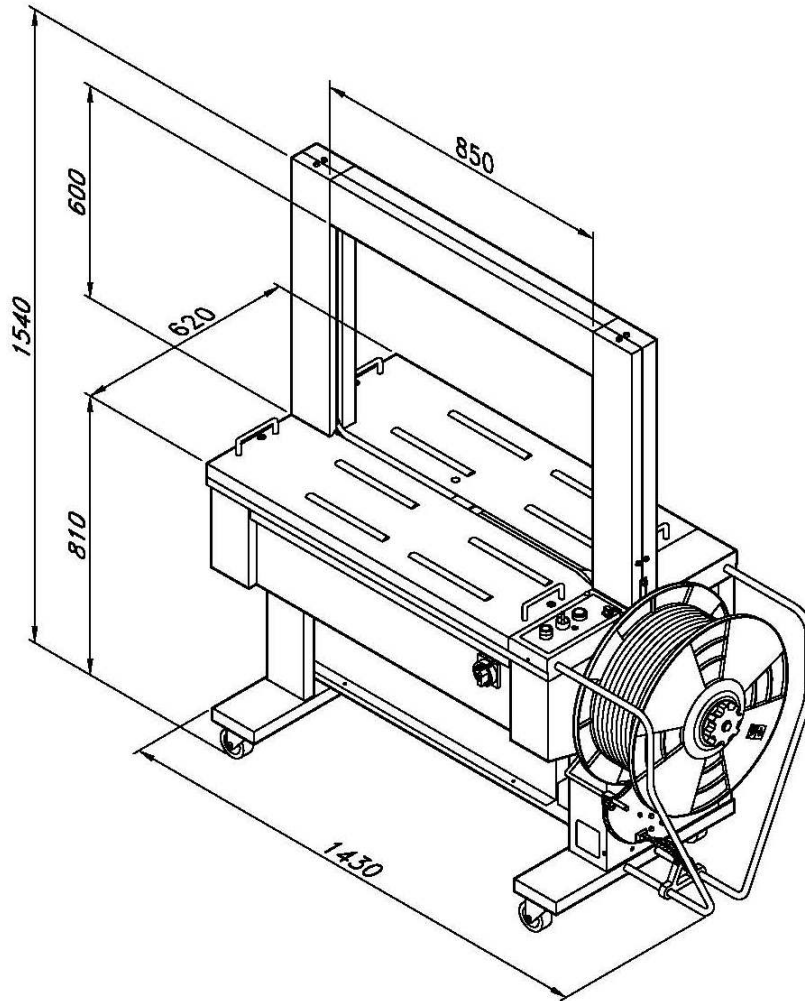
##### **The strapping machine shall be installed in the following conditions:**

- Supply voltage: 0.9 - 1.1 nominal supply voltage
- Source frequency: 0.99 - 1.01 nominal frequency
- Ambient temperature: 5°C - 40°C (41°F-104°F).
- Relative humidity: not exceed 50% at 40°C.
- Please provide a suitable illumination around the machine for safety operation.



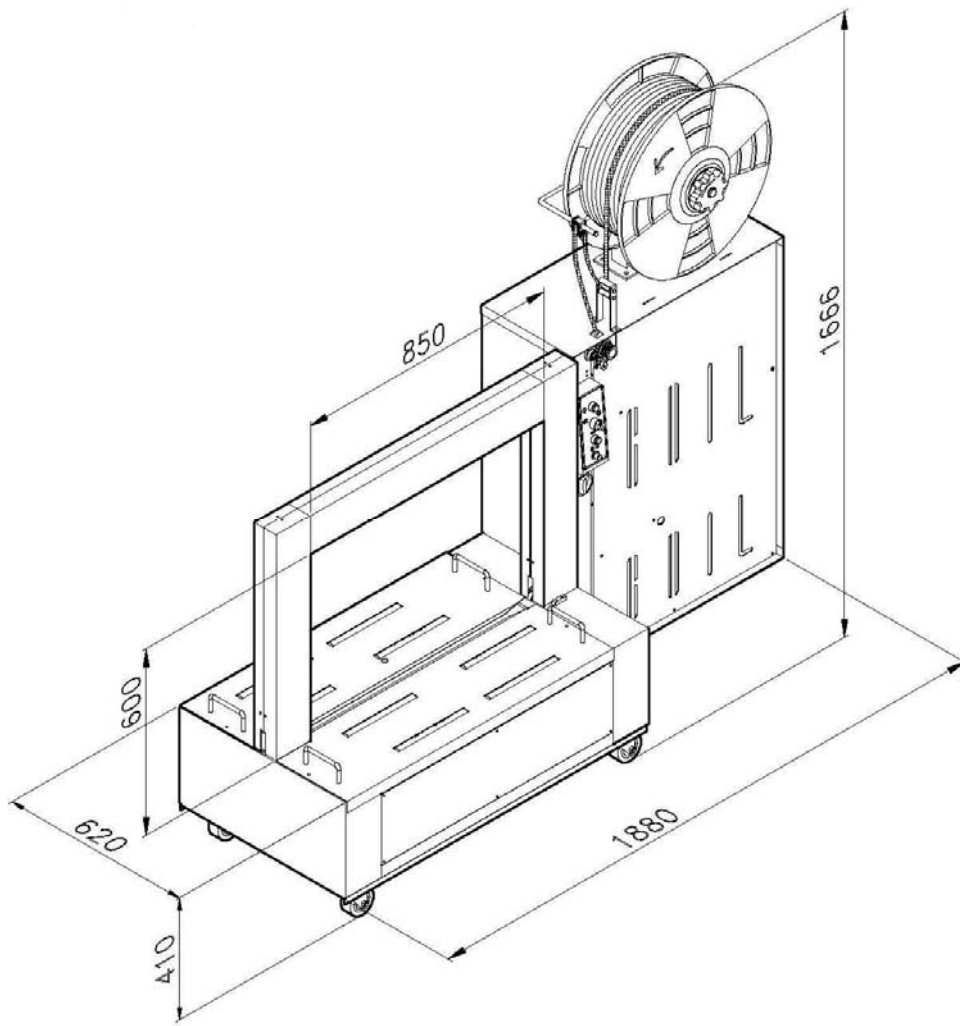
## (2) Technical Data

### a. TP-601D



Sealing method :	Heat
Strap width :	8 mm to 12 mm (3/8" - 1/2")
Strap thickness :	0.55 mm up to 0.75 mm (0.022" - 0.03")
Strap reel diameter :	200 mm (8" nominal)
Width :	1430 mm (56.3")
Depth :	620 mm (24.4")
Table height :	810 mm (31.9")
Electrical connection :	AC 110V/220V/230V/240V (50/60Hz), 1PH AC 220V/380V/400V (50/60Hz), 3PH
Weight :	220 kg (485 lbs.)
Noise emission :	83 dB (A)
Ambient temp :	5°C ~ 40°C (41°F ~104°F)

**b. TP-601L**



Sealing method :	Heat
Strap width :	8 mm to 12 mm (3/8" - 1/2")
Strap thickness :	0.55 mm up to 0.75 mm (0.022" - 0.03")
Strap reel diameter :	200 mm (8" nominal)
Width :	1880 mm (74")
Depth :	620 mm (24.4")
Table height :	410 mm (16.1")
Electrical connection :	AC 110V/220V/230V/240V (50/60Hz), 1PH AC 220V/380V/400V (50/60Hz), 3PH
Weight :	235 kg (518.1 lbs.)
Noise emission :	83 dB (A)
Ambient temp :	5°C ~ 40°C (41°F ~104°F)

### (3) Control Panel

#### ① Start Switch

This is the switch to start a strapping operation. A strapping cycle is completed only after actuation of this switch. (Indicator for strap goes to ready position)

#### ② Reset switch

This is the switch to activate auto strap feeding. In addition, it is used for troubleshooting. If the strap is mis-fed, you can push this button to solve the problem.

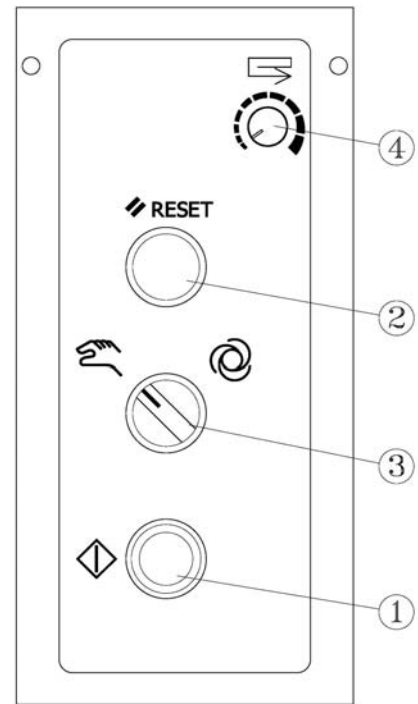
#### ③ @/☞ selector switch

While selector switch is placed to the position ☞, the machine will automatically strap the package when it is placed on the table and passes the chute arch, if the package remains under the arch, the strapping cycle will continue. While the selector switch is placed to the position @, after positioning the package under the arch, push the "START" switch, then one strap will be applied.

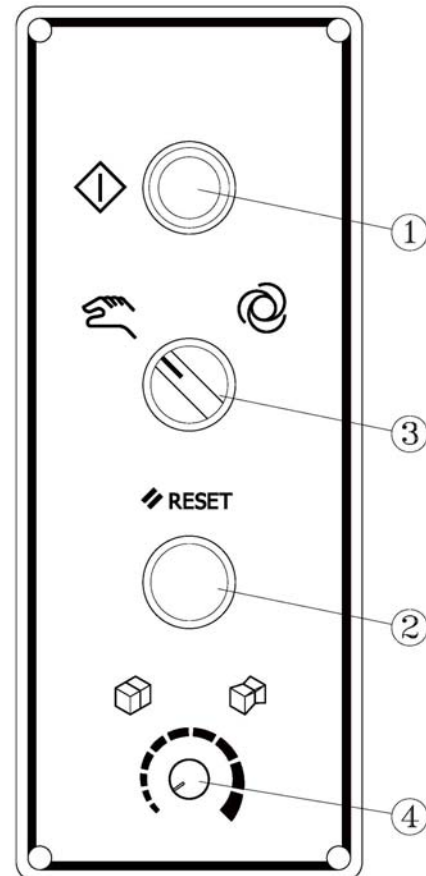
#### ④ Tension Adjustment Knob

External adjustment of strap tension by step-by-step rotation of this knob.

TP-601D



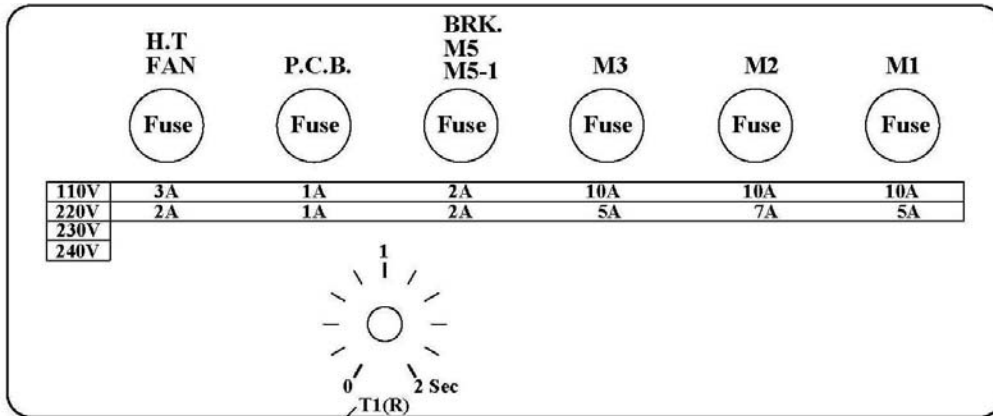
TP-601L



#### (4) Electric Control Unit

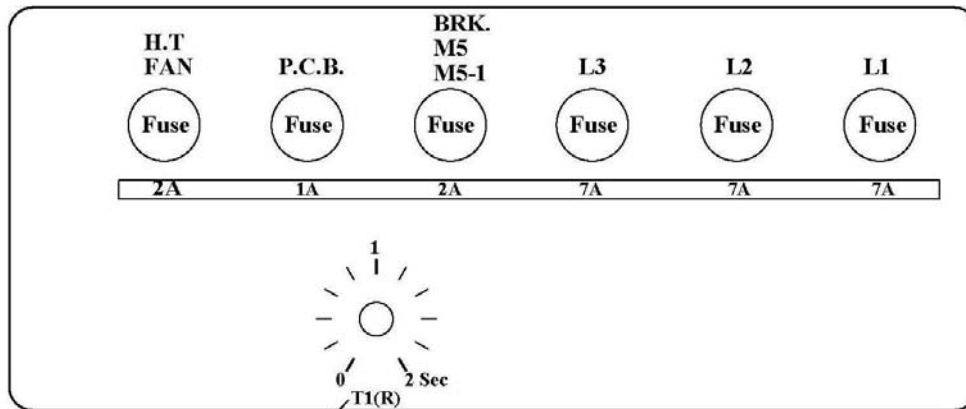
Timer, T1 (30) :

T1 timer determines the time necessary for strap take-up. While setting, please test with the minimum sized package. Normally, Timer T1 is set at about 0.5 second, but may have to be adjusted depending on arch size & actual package size.



TP-601D1

TP-601L1



TP-601D3

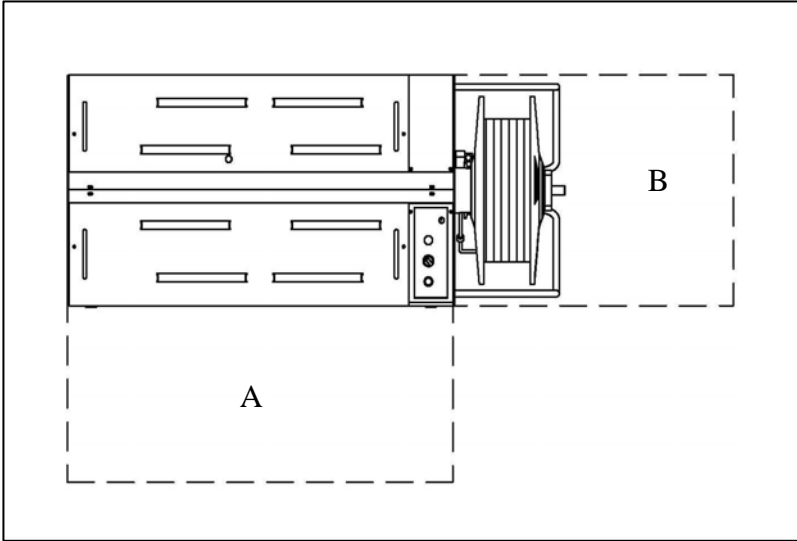
TP-601L3

# 5. Operating the Machine

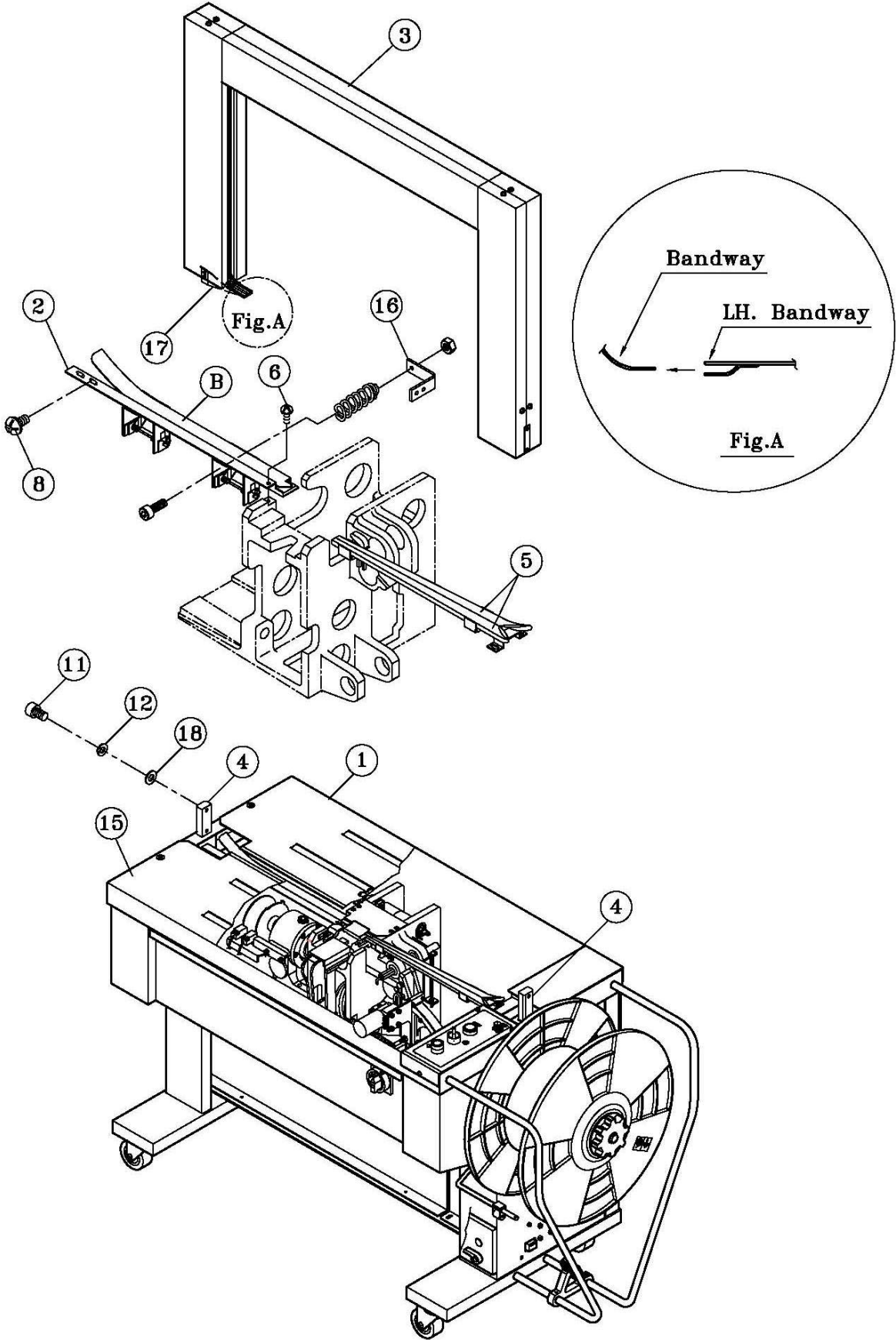
## (1) Operation Space

Keep the area (A) and (B) free for the operator.

The area (A) is necessary for operation strapping machine and the area (B) is necessary for changing the strap or adjusting strap amount in the accumulator.



(2) Installation of Arch Unit (For TP-601D)



a. Take the upper table ① , ⑮ off.

b. Take the LH bandway ② off.

⑥ TMS, M5×8 1PC

⑧ TMS, M6×8 2PC

⑪ HBS, M8×15 4PC

⑫ SW, M8 4PC

⑰ PW, M8 (A) 4PC

c. Slide the arch unit ③ into the fixing brackets ④ and fix both sides of the arch frame with ⑪ ⑫ ⑰.

\* Please note that is imperative to open the flaps of RH bandway ⑤ to protect them when installing the arch unit in. (open the flaps, before inserting the arch unit in)

d. Set the LH bandway ②, with ⑥ and ⑧.

d-1. Please note that the arch bandway (refer Fig. A) should be positioned between LH bandway and its fixing bracket.

d-2. Please set the LH bandway ② closely to ⑱ guiding angle (PART NO. T6-2-21260).

d-3. Push the ⑲ Band guide Spring Bracket backward to check if B will be automatically turned open. If so, the installation is OK.

e. Position the upper table ① ⑮ onto the machine body.

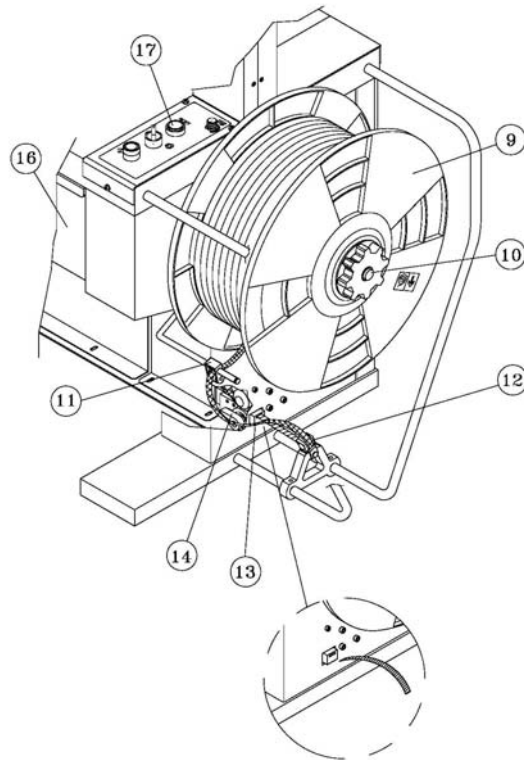
### (3) How to Load P.P. Strap

#### a. TP-601D

- Ensure that the power switch is turned off before loading P.P. strap.

##### Step 1

Place a strap coil on the reel drum in according to the arrow direction as indicated on the Reel Out Circular ⑨. After placing it, put the Reel Out Circular on the strap coil and tighten it by the Reel Nut Handle ⑩.



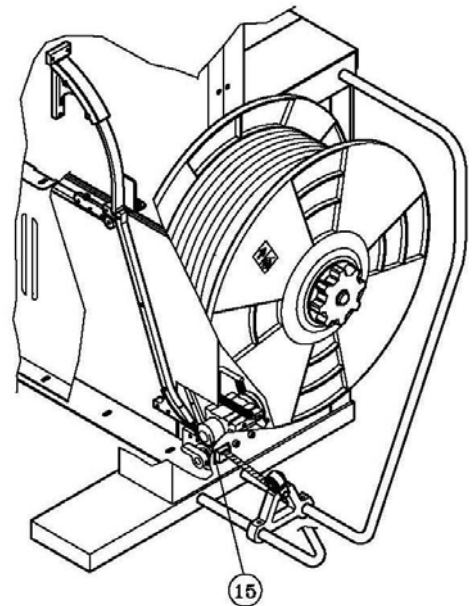
##### Step 2

Thread the tip of P.P. strap into the Band Guide Roller ⑪. After that, push it through the Free Angle ⑫.

At this moment, twist the strap so that the inside part of the P.P. strap turns out downward and outside surface touches on the roller. See the drawing.

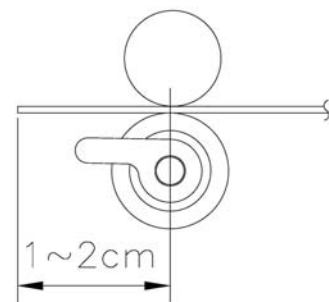
##### Step 3

Insert P.P. strap into the Pool Feed Shooter ⑬, pushing the lever ⑭ down and feed P.P. strap about 1-2 cm beyond Pool roller ⑮



##### Step 4

Turn on the power supply switch, and then push Reset Switch ⑰. After about 4 seconds, the strap will automatically go into the arch and pool.





## b. TP-601L

- **Ensure that the power switch is turned off before loading P.P. strap.**

### Step 1

Place a strap coil on the reel drum in according to the arrow direction as indicated on the Reel Out Circular ⑨. After placing it, put the Reel Out Circular on the strap coil and tighten it by the Reel Nut Handle ⑩.

### Step 2

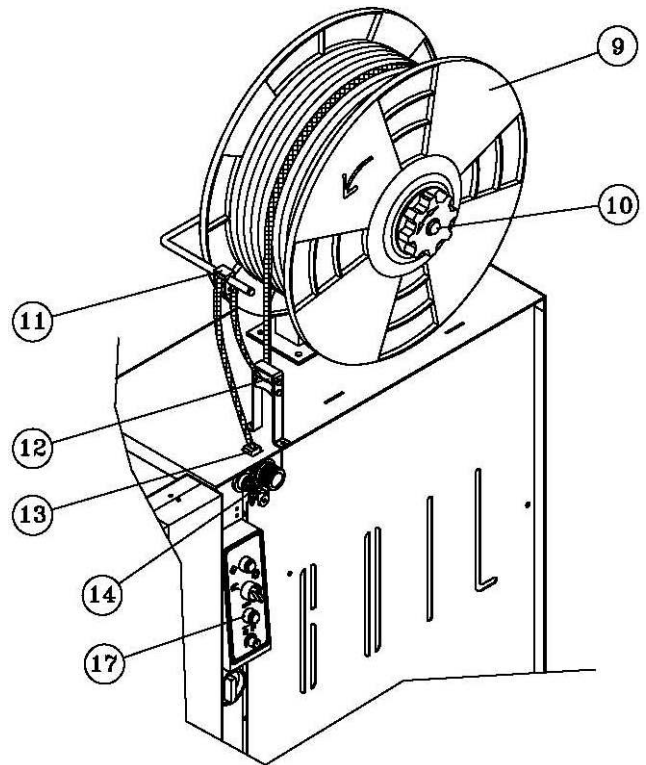
Thread the tip of P.P. strap into the Roller Bracket Ass'y ⑫. After that, thread it through the Band Guide Roller ⑪.

### Step 3

Insert P.P. strap into Pool Feed Shooter ⑬ and turn Accumulator Main Roller ⑭ until the P.P. strap about 1-2 cm beyond the Main Roller ⑭.

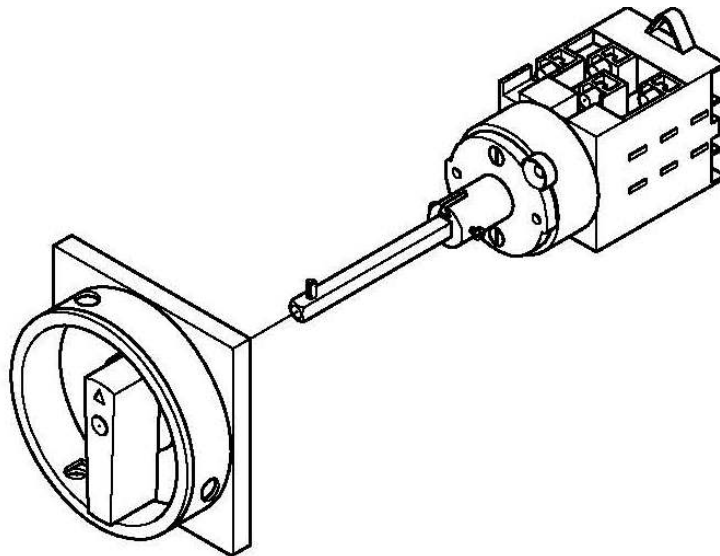
### Step 4

Turn on the power supply switch, and then push Reset Switch ⑰. After about 4 seconds, the strap will automatically go into the arch and pool.



#### (4) How to Operate

- a. Turn on the Main power switch (make a 90-degree clockwise turn). The front door will be locked at the same time. [If you want to open the front door, turn off the main power switch first (make a 90-degree counterclockwise turn). In this way, the operator can open the front door without risk.] (See drawing below)
- b. Wait for about 3 minutes until the heater element reaches its required operating temperature.
- c. Place a package in the middle of the chute.
- d. Set tension with Tension Adjustment Knob (VR)(see page part I P11 ④)
- e. Push start switch (see page part I P11 ①) or actuate foot pedal switch to start strapping. The strapping operation is repeated if the start switch is pushed again.



## 6. Adjustments

### (1) Heater temperature mechanism

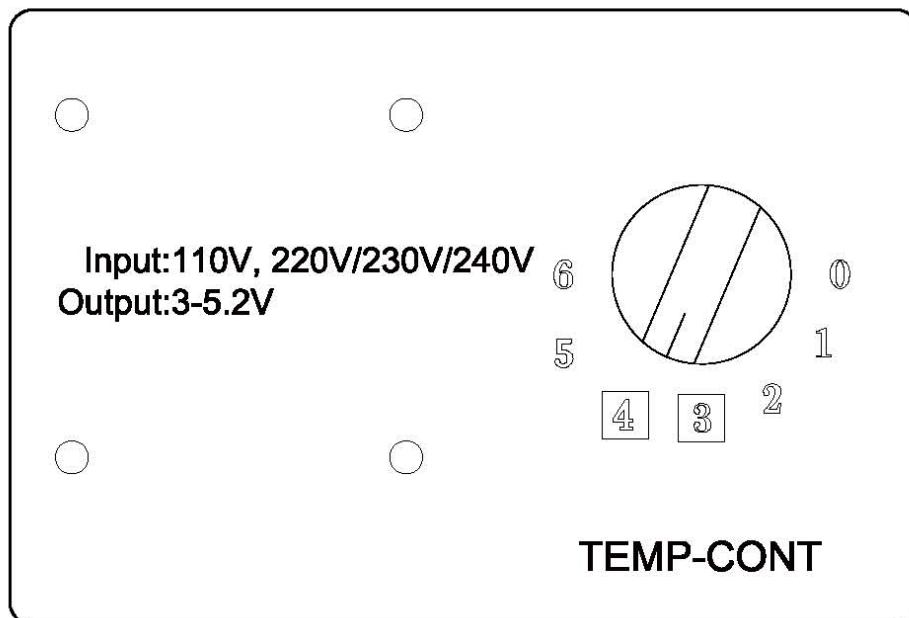
Set the knob to position 3 or 4

Adjust the heater temperature by selecting a value between 1 and 6.

Choose the suitable temperature, bearing in mind the environmental conditions of the machine.

If the heater temperature is too high or too low, a proper seal will not be obtained.

Gradually increase or reduce the heater-knob value until obtaining an optimum seal.



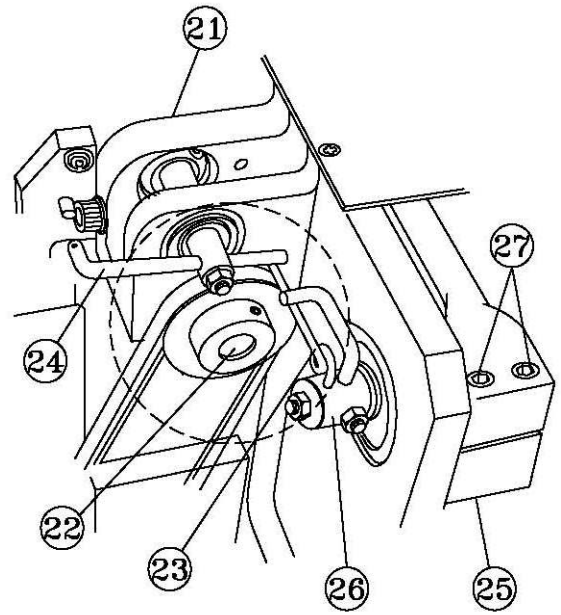
## (2) Feed and take-up mechanism

If this unit is not correctly adjusted, strap feed and take-up will become irregular.

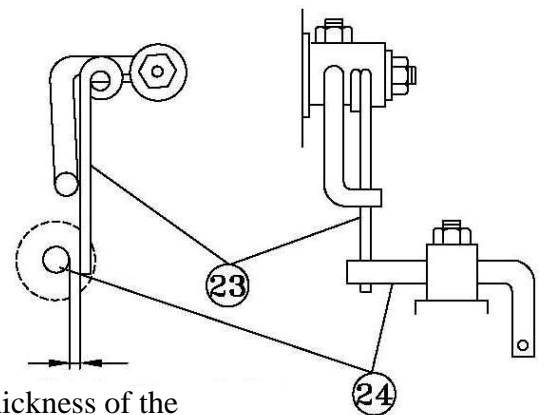
Normally, this unit is set to accept P.P. strap with the thicknesses of 0.55mm-0.75mm. If a different strap thickness is used, adjust the section marked by a circle in the drawing so that the clearance between the Upper Roller Spring

②③ and the Upper Shaft Spring Hook ②④

should be the thickness of the strap you are using. Strap can only be taken up properly if this unit is precisely adjusted. (If not, strap will be sealed before being tightened around the package) Moreover, strap will leave the chute arch track when feeding into it if there is no clearance.



- a. Check if the control unit returns to its original position. Insert the strap between Feed Roller ②② and Upper Feed Roller ②①.
- b. Loosen 2 Bolts ②⑦ holding the right-hand Block Arm ②⑤ with the Press Arm Shaft ②⑥. Press Arm Shaft can then easily be moved by hand.
- c. Adjust so that there is a clearance between the Upper Roller Spring ②③ and the Upper Shaft Spring Hook ②④ the same as the thickness of the strap you are using.
- d. Tighten 2 Bolts ②⑦ .



The thickness of the strap you are using

### (3) How to adjust LS3, LS2

Figure 1: LS-3 Home Position

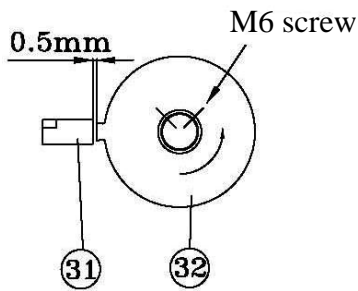


Figure 1-1

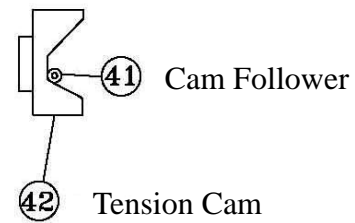


Figure 1: LS-2

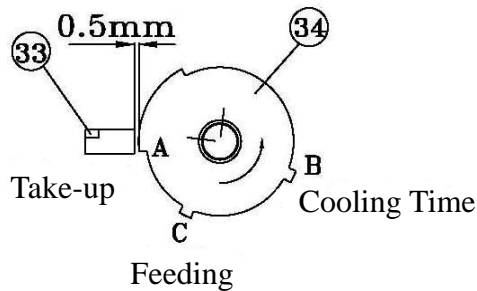


Figure 2-1

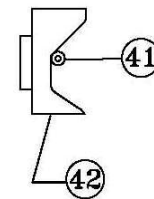


Figure 1 shows the correct position for LS3 Proximity Sensor (31) and the Limit Switch Cam (32) while the machine is in home position.

The machine will stop as soon as the LS3 Proximity Sensor (31) detects that Limit Switch Cam (32) is activated. At this time, the Cam Follower (41) must stop at the corner position on the Tension Cam (42) as shown in **figure 1-1**. If not, please adjust according to the following instructions.

#### Adjustment

If Cam Follower (41) stops *before* the correct position:

- Loosen the two M6 screws and turn the Cam Roller slightly clockwise, then tighten the M6 screws.
- Reset the machine and allow it to cycle again to ensure that the Cam Follower (41) stops at the correct position.
- If the problem has not been eliminated, please repeat the "Step One" until the Cam Follower (41) stops at the correct position.

If Cam Follower ④ stops beyond the correct position:

Please also loosen the M6 screws but turn the Cam Roller slightly counterclockwise until the Cam Follower ④ stops at the correct position.

**Figure 2** shows the correct position for LS2 Proximity Sensor ③ against the lobes of the Limit Switch Cam ④ while machine is running.

When LS2 Proximity Sensor ③ detects Lobe A of the activated running Limit Switch Cam ④, the machine will stop about 0.3 seconds so that the machine can switch to take-up. In the meantime, Cam Follower ④ has to stay on the corner position of the Tension Cam ④ as shown in figure 2-1. If the Cam Follower is not at the correct position, please make the same adjustment as for LS3.

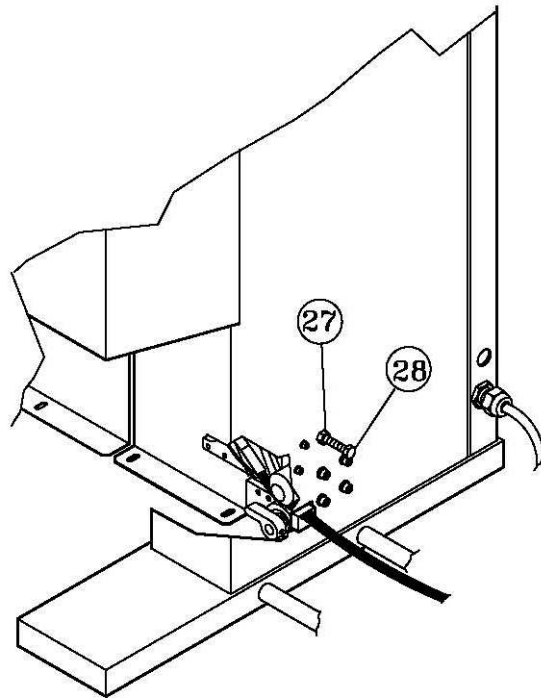
#### (4) Amount of strap in Accumulator Box

##### a. TP-601D

The machine has already been set in its Accumulator Box.

However, some adjustment may be required, depending on the actual quality or thickness of the strap used. If adjustment is necessary, proceed as shown in the following drawing.

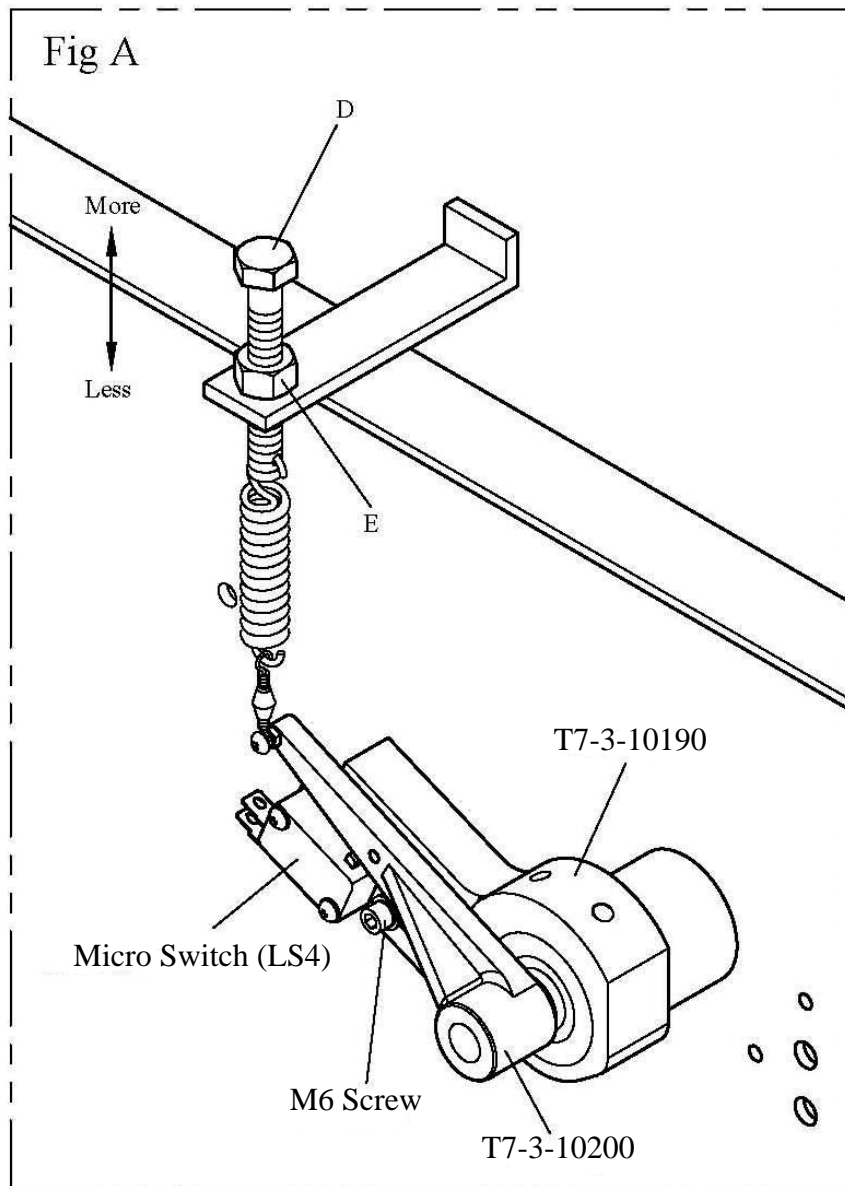
- a-1. In case that there is an insufficient amount of strap in the Accumulator Box, loosen the Nut (27) and turn the Screw Bolt (28) counterclockwise.
- a-2. In case that there is an excessive amount of strap in the Accumulator Box, loosen the Nut (27) and turn the Screw Bolt (28) clockwise.



**b. TP-601L**

Fig A:

If you have moved the LS4 Micro Switch to the left up to the bottom but you still do not have enough P.P. strap in the accumulator box, you can loosen nut E and turn the bolt D C.C.W. increase the amount of P.P. strap in the accumulator box. Finally tighten the nut E.





## 7. Maintenance

### Warning:

**Before any maintenance or repairs on the machine, set the Main Power Switch to "O" (OFF). Wait about 5 minutes for cooling down the heater to avoid burns with this area.**

### (1) Cleaning and Lubrication

The high reliability and long service life of the strapping machine will depend on regular cleaning and maintenance.

#### ATTENTION!

**All the important strap transport components, such as the feeding rollers and the strap guides, must be kept free from oil and grease. (lubricant)**

**The lubricant has to be non-resinous.**

**The lubricant is SAE 30**

### (2) Maintenance

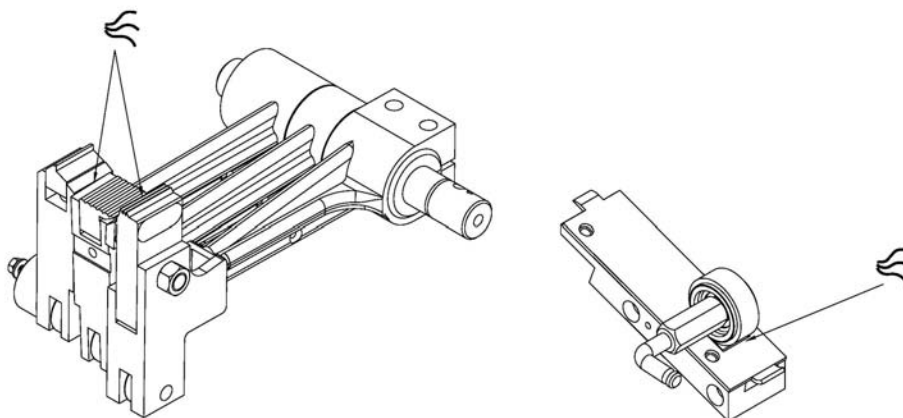
**Only use original spare parts supplied by manufacturer.**



#### Daily:

Use air gun to clean the circled positions (nearby the cutters, strap guide and accumulating feeding rollers) daily

Remove plastic residue in the machine.



**Monthly :( or 50,000 strapping cycles)**

Clean both sides of heater plate and polish with fine sandpaper if necessary

**ATTENTION: Make sure the welding plate is cool first!!**

Check supporting and cam rollers of strapping head for easy movement. The slide table must be moved back to home position automatically by the spring tension.

Be sure to clean any debris in the tension jaw.

**6 Months: ( or 300,000 strapping cycles )**

Check heater plate, replace and readjust it if necessary.

Check strap cutter in strapping head, replace it if necessary.

Check that connector at wiring loom to printed circuit board is firmly fixed.

Make machine ready for operation. Strap one bundle manually several times, paying attention to mal-functions, repeat procedure.

Check strap accumulating function. Do proper adjustments to accumulating feeding pressure or the reel brake belt

**1 year :( or 600,000 strapping)**

Replace deflection roller if it shows visible changes.

In case of loud noise at bearings: locate them, replace the bearings.

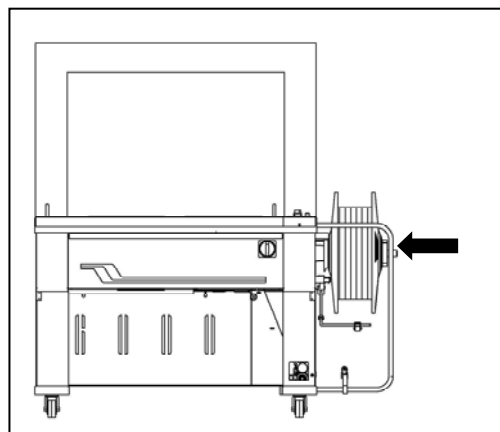
Get machine ready for operation again, strap one bundle manually several times, paying attention to malfunctions.

NOTE: Any other service must be performed by an authorized service representative.

## 8. How to Safely move the Machine

- a. Before moving the machine, be sure to unplug the power cord and put it in safe place to avoid any damage.
- b. Moving the machine by holding the Reel Guard to pull or push the machine.

**Note: Don't move the machine by pulling or pushing the arch unit.**



## 9. Troubleshooting

### (1) Incorrect strap feed and take-up

Probable Causes	Remedy
a. Incorrect strap threading direction on reel holder	a. Reload strap correctly (see page 16)
b. Incorrect loading of strap	b. Check if strap is twisted in loading section (see page 16)
c. Strap gets in between strap coil and Reel Flange	c. Reload strap
d. Insufficient or excessive strap	d. Adjust amount of strap accumulated (see page 23)
e. Dust and strap residues in Feed Unit	e. Check and clean unit
f. Strap end is split	f. Adjust Cutter Tension Spring or change cutter
g. Loose strap at Reel Unit	g. Adjust or change Brake Tension Arm Spring
h. Strap jumps out of arch track	h. Adjust F/R mechanism (see page 20)
i. Poor quality of strap	i. Cut off the damaged part of strap or change the roll
j. Improper positioning of package on Table Top	j. Replace the package in the center of the Sealing Head

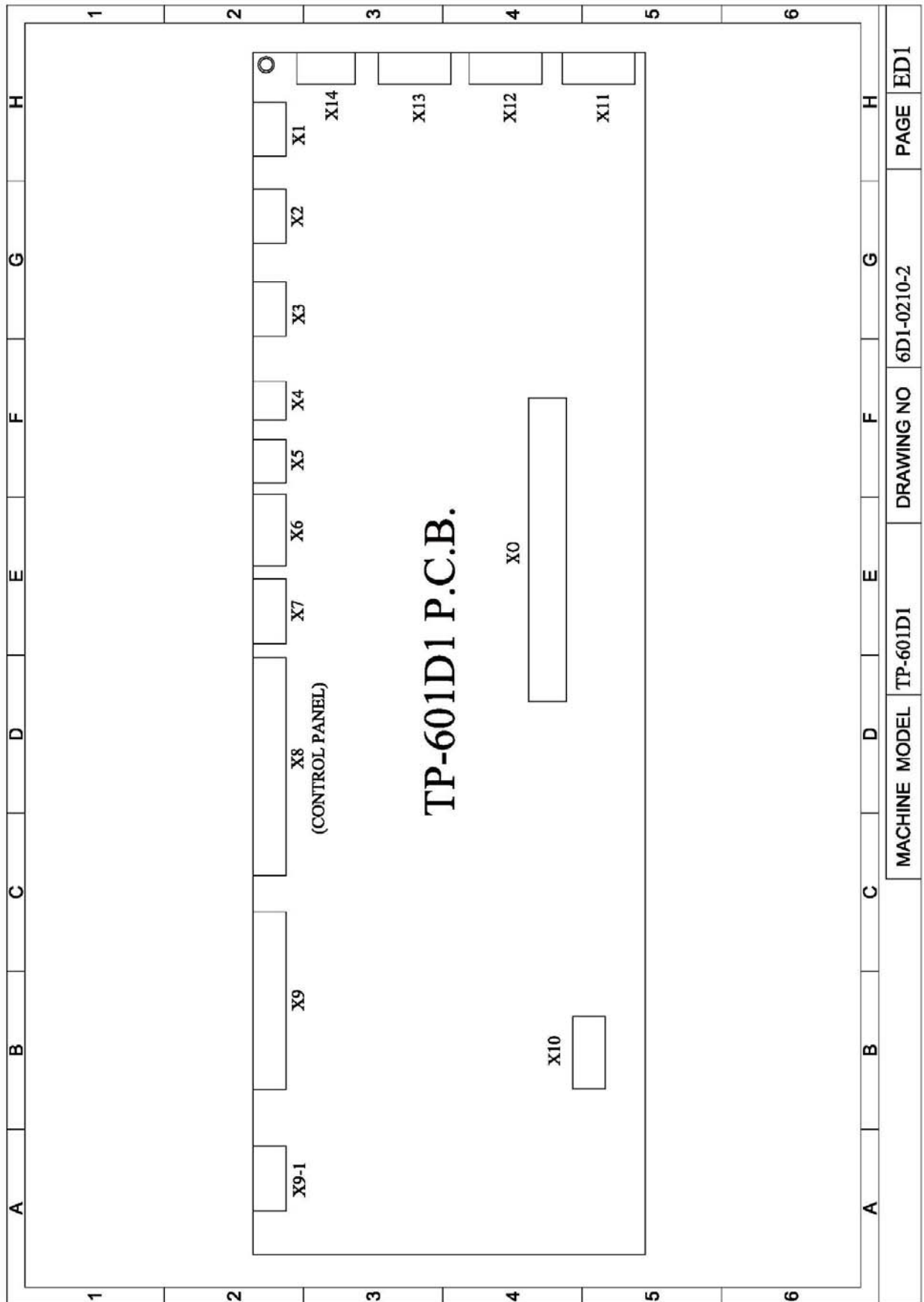
### (2) Strap unsealed

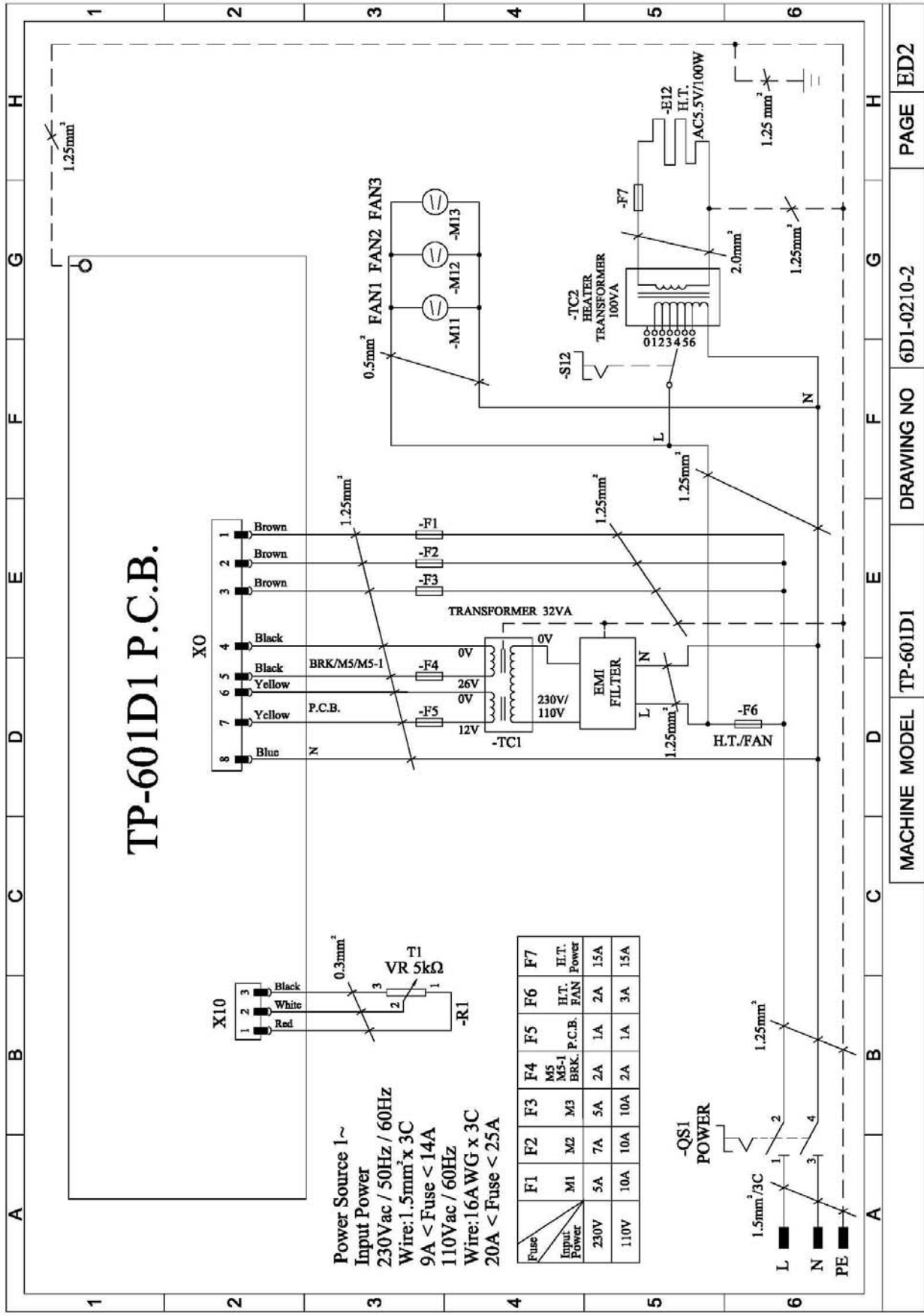
Probable Causes	Remedy
a. Wire inside or outside of Heater is broken, loose or out of connect	a. Check wire or change Heater
b. Improper setting of temperature	b. Adjust Heater Temperature (see page 19)
c. Value set at Tension knob is too high	c. Adjust Tension Knob (see page 11) or increase weld cooling time

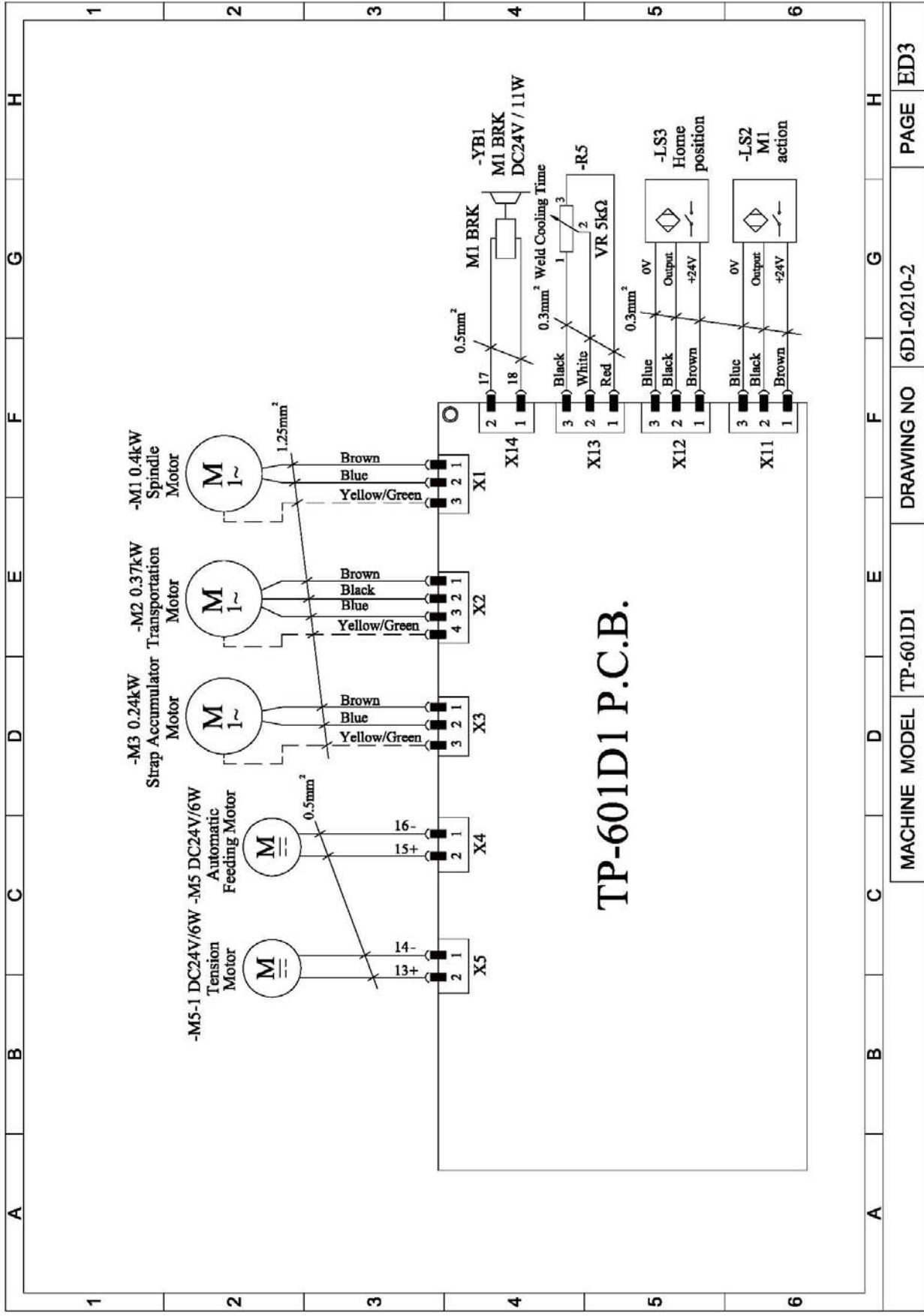
### (3) Improper strap tensioning

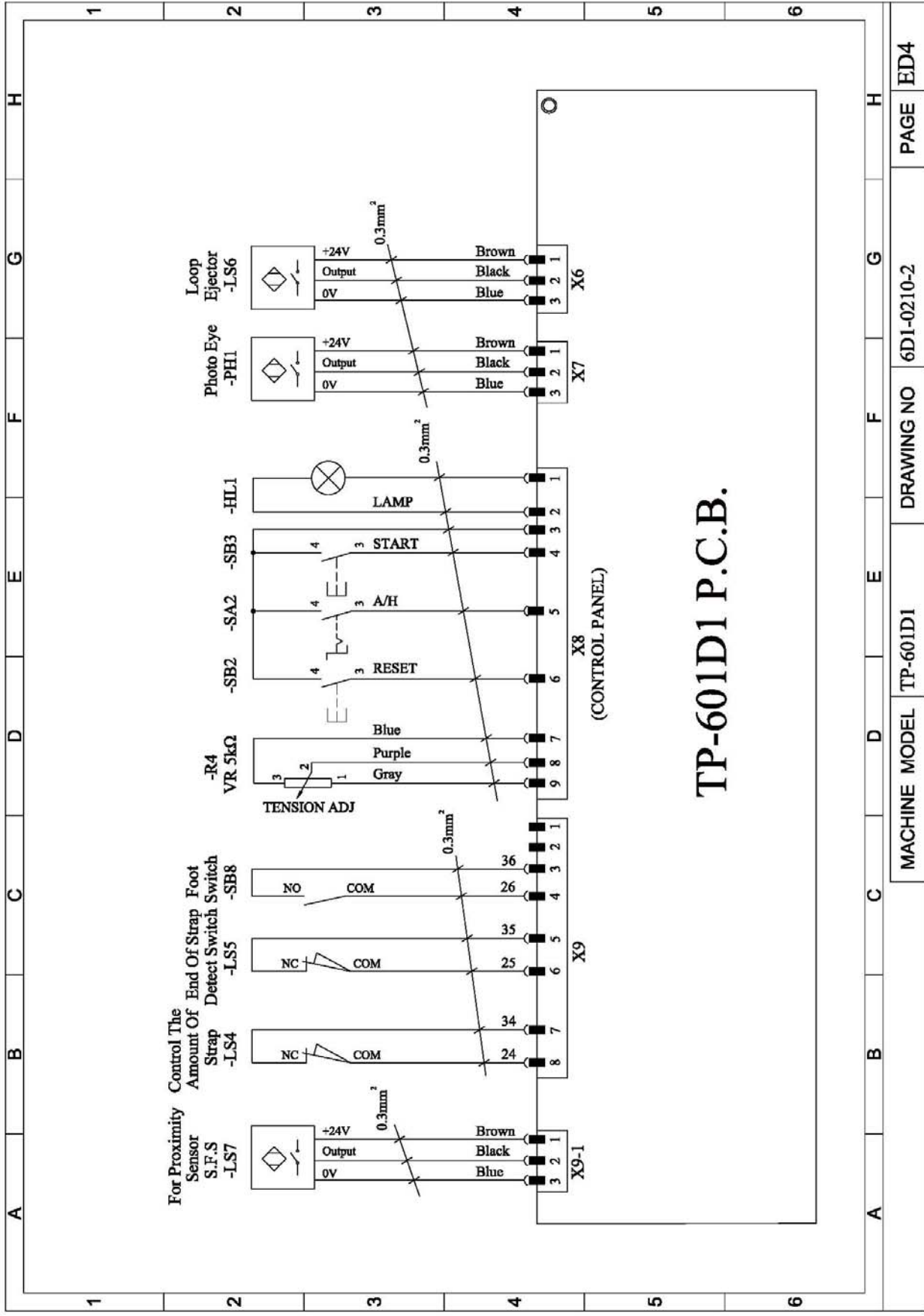
Probable Causes	Remedy
Value set for Timer T1 is too short	Adjust Timer T1 (see page 12)

# 10. Wiring Diagram

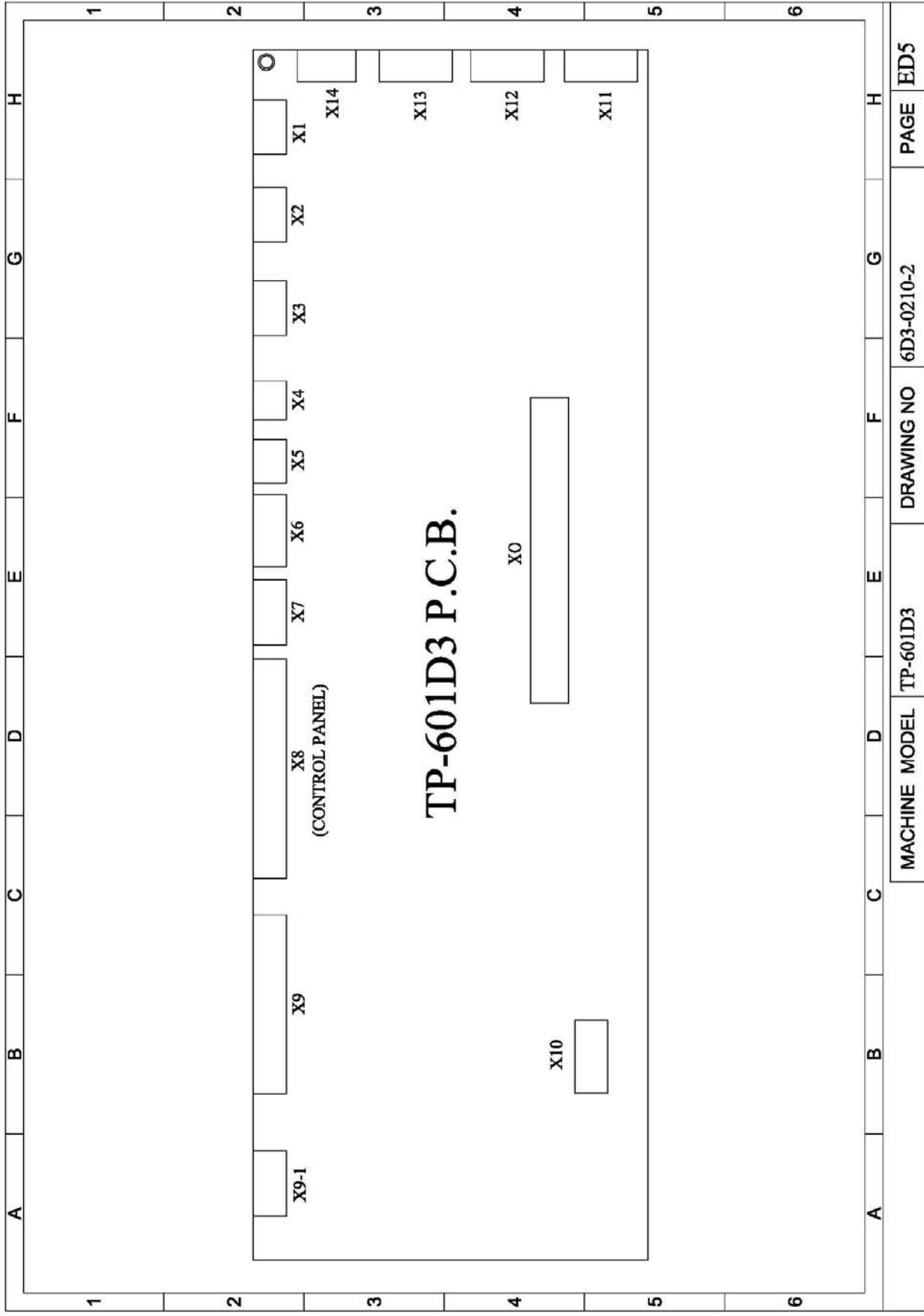






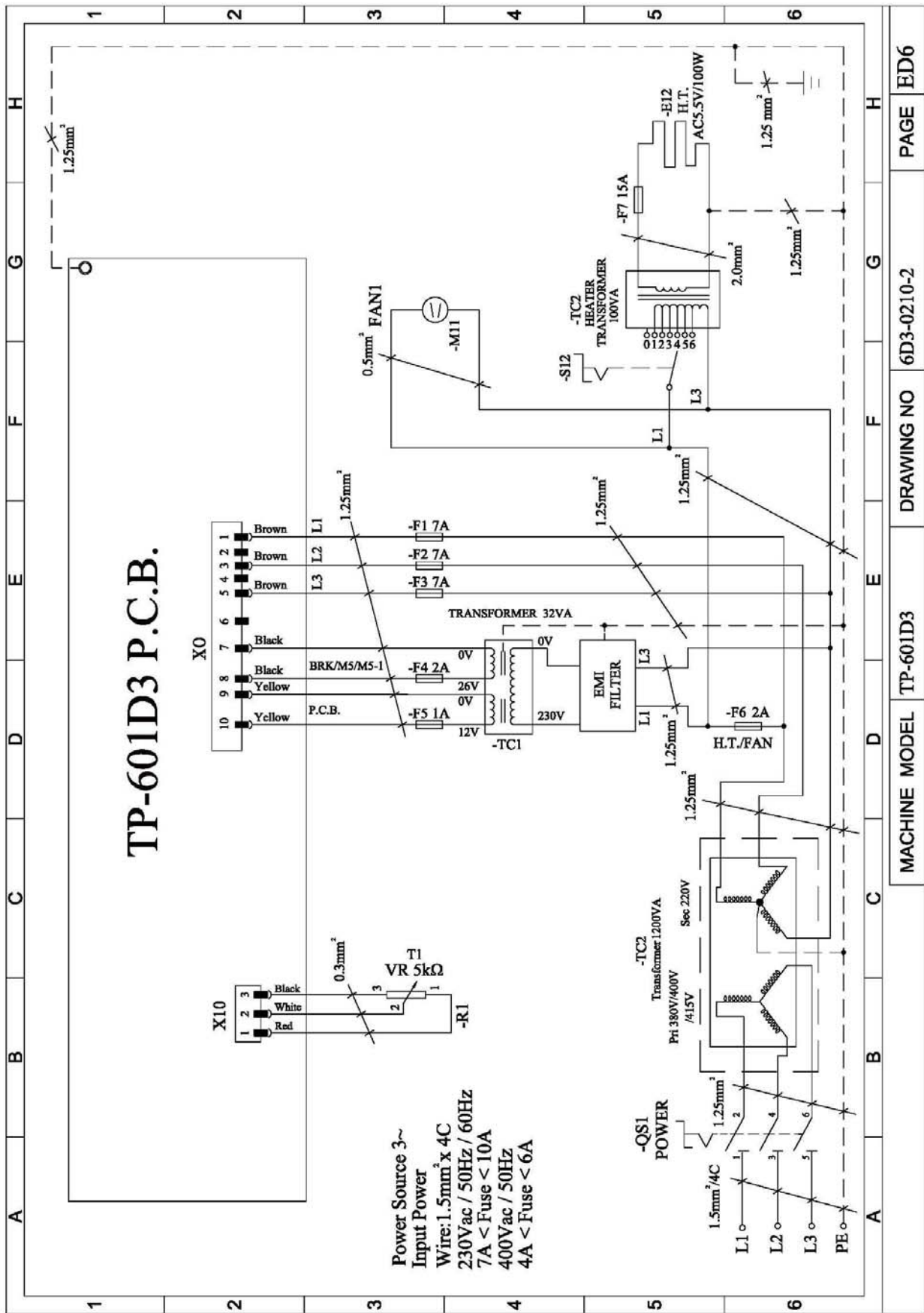


# TP-601D1 P.C.B.

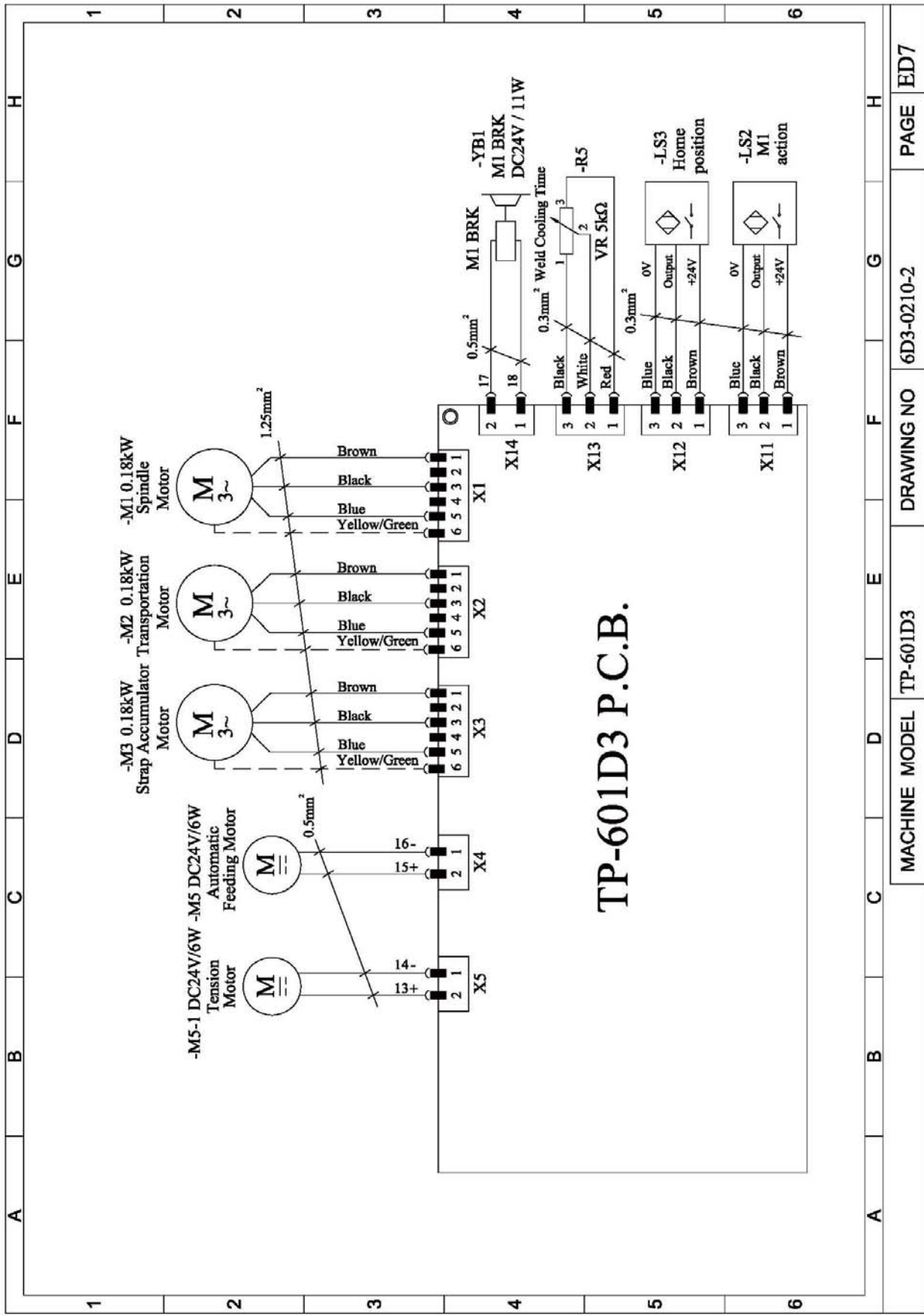


MACHINE MODEL	TP-601D3	DRAWING NO	6D3-0210-2	PAGE	BD5
---------------	----------	------------	------------	------	-----

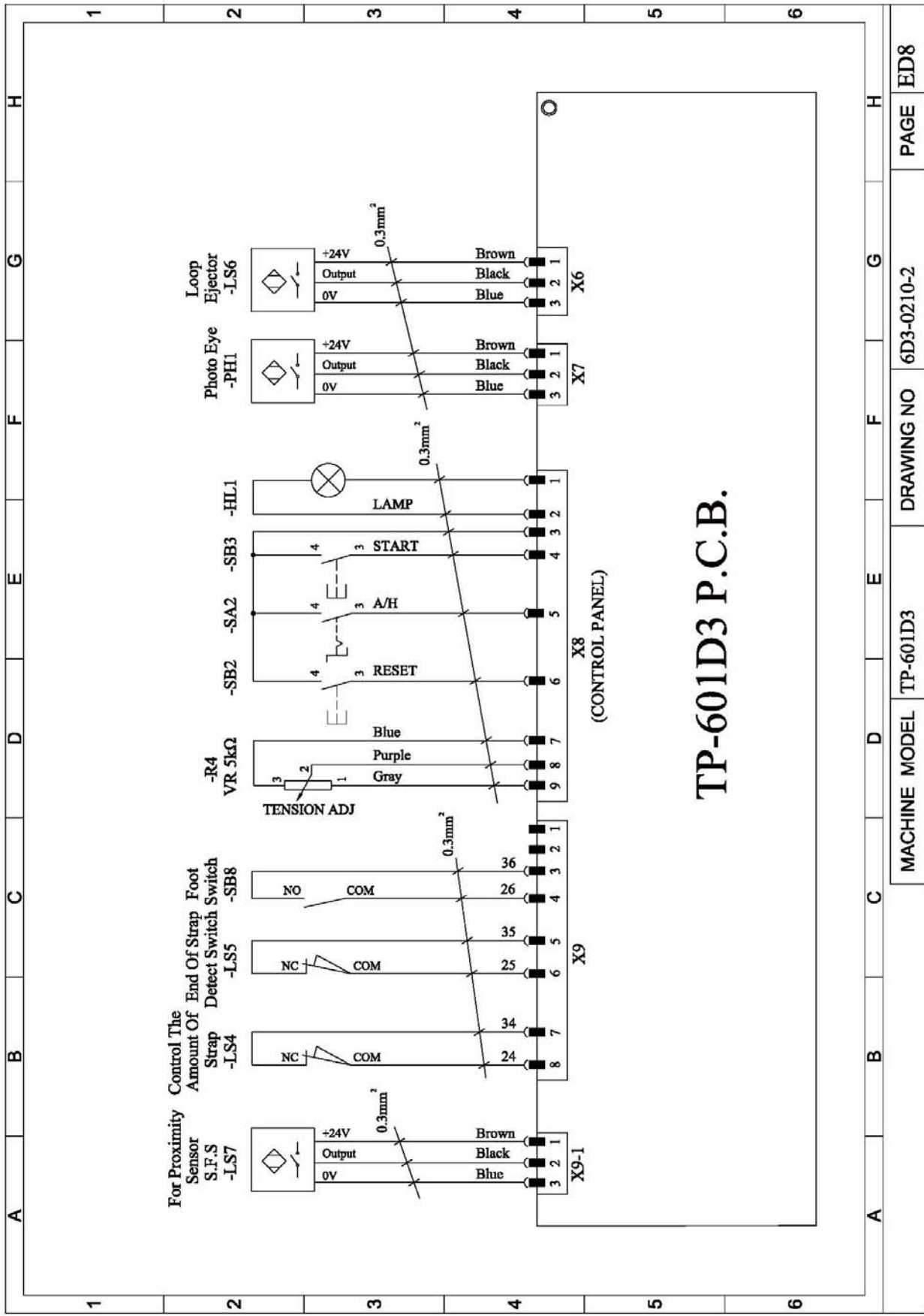




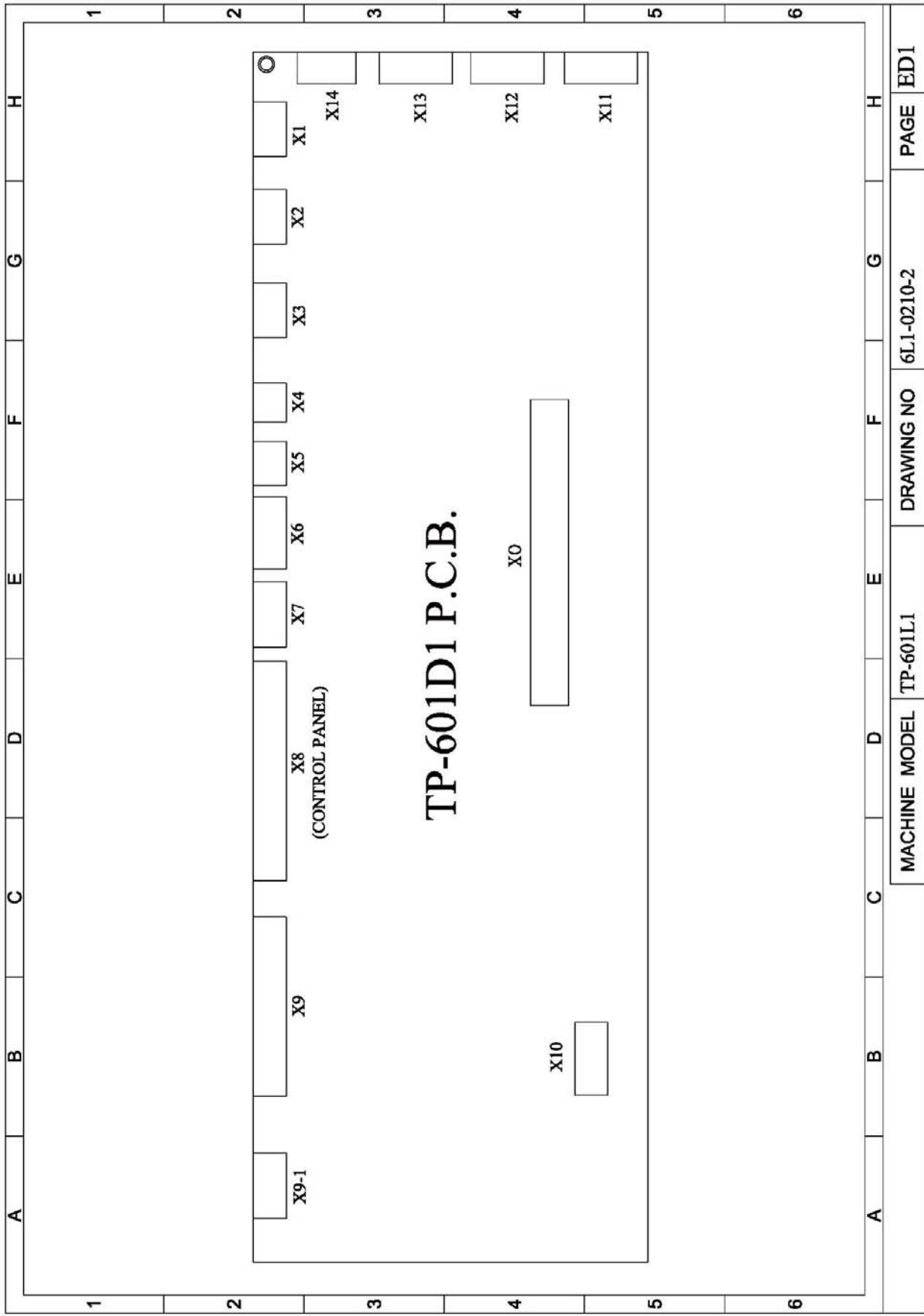
MACHINE MODEL	TP-601D3	DRAWING NO	6D3-0210-2	PAGE	ED6
---------------	----------	------------	------------	------	-----



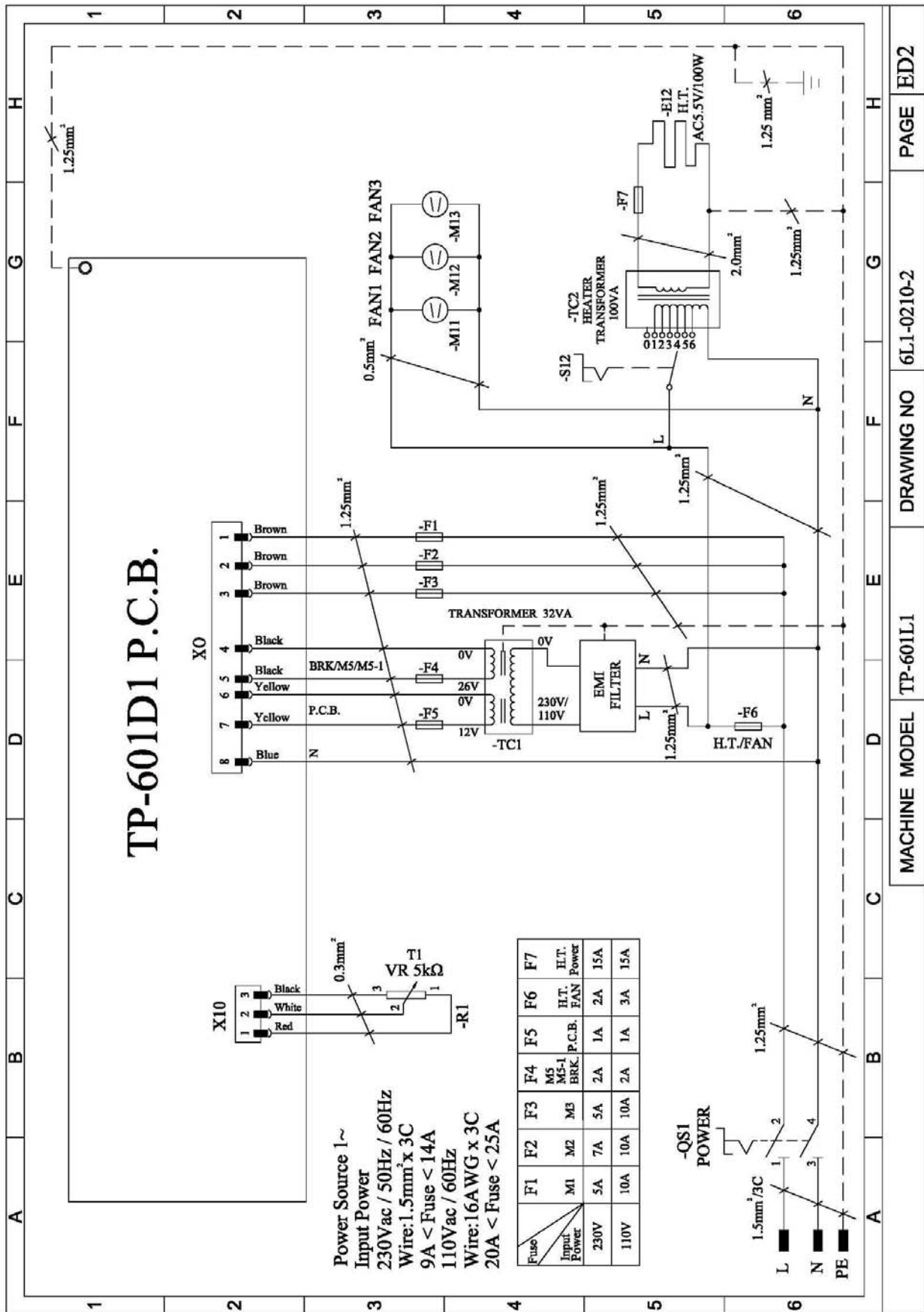
TP-601D3 P.C.B.

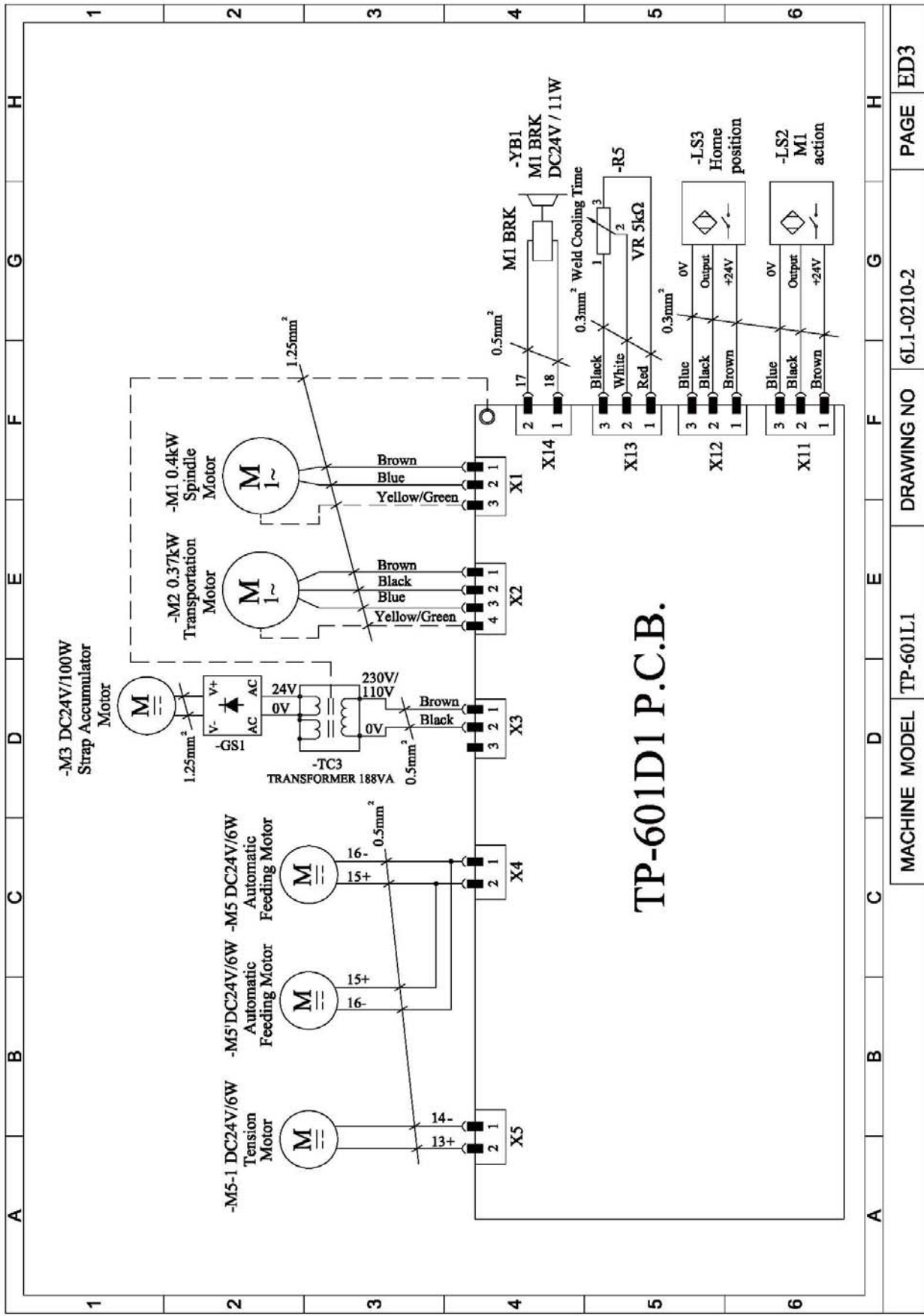


**TP-601D3 P.C.B.**

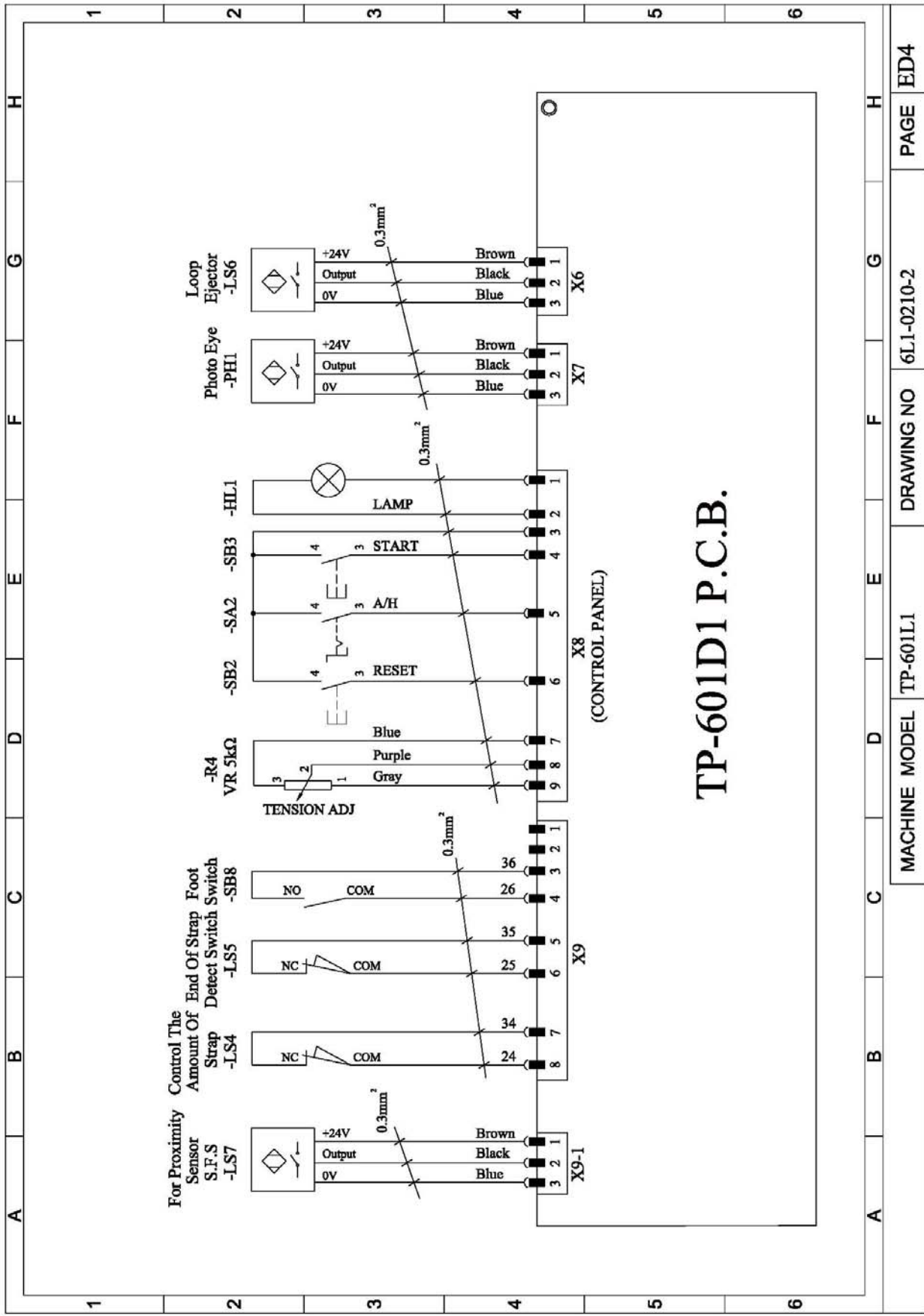


A	B	C	D	E	F	G	H	PAGE	ED1
								DRAWING NO	6L1-0210-2
								MACHINE MODEL	TP-601L1



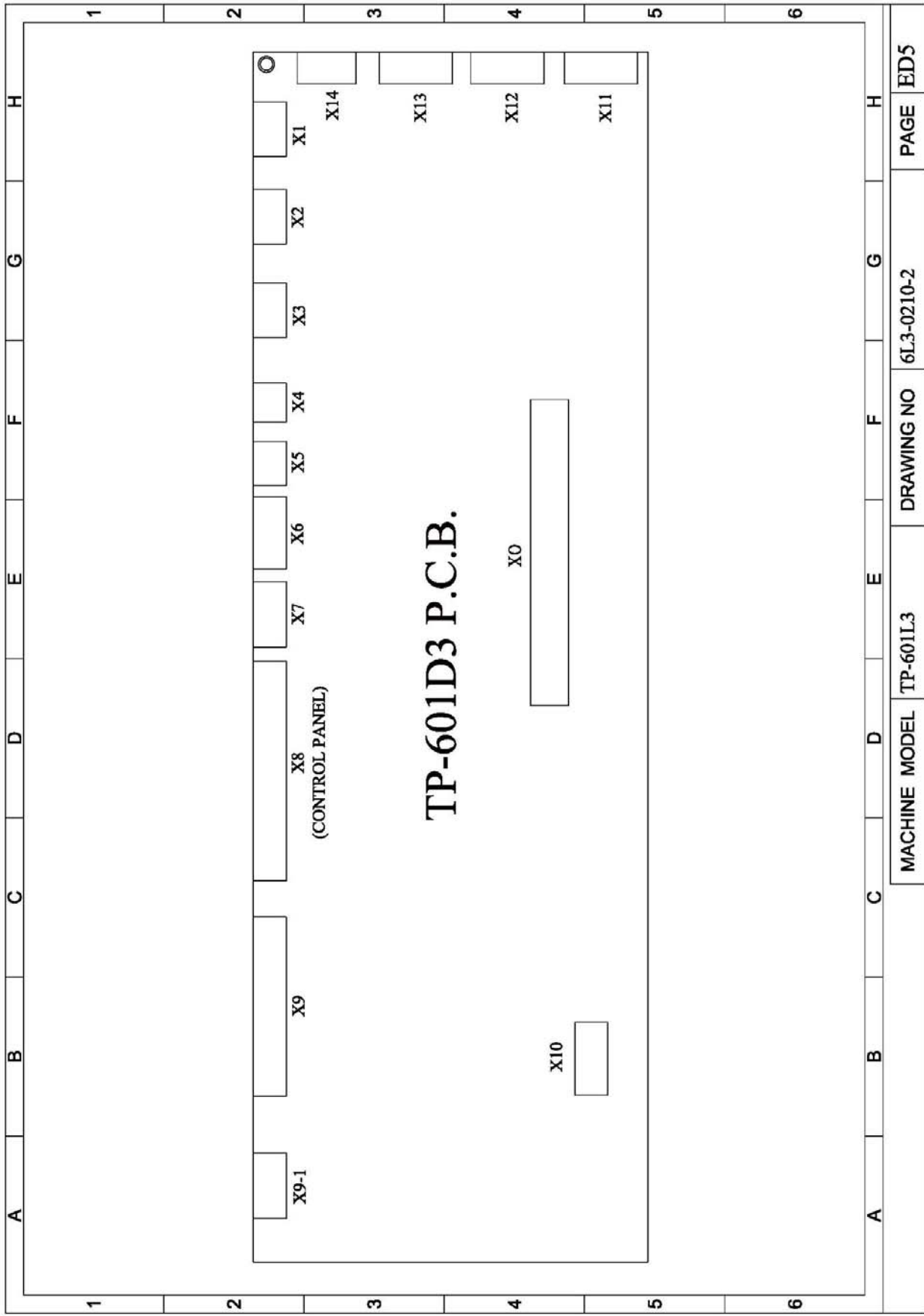


# TP-601D1 P.C.B.



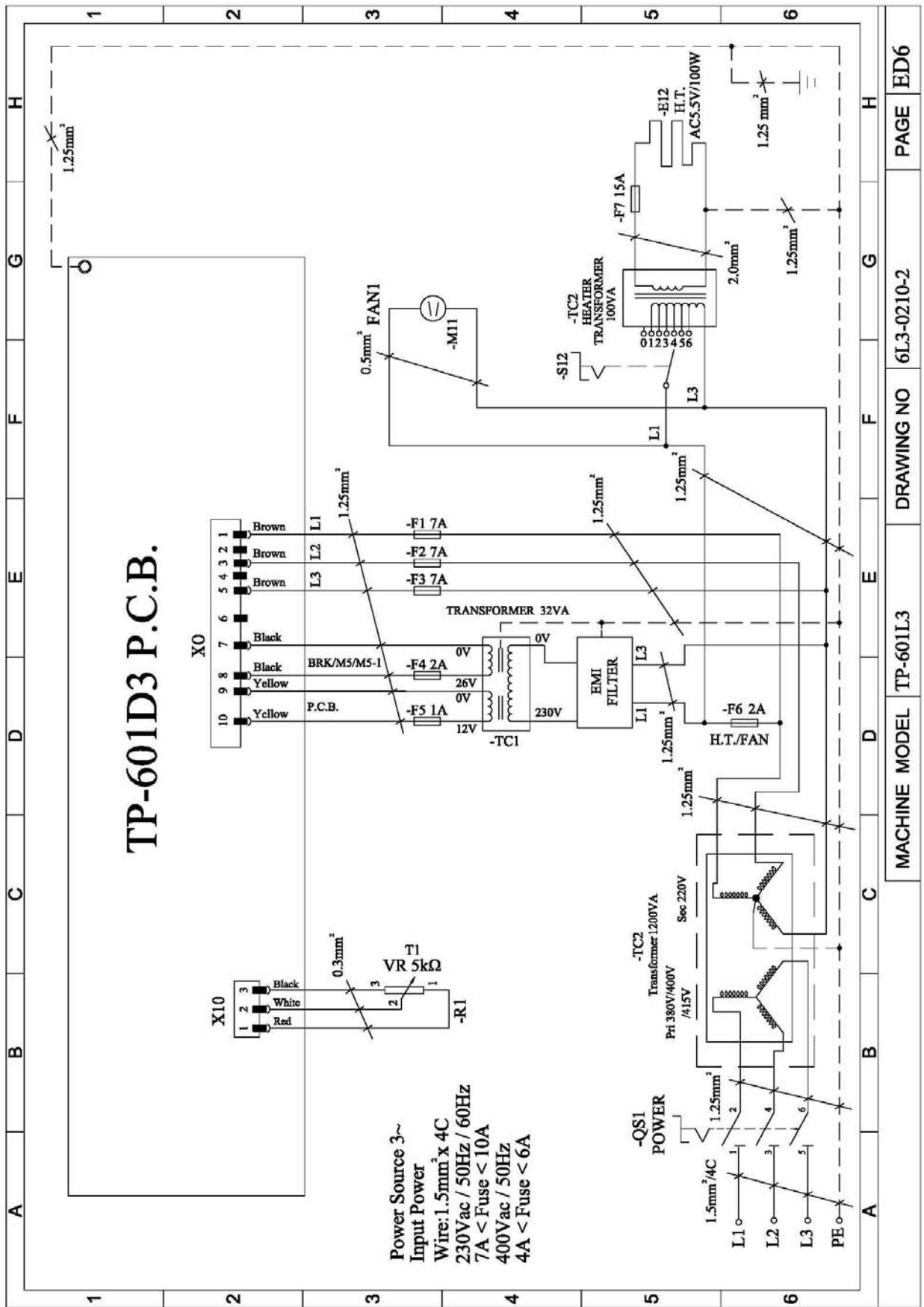
**TP-601D1 P.C.B.**

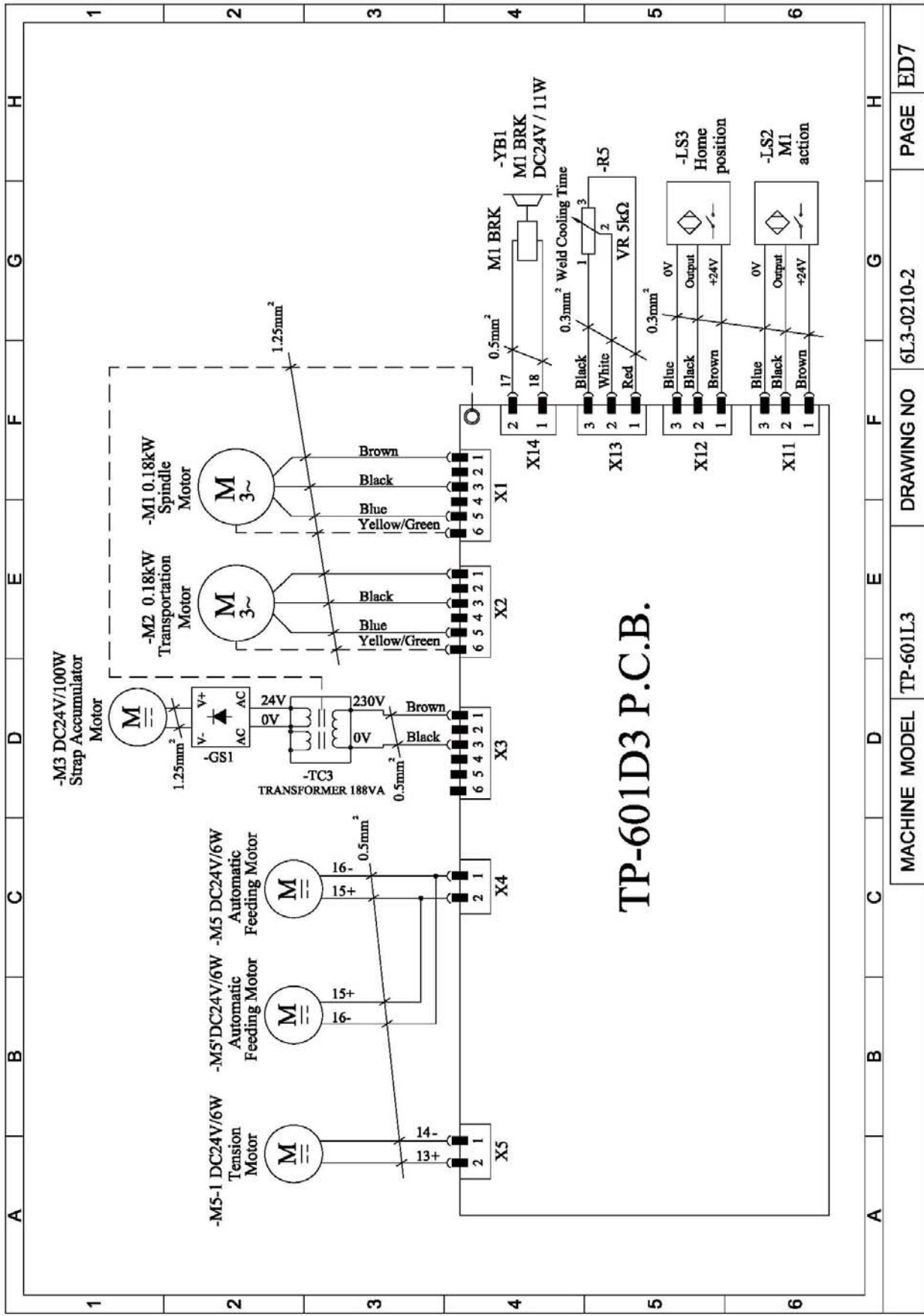




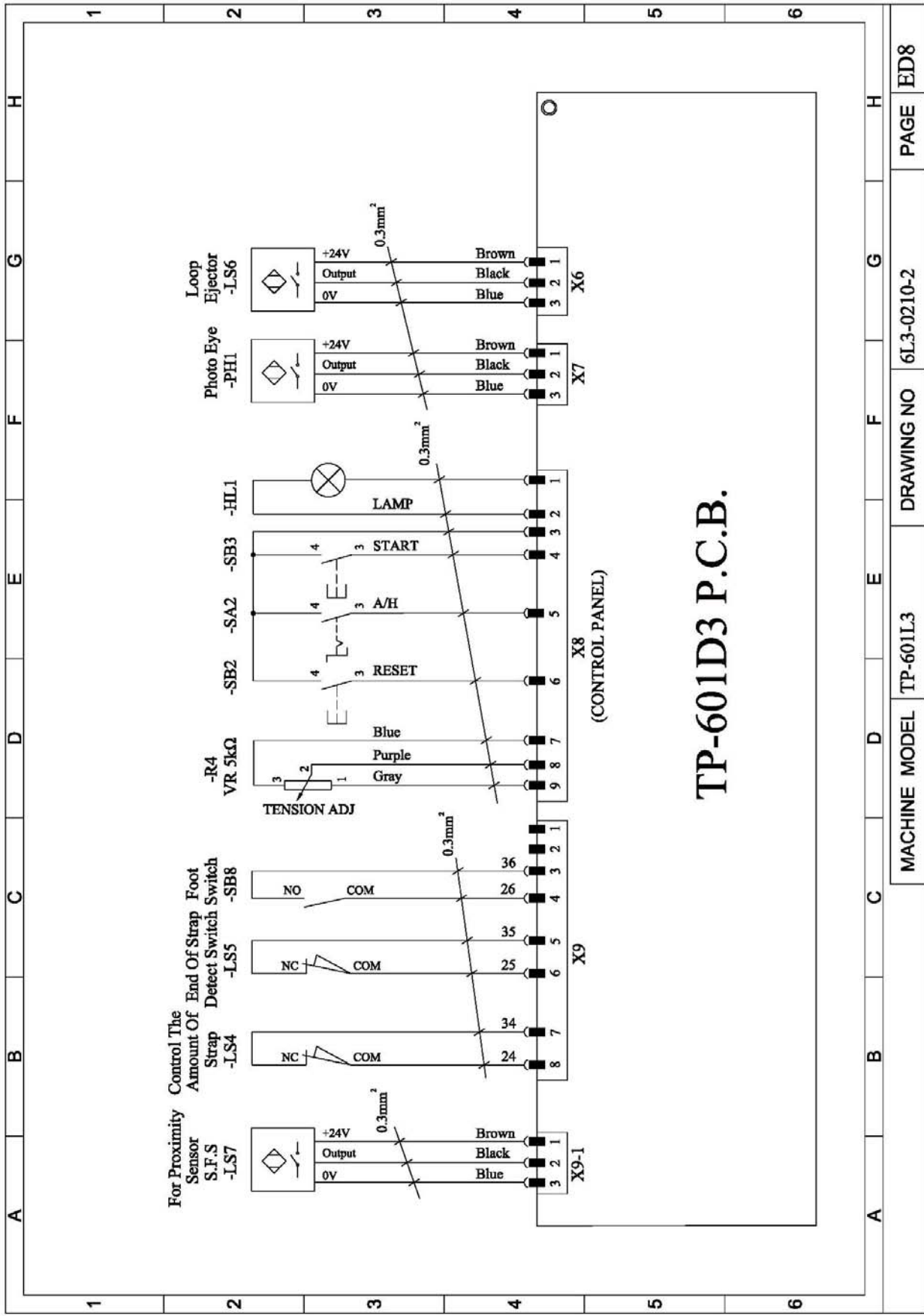
A	B	C	D	E	F	G	H
1	2	3	4	5	6		
MACHINE MODEL TP-601L3				DRAWING NO 6L3-0210-2		PAGE ED5	



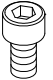






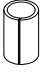
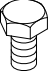
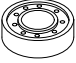

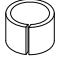







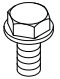


















A	B	C	D	E	F	G	H		
1	2	3	4	5	6	DRAWING NO	6L3-0210-2		
							PAGE	ED7	
MACHINE MODEL				TP-601L3					



TP-601D3 P.C.B.

shape	classification	shape	classification
	HBS		ER
	TMS		RR
	PMS		SR
	FMS		SP
	HB		BR
	THS		MB
	HSS		KYA
	CAP		KYB
	HN		KYC
	WN		HBW
	FLG		<b>PWA</b> φ 8x φ 12~ φ 16x0.8~1.2t φ 6x φ 13~ φ 14x0.8~1.2t
	NTE		<b>PWB</b> φ 8x φ 14~ φ 16x1.2~1.5t φ 6x φ 15~ φ 16x1.2~1.5t
	PN		<b>PWC</b> φ 8x φ 20~ φ 23x2.0t φ 6x φ 16~ φ 19x2.0t
	PW		PWD
	SW		DS
	TW		TTP
	BWW		FTP

# **PART II**

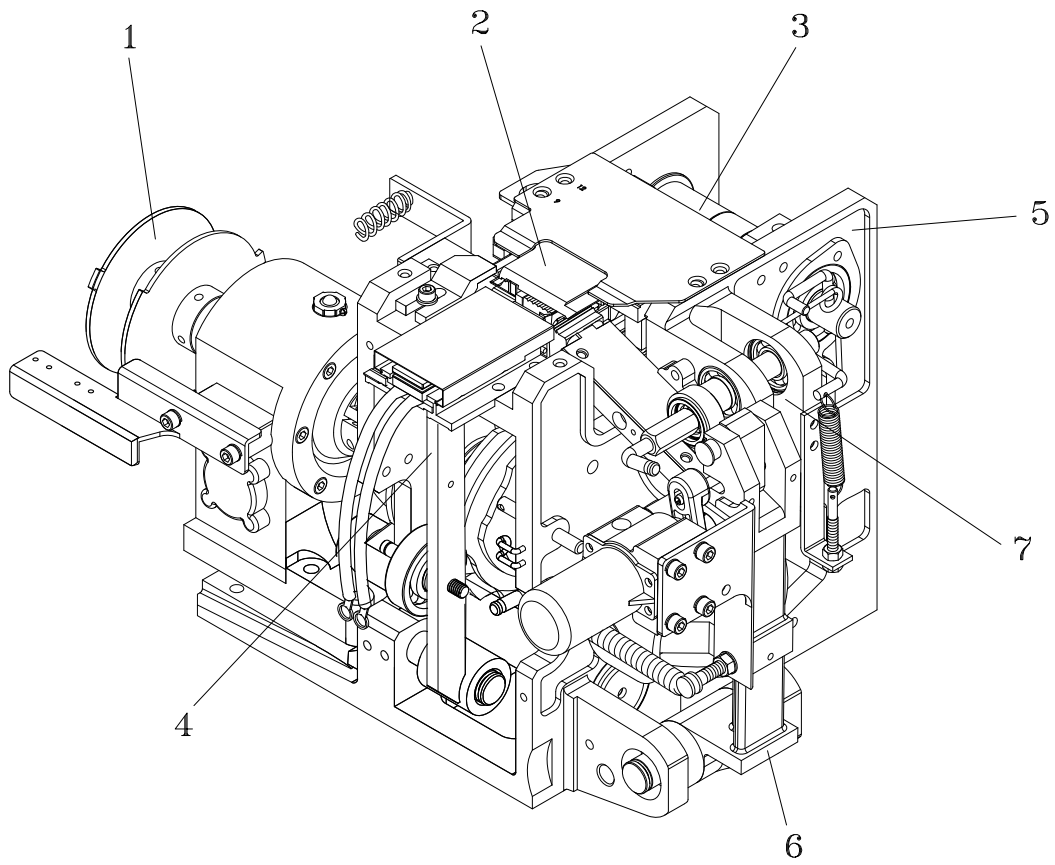
## **CONTENTS**

1. Strapping Head Unit .....	1
2. Bandway Unit .....	31
3. Accumulator Unit .....	45
4. Reel Unit .....	59
5. Body Frame Unit .....	70
6. Electric Control Group .....	98
7. Auto Strap Feeding Unit .....	109

1

# STRAPPING HEAD UNIT

T6-1-90051  
T6-1-90052

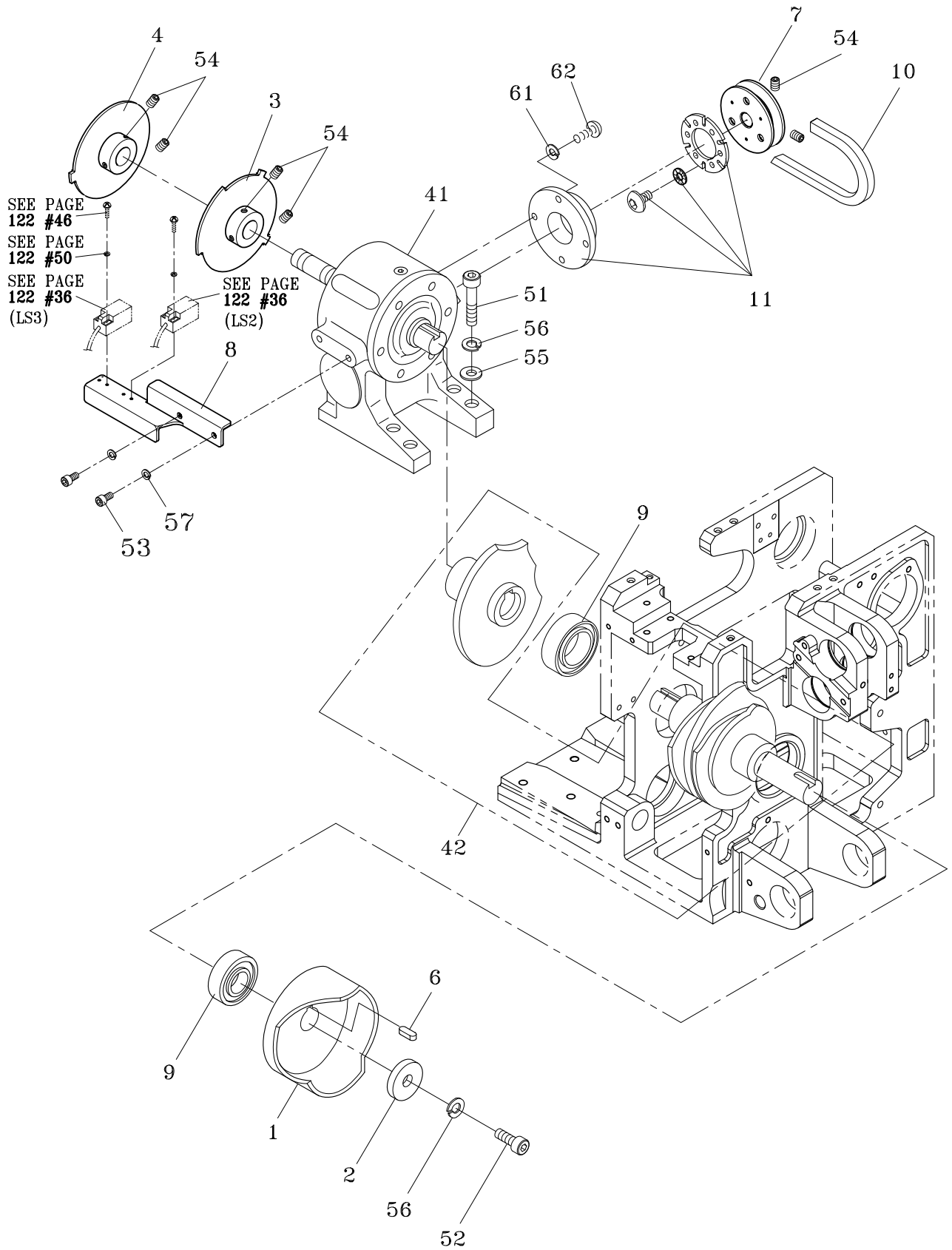


**1****STRAPPING HEAD UNIT****T6-1-90051****T6-1-90052**

REF. NO.	PART NO.	DESCRIPTION	Q'TY	REMARKS
	T6-1-90051	Strapping Head Unit (For TP-601D1, 12mm)	1	
	T6-1-90051S	Strapping Head Unit (For TP-601D1, 12mm)(Stainless Steel Model)	1	
	T6-1-90052	Strapping Head Unit (For TP-601D1, 9mm)	1	
	T6-1-90052S	Strapping Head Unit (For TP-601D1, 9mm)(Stainless Steel Model)	1	
	T6-1-90053	Strapping Head Unit (For TP-601D3, 12mm)	1	
	T6-1-90053S	Strapping Head Unit (For TP-601D3, 12mm)(Stainless Steel Model)	1	
	T6-1-90054	Strapping Head Unit (For TP-601D3, 9mm)	1	
	T6-1-90054S	Strapping Head Unit (For TP-601D3, 9mm)(Stainless Steel Model)	1	
	T6-1-90061	Strapping Head Unit (For TP-601L1, 12mm)	1	
	T6-1-90061S	Strapping Head Unit (For TP-601L1, 12mm)(Stainless Steel Model)	1	
	T6-1-90062	Strapping Head Unit (For TP-601L1, 9mm)	1	
	T6-1-90062S	Strapping Head Unit (For TP-601L1, 9mm)(Stainless Steel Model)	1	
	T6-1-90063	Strapping Head Unit (For TP-601L3, 12mm)	1	
	T6-1-90063S	Strapping Head Unit (For TP-601L3, 12mm)(Stainless Steel Model)	1	
	T6-1-90064	Strapping Head Unit (For TP-601L3, 9mm)	1	
	T6-1-90064S	Strapping Head Unit (For TP-601L3, 9mm)(Stainless Steel Model)	1	
1	T6-1-10003	Cam Group	1	SEE PAGE 4

REF. NO.	PART NO.	DESCRIPTION	Q'TY	REMARKS
2	T6-1-20020	Slide Table Group	1	SEE PAGE 7
	T6-1-20020S	Slide Table Group (Stainless Steel Model)	1	SEE PAGE 7
3	T6-1-30000	Press Group	1	SEE PAGE 11
	T6-1-30000S	Press Group (Stainless Steel Model)	1	SEE PAGE 11
4	T6-1-40000	Heater Group	1	SEE PAGE 16
5	T6-1-50031	Strapping Head Group (For TP-601D)	1	SEE PAGE 19
	T6-1-50032	Strapping Head Group (For TP-601L)	1	SEE PAGE 19
6	T6-1-60003	Tension Group	1	SEE PAGE 21
	T6-1-60003S	Tension Group (Stainless Steel)	1	SEE PAGE 21
7	T6-1-70002	Feed Group (For TP-601D1/TP-601L1, 12mm)	1	SEE PAGE 25
	T6-1-70002S	Feed Group (For TP-601D1/TP-601L1, 12mm)(Stainless Steel Model)	1	SEE PAGE 25
	T6-1-70003	Feed Group (For TP-601D1/TP-601L1, 9mm)	1	SEE PAGE 25
	T6-1-70003S	Feed Group (For TP-601D1/TP-601L1, 9mm)(Stainless Steel Model)	1	SEE PAGE 25
	T6-1-70004	Feed Group (For TP-601D3/TP-601L3, 12mm)	1	SEE PAGE 25
	T6-1-70004S	Feed Group (For TP-601D3/TP-601L3, 12mm)(Stainless Steel Model)	1	SEE PAGE 25
	T6-1-70005	Feed Group (For TP-601D3/TP-601L3, 9mm)	1	SEE PAGE 25
	T6-1-70005S	Feed Group (For TP-601D3/TP-601L3, 9mm)(Stainless Steel Model)	1	SEE PAGE 25



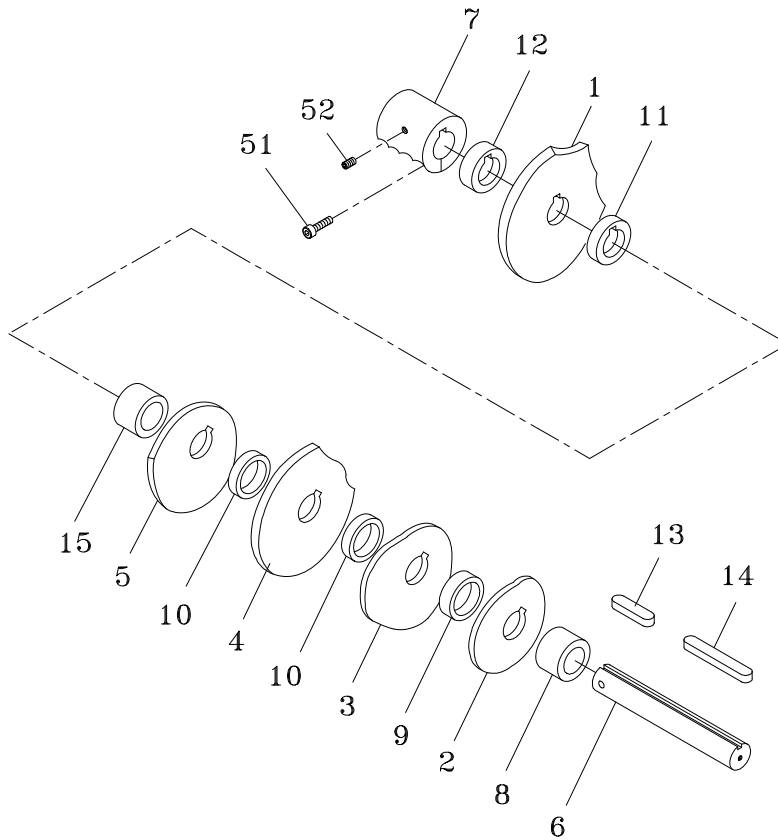


REF. NO.	PART NO.	DESCRIPTION	Q'TY	REMARKS
1	T6-1-10110	Tension Cam	1	
2	T6-1-10120	Cam Shaft End Plate	1	
3	T6-1-10131	Limit Switch Cam (LS2)	1	
4	T6-1-10142	Limit Switch Cam (LS3)	1	
6	KYA070720	Key, 7×7×20	2	
7	T6-1-10171	Gear Box Pulley	1	
8	T6-1-10181	Limit Switch Bracket	1	
9	BR6205ZZ	Bearing, 6205ZZ	2	
10	T6-1-10200	V-Belt (A26)	1	
11	T6-6-10180	Magnet Brake	1	
41	T6-1-11000	Gear Box	1	
42	T6-1-12000	Cam Ass'y	1	SEE PAGE 6
51	HBS0845H	HBS, M8×45 (H)	4	
52	HBS0825	HBS, M8×25	1	
53	HBS0612	HBS, M6×12	2	
54	HSS0610G	HSS, M6×10 (G)	6	
55	PW08B	PW, M8 (B)	4	
56	SW08	SW, M8	5	
57	SW06	SW, M6	2	
61	SW04	SW, M4	4	
62	PMS0408	PMS, M4×8	4	

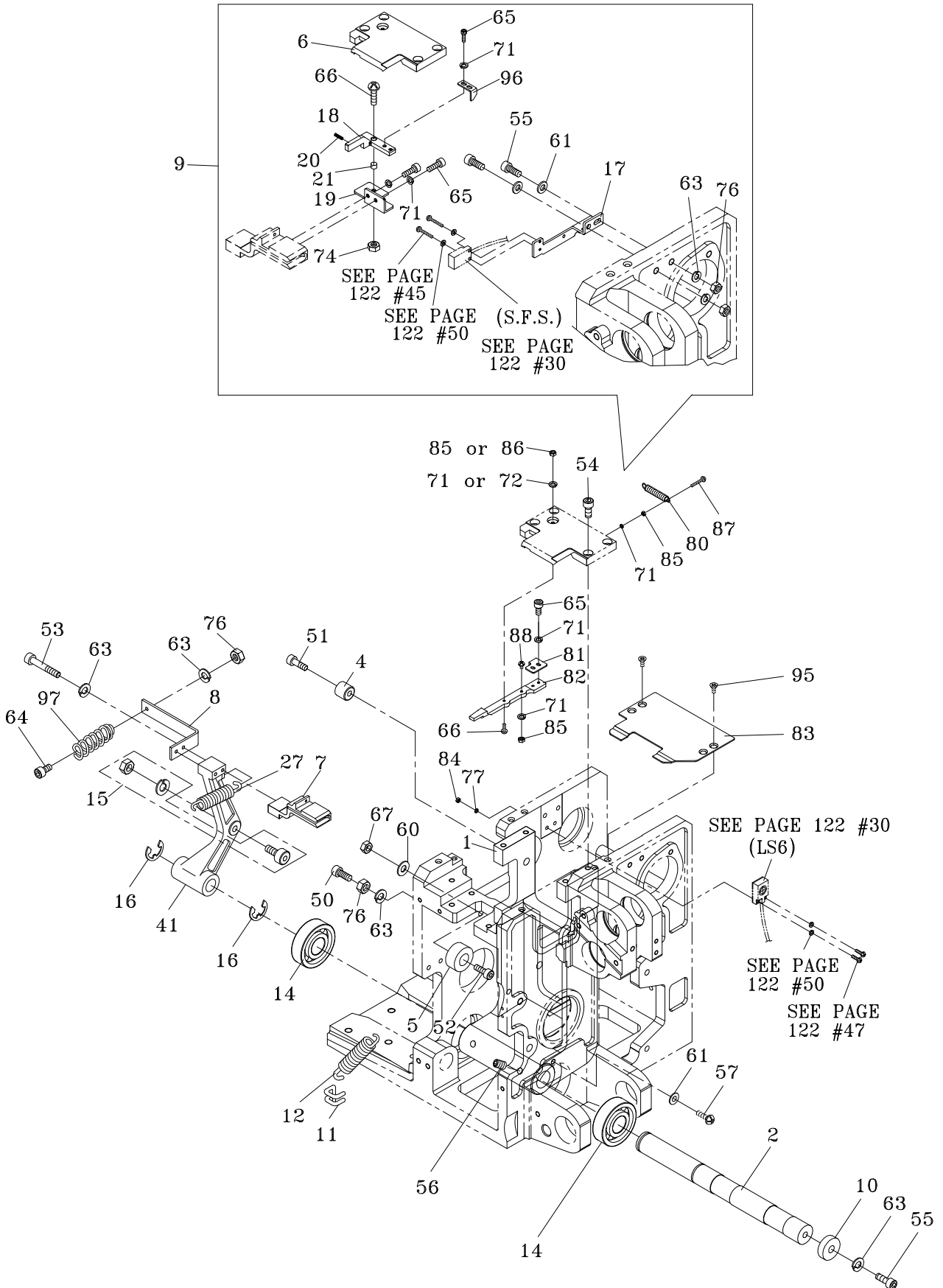
1-1-1

CAM ASS'Y

T6-1-12000



REF. NO.	PART NO.	DESCRIPTION	Q'TY	REMARKS
1	T6-1-12110	Slide Table Cam	1	
2	T6-1-12120	RH Press Cam	1	
3	T6-1-12130	Center Press Cam	1	
4	T6-1-12140	Heater Cam	1	
5	T6-1-12150	LH Press Cam	1	
6	T6-1-12160	Cam Shaft	1	
7	T6-1-12170	Cam Shaft Coupling	1	
8	T6-1-12180	Collar (27.8L)	1	
9	T6-1-12190	Collar (20L)	1	
10	T6-1-12210	Collar(8L)	2	
11	T6-1-12220	Collar (5.5L)	1	
12	T6-1-12230	Collar (14L)	1	
13	KYA070750	Key, 7×7×50	1	
14	KYA070790	Key, 7×7×90	1	
15	T6-1-12350	Collar (28.3L)	1	
51	HBS0620	HBS, M6×20	4	
52	HSS0810G	HSS, M8×10 (G)	1	



**1-2****SLIDE TABLE GROUP****T6-1-20020**

REF. NO.	PART NO.	DESCRIPTION	Q'TY	REMARKS
	T6-1-20020	Slide Table Group	1	
	T6-1-20020S	Slide Table Group (Stainless Steel Model)	1	
1	T6-1-20110	Slide Table Frame	1	
2	T6-1-20120	Slide Table Frame Shaft	1	
4	T6-1-20141	Slide Table Back Adjuster	1	
5	T6-1-20150	Slide Table Stopper	1	
6	T6-1-20163	Slide Table	1	
	T6-1-20163S1	Slide Table (Stainless Steel Model)	1	
7	T6-1-20170	Strap Guide	1	
8	T6-1-20180	Flap Connecting Spring Bracket	1	
9	T6-1-20198	S.F.S. Ass'y	1	
	T6-1-20198S	S.F.S. Ass'y (Stainless Steel Model)	1	
10	T6-1-30170	Press Arm End Plate	1	
11	T6-1-20220	Slide Table Spring Hook	1	
12	T6-1-20230	Slide Table Tension Spring	1	
14	BR6304ZZ	Bearing, 6304ZZ	2	
15	T6-1-20250	Cam Follower, KR22×LL	1	
16	ER15	Snap Ring, E-15	2	
17	T6-1-20311	Support	1	
18	T6-1-20323	Lever	1	
19	T6-1-20340	Bracket	1	
20	T6-1-20351	Spring	1	
21	T6-1-20450	Bushing	1	
27	T6-1-20372	Spring	1	
41	T6-1-21000	Strap Guide Arm Ass'y	1	SEE PAGE 10
50	HBS0630	HBS, M6×30	1	
51	HBS1025H	HBS, M10×25 (H)	1	
52	HBS0830	HBS, M8×30	1	
53	HBS0650H	HBS, M6×50 (H)	2	
54	HBS0620N	HBS, M6×20 (N)	4	
	HBS0620S	HBS, M6×20 (Stainless Steel Model)	4	
55	HBS0625	HBS, M6×25	3	
56	HSS0810G	HSS, M8×10 (G)	2	
57	TMS0610	TMS, M6×10	2	
60	PW08A	PW, M8 (A)	1	
61	PW06A	PW, M6 (A)	4	

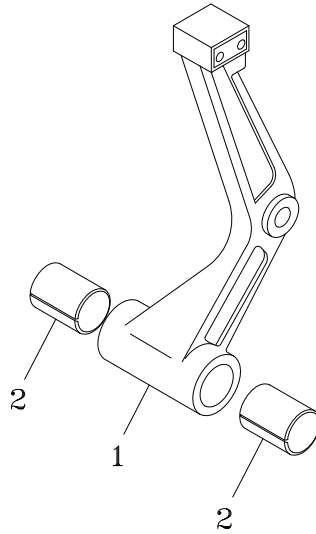
**1-2****SLIDE TABLE GROUP****T6-1-20020**

REF. NO.	PART NO.	DESCRIPTION	Q'TY	REMARKS
63	SW06	SW, M6	7	
64	HBS0616	HBS, M6×16	1	
65	HBS0408	HBS, M4×8	6	
66	TMS0412	TMS, M4×12	2	
67	HN08	HN, M8	1	
71	SW04	SW, M4	9	
72	SW04S	SW, M4 (Stainless Steel Model)	1	
74	NTE04	NTE, M4	1	
76	HN06	HN, M6	4	
77	SW03	SW, M3	2	
80	TA-071	Return Spring	1	
81	T6-1-20910	Sensor Plate	1	
82	T6-1-20920	Loop-eject Lever	1	
83	T6-1-20930	Loop-eject Plate	1	
	T6-1-20930S	Loop-eject Plate (Stainless Steel Model)	1	
84	HN03	HN, M3	2	
85	HN04	HN, M4	3	
86	HN04S	HN, M4 (Stainless Steel Model)	1	
87	PMS0416	PMS, M4×16	1	
88	PMS0412	PMS, M4×12	1	
95	FMS0508	FMS, M5×8	2	
	FMS0508S	FMS, M5×8 (Stainless Steel Model)	2	
96	T6-1-20840	Detector Plate	1	
97	T6-2-10130	LH Bandway Stop Spring	1	

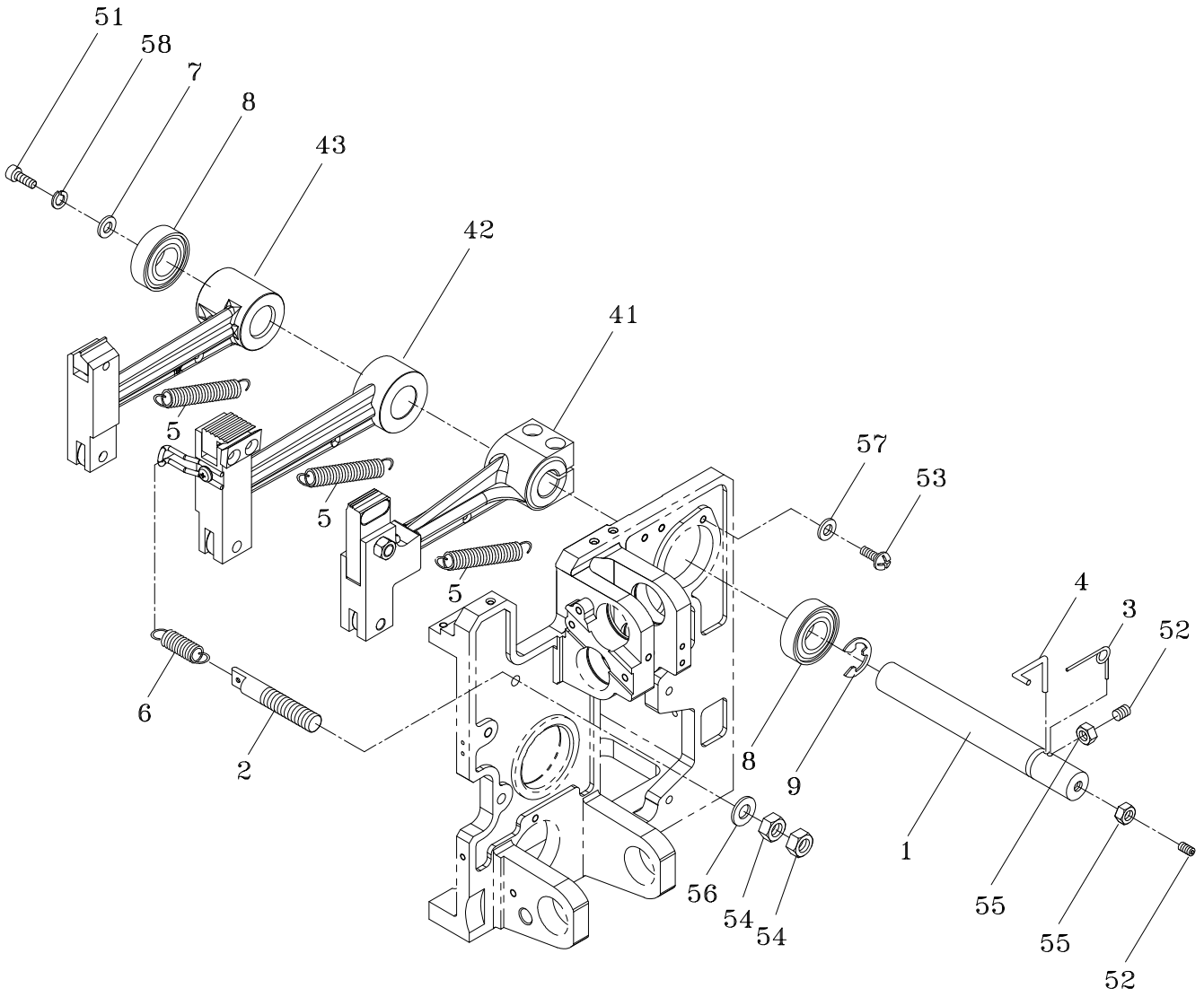
**1-2-1**

**STRAP GUIDE ARM ASS'Y**

**T6-1-21000**



REF. NO.	PART NO.	DESCRIPTION	Q'TY	REMARKS
1	T6-1-21110	Strap Guide Arm	1	
2	MB2025	Metal Bushing, 2025	2	



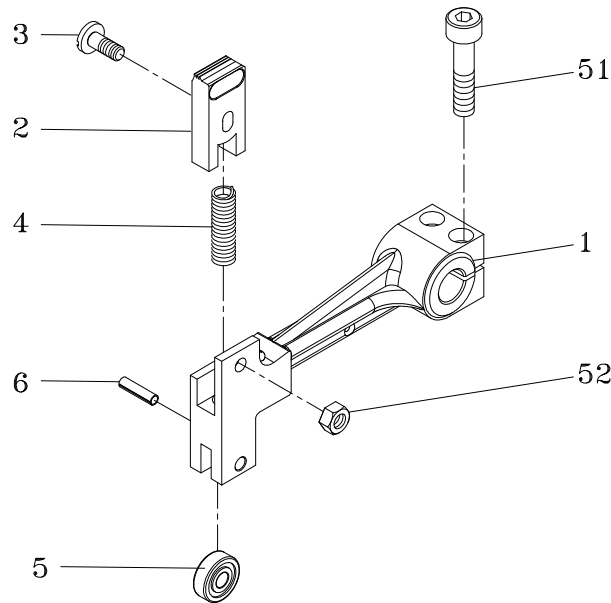


REF. NO.	PART NO.	DESCRIPTION	Q'TY	REMARKS
	T6-1-30000	Press Group	1	
	T6-1-30000S	Press Group (Stainless Steel Model)	1	
1	T6-1-30110	Press Arm Shaft	1	
2	T6-1-30120	Cutter Tension Spring Hook	1	
3	T6-1-30130	Upper Roller Spring	1	
4	T6-1-30140	Upper Shaft Spring Adjuster	1	
5	T6-1-30150	Press Tension Spring	3	
6	T6-1-30160	Cutter Tension Spring	1	
7	T6-1-30170	Press Arm End Plate	1	
8	BR6304ZZ	Bearing, 6304ZZ	2	
9	ER15	Snap Ring, E-15	1	
41	T6-1-31000	RH, Block Arm Ass'y	1	SEE PAGE 13
	T6-1-31000S	RH, Block Arm Ass'y (Stainless Steel Model)	1	SEE PAGE 13
42	T6-1-32000	Center Block Arm Ass'y	1	SEE PAGE 14
	T6-1-32000S	Center Block Arm Ass'y (Stainless Steel Model)	1	SEE PAGE 14
43	T6-1-33000	LH, Block Arm Ass'y	1	SEE PAGE 15
51	HBS0620	HBS, M6×20	1	
52	HSS0615G	HSS, M6×15 (G)	2	
53	TMS0610	TMS, M6×10	2	
54	HN08	HN, M8	2	
55	HN06	HN, M6	2	
56	PW08A	PW, M8 (A)	1	
57	PW06B	PW, M6 (B)	2	
58	SW06	SW, M6	1	

1-3-1

**RH, BLOCK ARM ASS'Y**

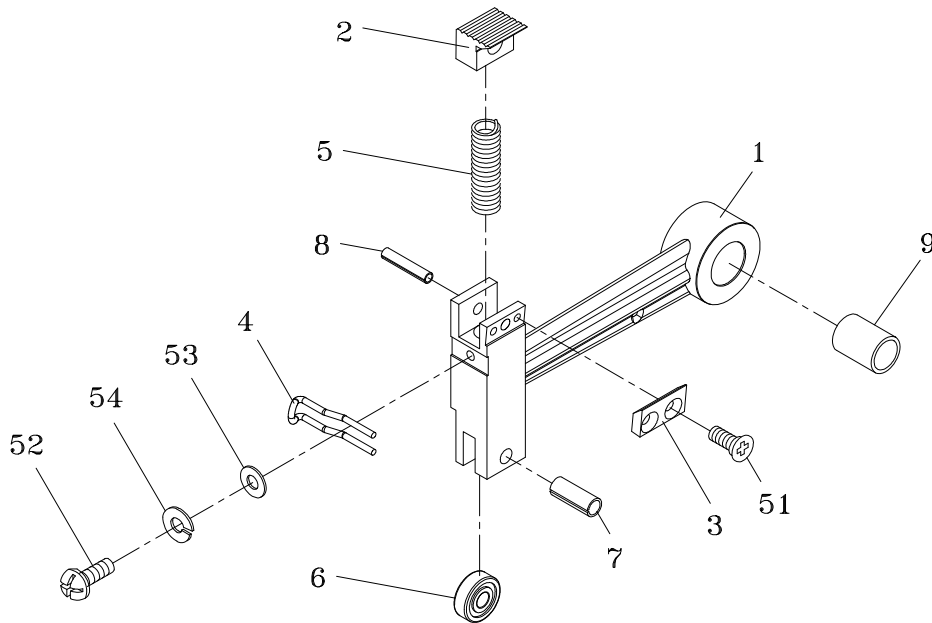
**T6-1-31000**



REF. NO.	PART NO.	DESCRIPTION	Q'TY	REMARKS
	T6-1-31000	RH, Block Arm Ass'y	1	
	T6-1-31000S	RH, Block Arm Ass'y (Stainless Steel Model)	1	
1	T6-1-31110	RH, Block Arm	1	
2	T6-1-31120	Upper Cutter	1	
	T6-1-31120S	Upper Cutter (Stainless Steel Model)	1	
3	T6-1-31130	Upper Cutter Pin	1	
4	T6-1-31140	RH, Block Spring	1	
5	BR628ZZ	Bearing, 628ZZ	1	
6	SP0824	Spring Pin, 8×24	1	
51	HBS0835H	HBS, M8×35(H)	2	
52	HN10	HN, M10	1	

**1-3-2**

**CENTER BLOCK ARM ASS'Y T6-1-32000**

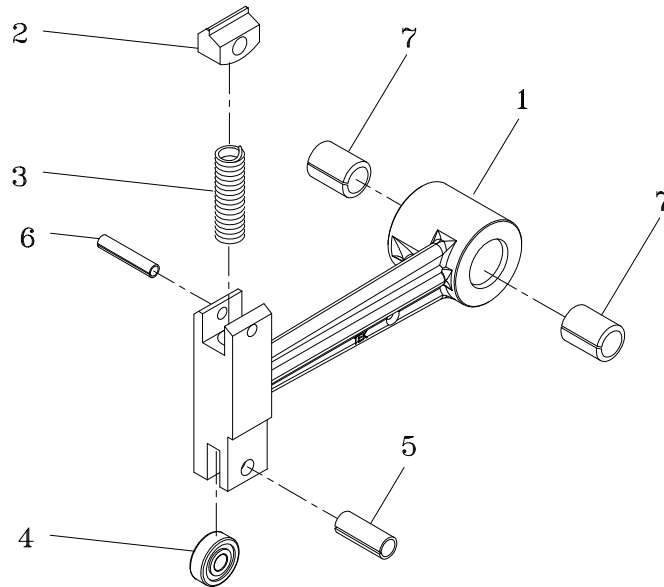


REF. NO.	PART NO.	DESCRIPTION	Q'TY	REMARKS
	T6-1-32000	Center Block Arm Ass'y	1	
	T6-1-32000S	Center Block Arm Ass'y (Stainless Steel Model)	1	
1	T6-1-32110	Center Block Arm	1	
2	T6-1-32120	Universal Press	1	
	T6-1-32120S	Universal Press (Stainless Steel Model)	1	
3	T6-1-32130	Lower Cutter	1	
	T6-1-32130S	Lower Cutter (Stainless Steel Model)	1	
4	T6-1-32140	Cutter Spring Hook	1	
5	T6-1-32150	LH & Center Block Spring	1	
6	BR628ZZ	Bearing, 628ZZ	1	
7	SP0820	Spring Pin, 8×20	1	
8	SP0622	Spring Pin, 6×22	1	
9	MB2025	Metal Bushing, 2025	1	
51	FMS0510S	FMS, M5×10 (SUS)	2	
52	PMS0610	PMS, M6×10	1	
53	PW06A	PW, M6 (A)	1	
54	SW06	SW, M6	1	

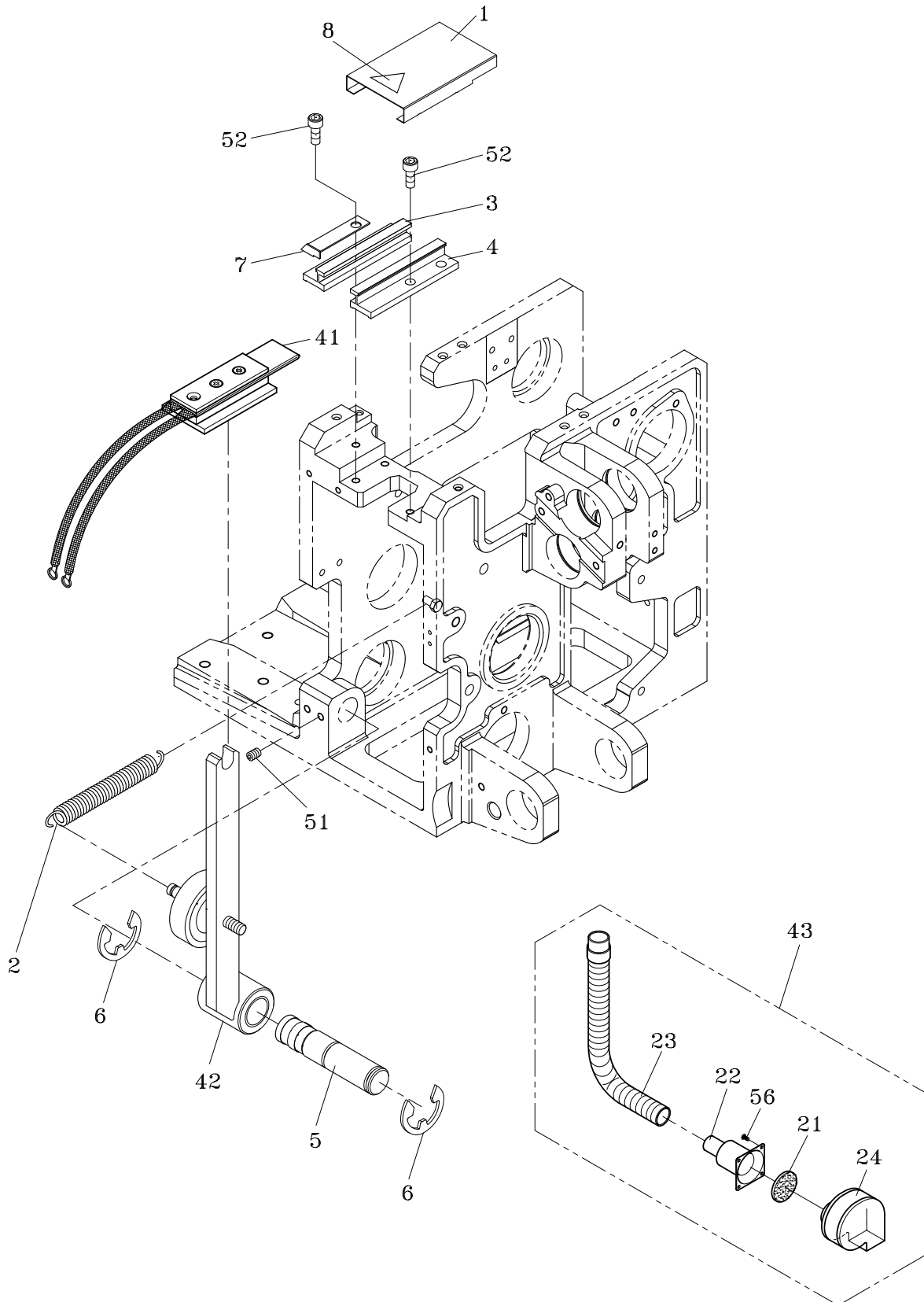
1-3-3

LH, BLOCK ARM ASS'Y

T6-1-33000

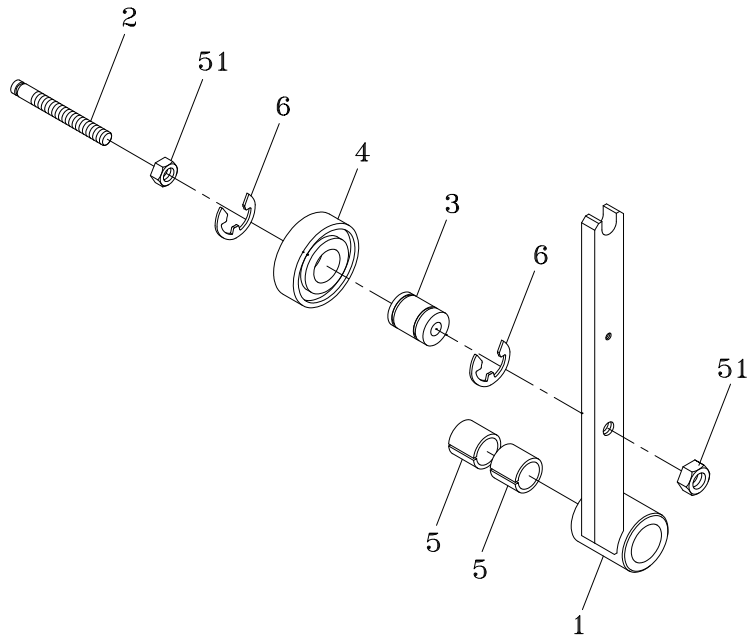


REF. NO.	PART NO.	DESCRIPTION	Q'TY	REMARKS
1	T6-1-33110	LH, Block Arm	1	
2	T6-1-33120	Jaw Left	1	
3	T6-1-32150	LH & Center Block Spring	1	
4	BR628ZZ	Bearing, 628ZZ	1	
5	SP0820	Spring Pin, 8x20	1	
6	SP0622	Spring Pin, 6x22	1	
7	MB2020	Metal Bushing, 2020	2	

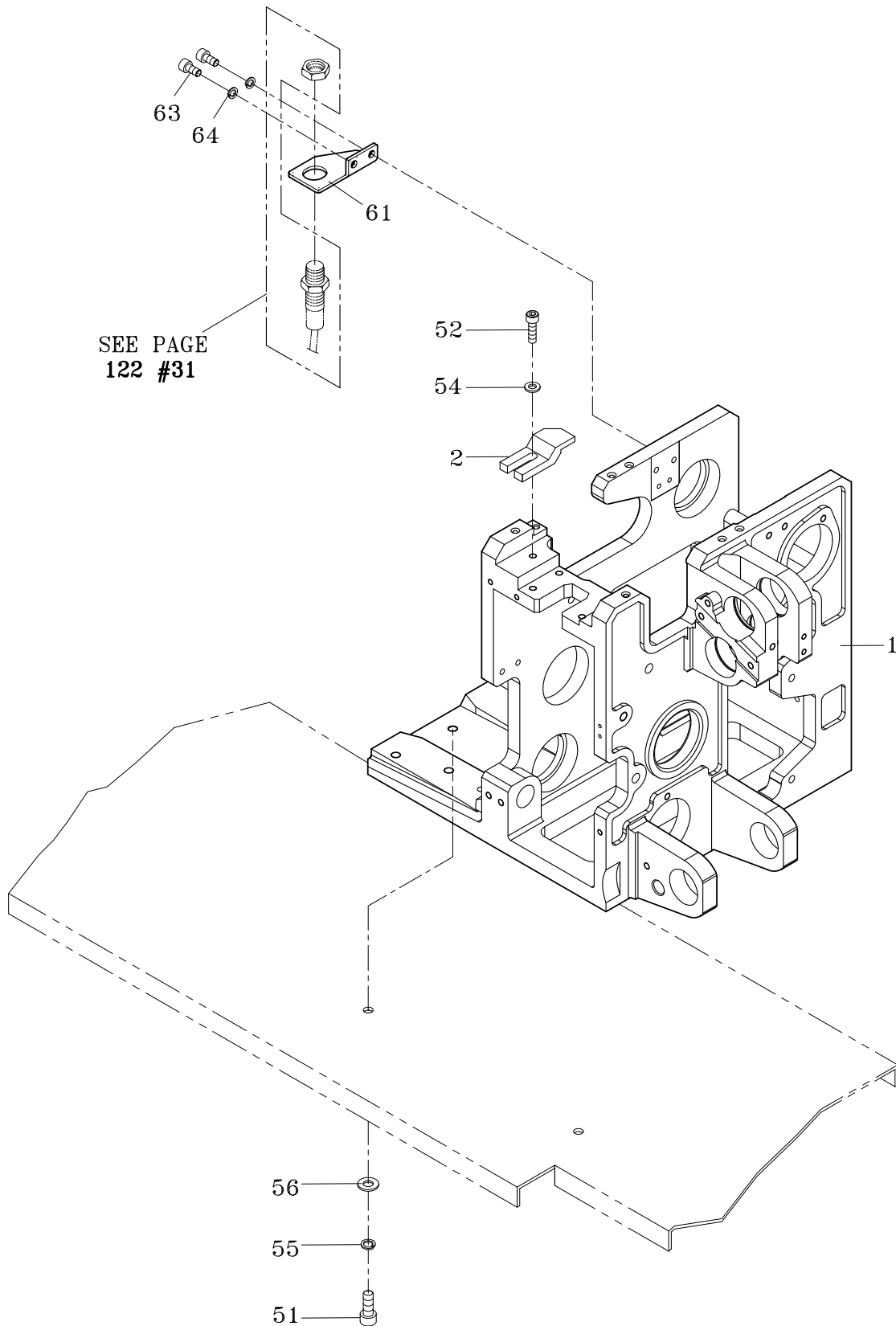


**1-4****HEATER GROUP****T6-1-40000**

REF. NO.	PART NO.	DESCRIPTION	Q'TY	REMARKS
1	T6-1-40110	Heater Cover	1	
2	T6-1-40120	Heater Crank Spring	1	
3	T6-1-40130	Heater Slider Guide (L)	1	
4	T6-1-40140	Heater Slider Guide (R)	1	
5	T6-1-40150	Heater Crank Shaft	1	
6	ER15	Snap Ring, E-15	2	
7	T6-1-40170	Heater Stopper	1	
8	LA-40002	Label	1	
21	T6-6-10920	Activated Carbon Filter (Option)	1	
22	T6-6-10930	Nipple (Option)	1	
23	T6-6-10940	Smoke-Exhaustion Pipe (Option)	1	
24	T6-6-10970	Fan (For Smoke)(Option)	1	
41	T6-1-41000	Heater Ass'y	1	
42	T6-1-42000	Heater Crank Ass'y	1	SEE PAGE 18
43	T6-1-43000	Smoke-exhaustion system, with activaed carbon filter. (Option)	1	
	T6-1-43001	Smoke-exhaustion system, without activated carbon filter. (Option)	1	
51	HSS0610G	HSS, M6×10 (G)	2	
52	HBS0616	HBS, M6×16	4	
56	TMS0408	TMS, M4×8	4	



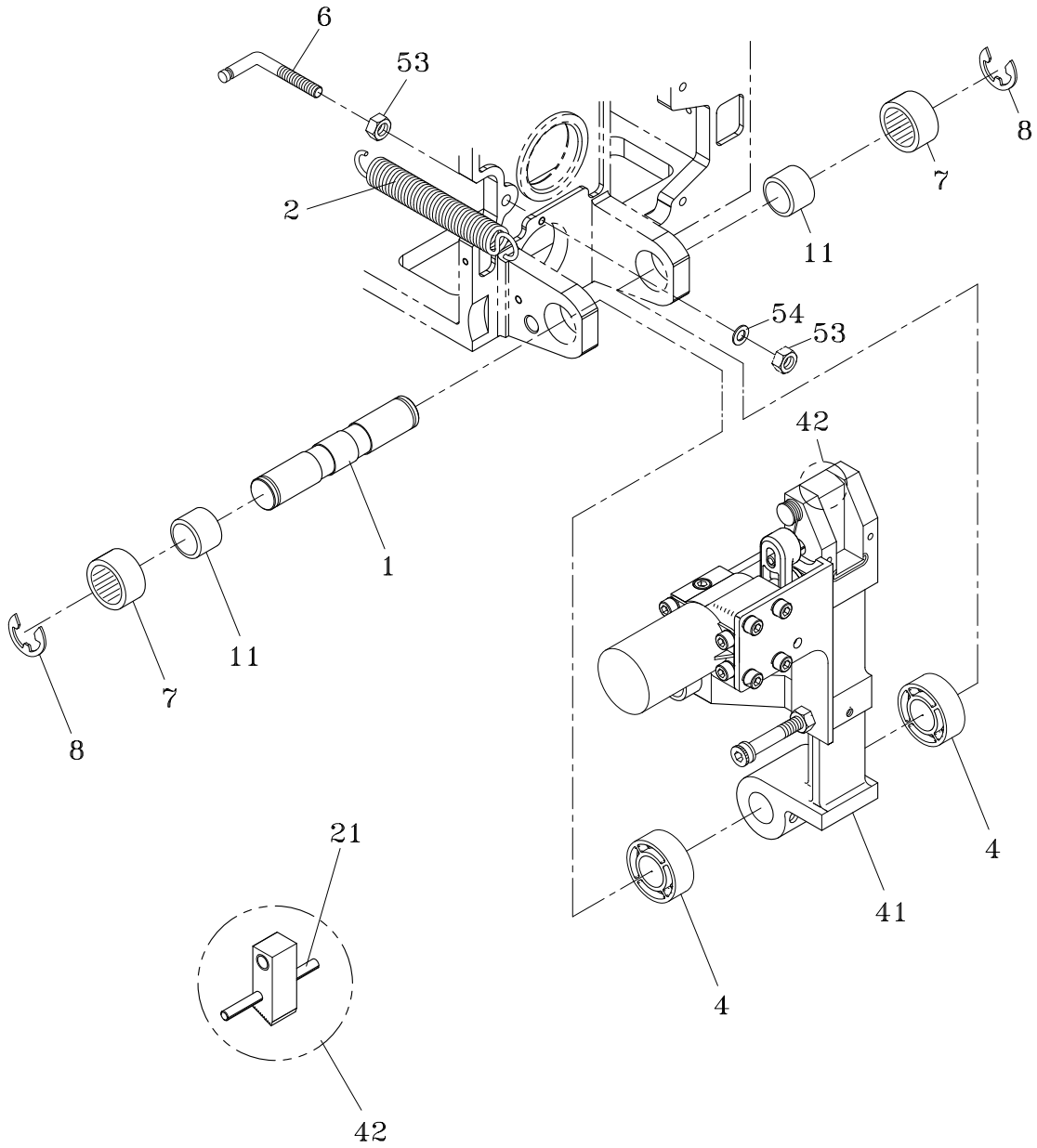
REF. NO.	PART NO.	DESCRIPTION	Q'TY	REMARKS
1	T6-1-42110	Heater Crank	1	
2	T6-1-42120	Heater Bearing Shaft	1	
3	T6-1-42130	Heater Crank Collar	1	
4	BR6304ZZ	Bearing, 6304ZZ	1	
5	MB2015	Metal Bushing, 2015	2	
6	ER15	Snap Ring, E-15	2	
51	HN08	HN, M8	2	





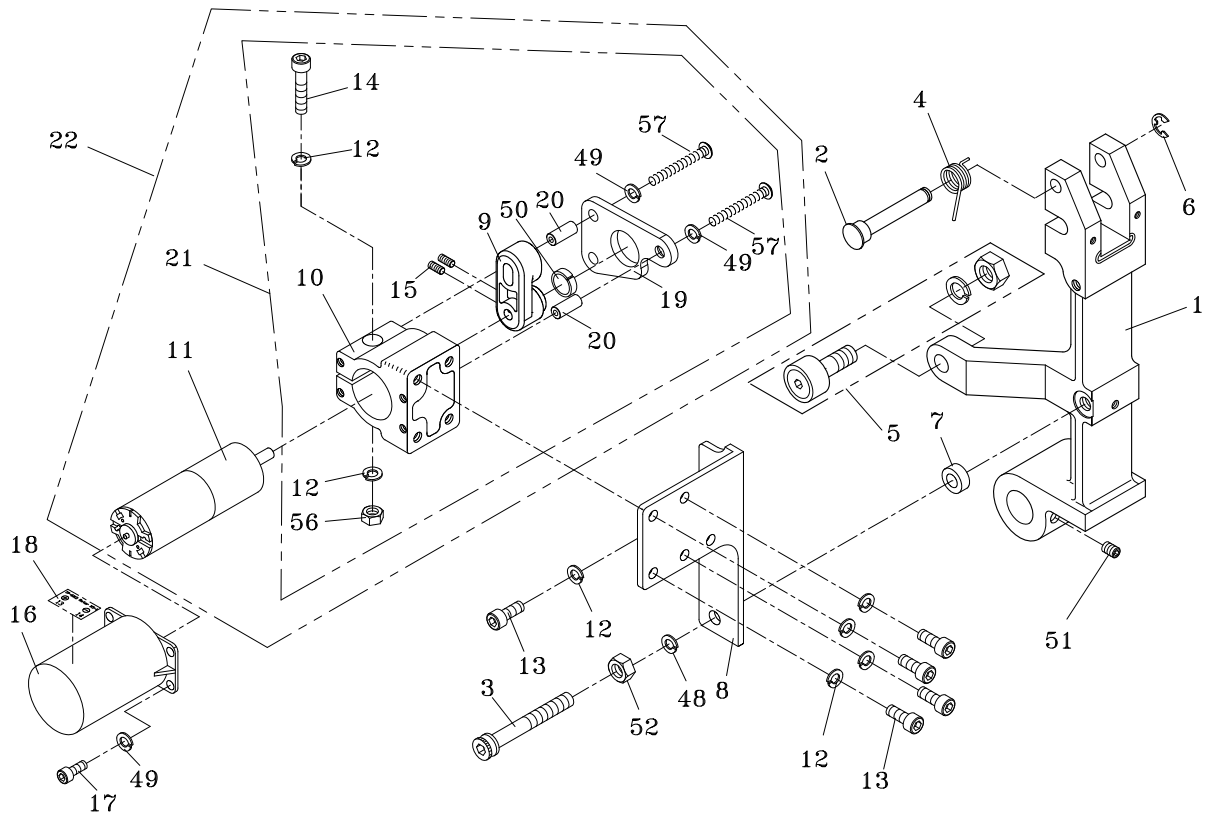
**1-5****STRAPPING HEAD GROUP****T6-1-50031****T6-1-50032**

REF. NO.	PART NO.	DESCRIPTION	Q'TY	REMARKS
1	T6-1-50031	Strapping Head Group (For TP-601D)	1	
	T6-1-50032	Strapping Head Group (For TP-601L)	1	
	T6-1-50100	Strapping Head Frame	1	
	T6-1-50111	Band Width Block	1	
51	HBS0820	HBS, M8×20 (For TP-601D)	4	
	HBS0825	HBS, M8×25 (For TP-601L)	4	
52	HBS0620	HBS, M6×20	1	
54	PW06B	PW, M6 (B)	1	
55	SW08	SW, M8	4	
56	PW08C	PW, M8 (C)	4	
61	T6-1-50660	Bracket	1	
63	HBS0612	HBS, M6×12	2	
64	SW06	SW, M6	2	



**1-6****TENSION GROUP****T6-1-60003**

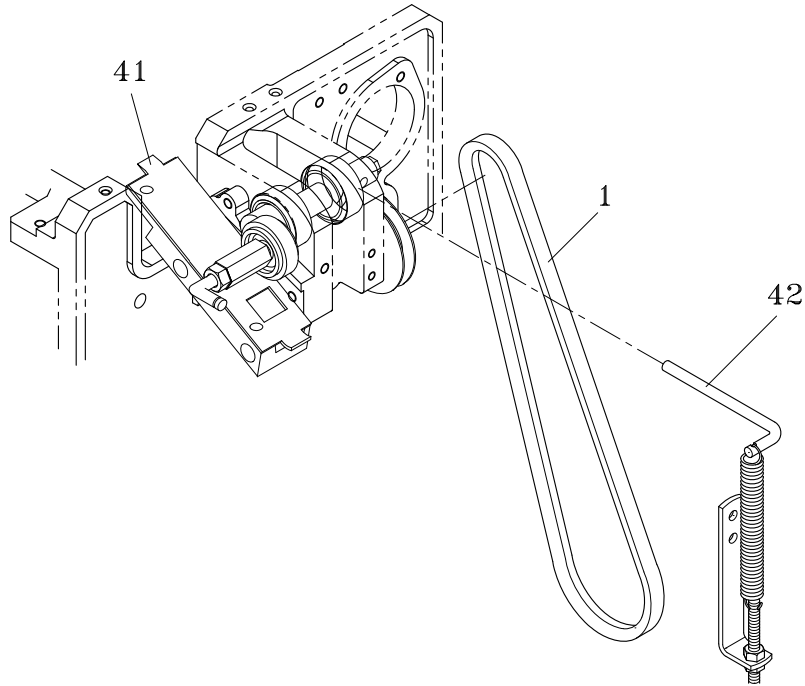
REF. NO.	PART NO.	DESCRIPTION	Q'TY	REMARKS
	T6-1-60003	Tension Group	1	
	T6-1-60003S	Tension Group (Stainless Steel Model)	1	
1	T6-1-60111	Tension Arm Shaft	1	
2	T6-1-60120	Tension Arm Spring	1	
4	T6-1-60140	Tension Arm Spacer	2	
6	T6-1-60160	Tension Arm Spring Hook L-Type	1	
7	BRHK2516	Bearing, HK2516	2	
8	ER15	Snap Ring, E-15	2	
11	BRIR202517	Bearing, IR202517	2	
21	SP0680	Spring Pin, 6×80	1	
41	T6-1-61001	Tension Arm Ass'y	1	SEE PAGE 23
42	T6-1-62000	Tension Jaw Ass'y	1	
	T6-1-62000S	Tension Jaw Ass'y (Stainless Steel Model)	1	
53	HN08	HN, M8	2	
54	PW08B	PW, M8 (B)	1	



REF. NO.	PART NO.	DESCRIPTION	Q'TY	REMARKS
1	T6-1-61110	Tension Arm	1	
2	T6-1-61120	Tension Jaw Shaft	1	
3	T6-1-61130	Tension Arm Spring Hook I-Type	1	
4	T6-1-61140	Tension Jaw Spring	1	
5	T6-1-20250	Cam Follower, KR22×LL	1	
6	ER06	Snap Ring, E-6	1	
7	T6-1-61170	Spacer	1	
8	T6-1-61180	Support	1	
9	T6-1-61190	Lever	1	
10	T6-1-61200	Bracket	1	
11	T6-1-61211	Motor (M5-1)	1	
12	SW06	SW, M6	9	
13	HBS0616	HBS, M6×16	5	
14	HBS0630	HBS, M6×30	1	
15	HSS0508G	HSS, M5×8 (G)	2	
16	T6-1-61260	Cover	1	
17	HBS0510	HBS, M5×10	4	
18	LA-50056	Label	1	

**1-6-1****TENSION ARM ASS'Y****T6-1-61001**

REF. NO.	PART NO.	DESCRIPTION	Q'TY	REMARKS
19	T6-1-61290	Support Plate	1	
20	T6-1-61300	Collar	3	
21	T6-1-61100	Bracket Set	1	
22	T6-1-61101	Motor (M5-1) Set	1	
48	SW08	SW, M8	1	
49	SW05	SW, M5	7	
50	MB1504	Metal Bushing, 1504	1	
51	HSS0810G	HSS, M8×10 (G)	2	
52	HN08	HN, M8	1	
56	HN06	HN, M6	1	
57	THS0540	THS, M5×40	3	



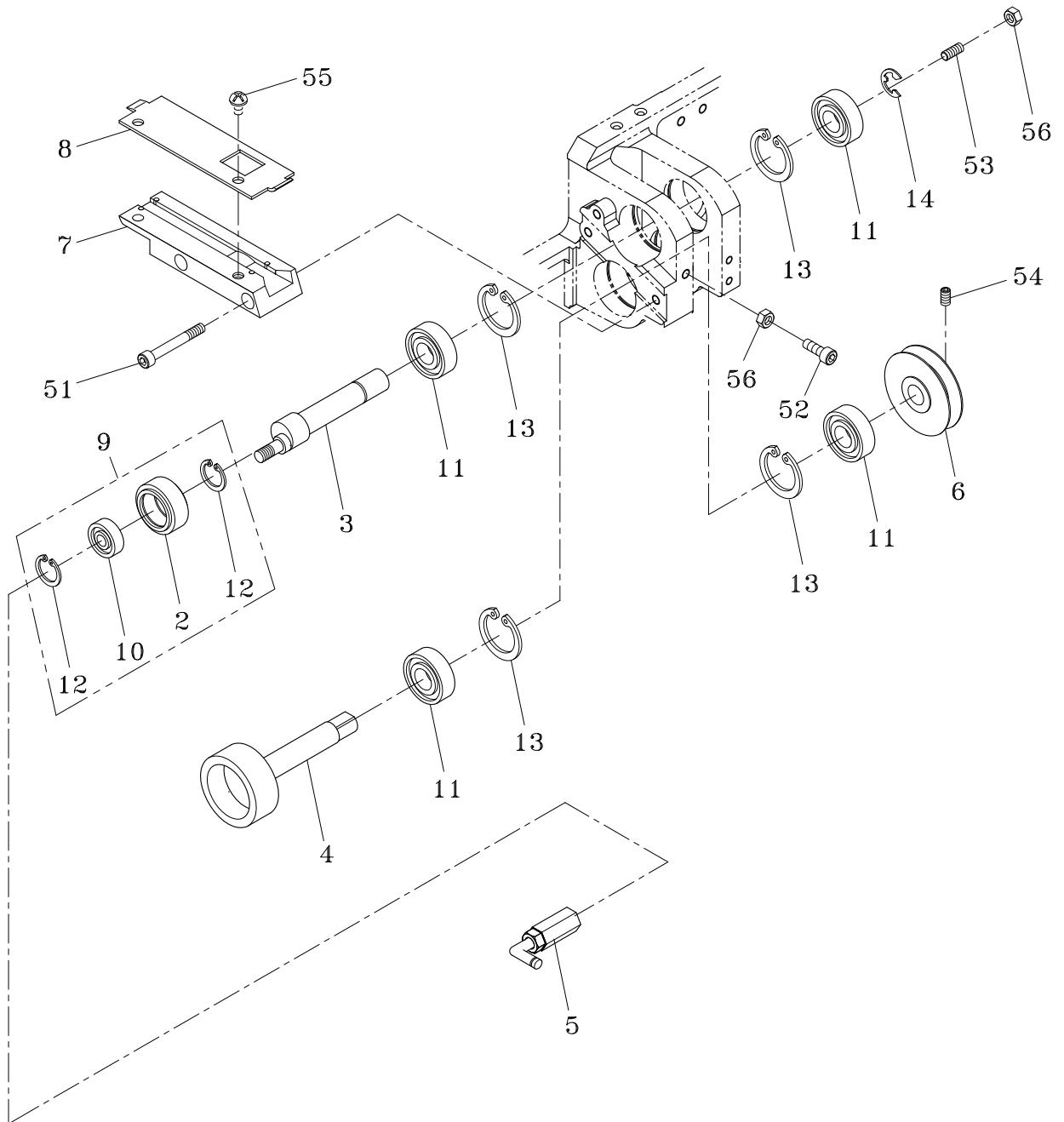
REF. NO.	PART NO.	DESCRIPTION	Q'TY	REMARKS
	T6-1-70002	Feed Group (For TP-601D1/TP-601L1, 12mm)	1	
	T6-1-70002S	Feed Group (For TP-601D1/TP-601L1, 12mm)(Stainless Steel Model)	1	
	T6-1-70003	Feed Group (For TP-601D1/TP-601L1, 9mm)	1	
	T6-1-70003S	Feed Group (For TP-601D1/TP-601L1, 9mm)(Stainless Steel Model)	1	
	T6-1-70004	Feed Group (For TP-601D3/TP-601L3, 12mm)	1	
	T6-1-70004S	Feed Group (For TP-601D3/TP-601L3, 12mm)(Stainless Steel Model)	1	
	T6-1-70005	Feed Group (For TP-601D3/TP-601L3, 9mm)	1	
	T6-1-70005S	Feed Group (For TP-601D3/TP-601L3, 9mm)(Stainless Steel Model)	1	

REF. NO.	PART NO.	DESCRIPTION	Q'TY	REMARKS
1	T6-1-70111	V-Belt M-22 (For TP-601D1/TP-601L1)	1	
	T6-1-70112	V-Belt M-23 (For TP-601D3/TP-601L3)	1	
41	T6-1-71002	Feed Ass'y (For 12mm)	1	SEE PAGE 27
	T6-1-71002S	Feed Ass'y (For 12mm)(Stainless Steel Model)	1	SEE PAGE 27
	T6-1-71003	Feed Ass'y (For 9mm)	1	SEE PAGE 27
	T6-1-71003S	Feed Ass'y (For 9mm)(Stainless Steel Model)	1	SEE PAGE 27
42	T6-1-72000	Upper Adjusting Weight Ass'y (For TP-601D)	1	SEE PAGE 30
	T6-1-72030	Upper Adjusting Weight Ass'y (For TP-601L)	1	SEE PAGE 30

1-7-1

FEED ASS'Y

T6-1-71002  
T6-1-71003





**1-7-1****FEED ASS'Y****T6-1-71002****T6-1-71003**

REF. NO.	PART NO.	DESCRIPTION	Q'TY	REMARKS
	T6-1-71002	Feed Ass'y (For 12mm)	1	
	T6-1-71002S	Feed Ass'y (For 12mm)(Stainless Steel Model)	1	
	T6-1-71003	Feed Ass'y (For 9mm)	1	
	T6-1-71003S	Feed Ass'y (For 9mm)(Stainless Steel Model)	1	
2	T6-1-71123	Upper Feed Roller (For 12mm)	1	
	T6-1-71124	Upper Feed Roller (For 9mm)	1	
3	T6-1-71130	Upper Feed Roller Shaft	1	
4	T6-1-71140	Feed Roller	1	
	T6-1-71140S	Feed Roller (Stainless Steel Model)	1	
5	T6-1-71150	Lever Holder	1	
6	T6-1-71160	Feed Roller Pulley	1	
7	T6-1-71170	Feed Shooter (For 12mm)	1	
	T6-1-71170S	Feed Shooter (For 12mm)(Stainless Steel Model)	1	
	T6-1-71171	Feed Shooter (For 9mm)	1	
	T6-1-71171S	Feed Shooter (For 9mm)(Stainless Steel Model)	1	
8	T6-1-71180	Feed Shooter Cover	1	
	T6-1-71180S	Feed Shooter Cover (Stainless Steel Model)	1	
9	T6-1-71193	Upper Feed Roller Set (For 12mm)	1	
	T6-1-71194	Upper Feed Roller Set (For 9mm)	1	
10	BR628ZZ	Bearing, 628ZZ	1	
11	BR6202ZZ	Bearing, 6202ZZ	4	
12	RR24	Snap Ring, H-24	2	
13	RR35	Snap Ring, H-35	4	
14	ER12	Snap Ring, E-12	1	
51	HBS0645H	HBS, M6×45 (H)	2	
	HBS0645HS	HBS, M6×45 (H)(Stainless Steel Model)	2	
52	HBS0616	HBS, M6×16	1	

**1-7-1**

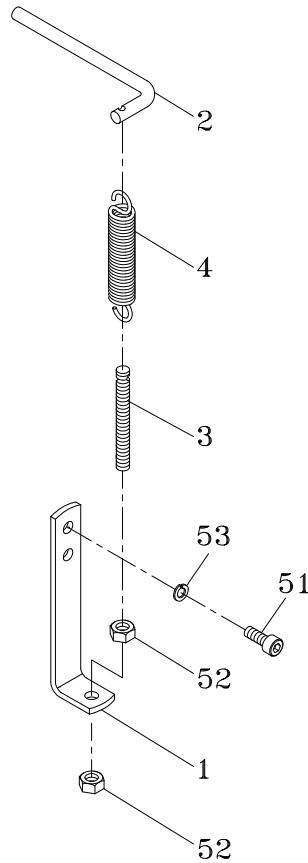
**FEED ASS'Y**

**T6-1-71002**

**T6-1-71003**

REF. NO.	PART NO.	DESCRIPTION	Q'TY	REMARKS
53	HSS0615G	HSS, M6×15 (G)	1	
54	HSS0610G	HSS, M6×10 (G)	2	
55	PMS0610	PMS, M6×10	2	
	PMS0610S	PMS, M6×10 (Stainless Steel Model)	2	
56	HN06	HN, M6	2	

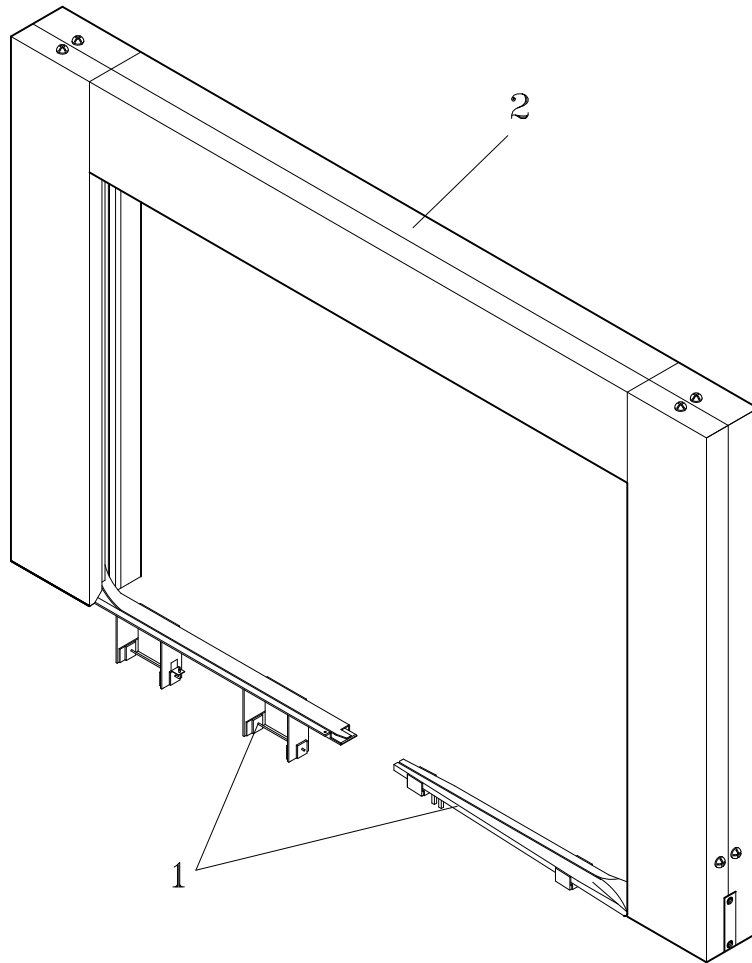
**1-7-2 UPPER ADJUSTING WEIGHT ASS'Y T6-1-72000**  
**T6-1-72030**



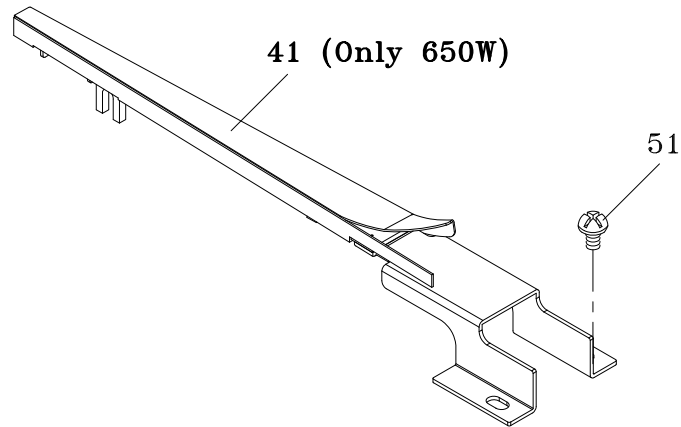
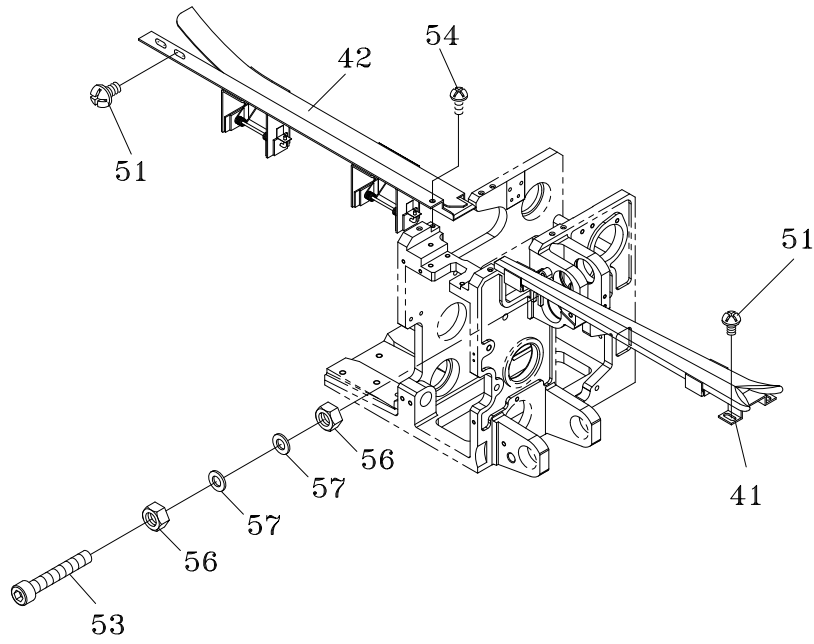
REF. NO.	PART NO.	DESCRIPTION	Q'TY	REMARKS
	T6-1-72000	Upper Adjusting Weight Ass'y (For TP-601D)	1	
	T6-1-72030	Upper Adjusting Weight Ass'y (For TP-601L)	1	
1	T6-1-72110	Upper Adjusting Base	1	
2	T6-1-72120	Upper Adjusting Spring Hook	1	
3	T6-1-72130	Upper Adjusting Spring Rod (For TP-601D)	1	
	M7-1-331500	Spring Hook (For TP-601L)	1	
4	T6-1-72140	Spring	1	
51	HBS0512	HBS, M5×12	2	
52	HN06	HN, M6	2	
53	SW05	SW, M5	2	

**BANDWAY UNIT**

**T6-2-90000**  
**T6-2-90007**



REF. NO.	PART NO.	DESCRIPTION	Q'TY	REMARKS
1	T6-2-90000	Bandway Unit (For 12mm)	1	
	T6-2-90000S	Bandway Unit (For 12mm)(Stainless Steel Model)	1	
	T6-2-90007	Bandway Unit (For 9mm)	1	
	T6-2-90007S	Bandway Unit (For 9mm)(Stainless Steel Model)	1	
	T6-2-10110	Bandway Group (For 850W, 12mm)	1	SEE PAGE 32
	T6-2-10111	Bandway Group (For 850W, 9mm)	1	SEE PAGE 32
	T6-2-10120	Bandway Group (For 650W, 12mm)	1	SEE PAGE 32
	T6-2-10121	Bandway Group (For 650W, 9mm)	1	SEE PAGE 32
	T6-2-10140	Bandway Group (For 1050W, 12mm)	1	SEE PAGE 32
	T6-2-10141	Bandway Group (For 1050W, 9mm)	1	SEE PAGE 32
	T6-2-10150	Bandway Group (For 1250W, 12mm)	1	SEE PAGE 32
	T6-2-10151	Bandway Group (For 1250W, 9mm)	1	SEE PAGE 32
	T6-2-10160	Bandway Group (For 1450W, 12mm)	1	SEE PAGE 32
	T6-2-10161	Bandway Group (For 1450W, 9mm)	1	SEE PAGE 32
	T6-2-10170	Bandway Group (For 1650W, 12mm)	1	SEE PAGE 32
	T6-2-10171	Bandway Group (For 1650W, 9mm)	1	SEE PAGE 32
	T6-2-10180	Bandway Group (For 1850W, 12mm)	1	SEE PAGE 32
T6-2-10181	Bandway Group (For 1850W, 9mm)	1	SEE PAGE 32	
2	T6-2-20003	Chute Arch Group	1	SEE PAGE 38
	T6-2-20003S	Chute Arch Group (Stainless Steel Model)	1	SEE PAGE 38



REF. NO.	PART NO.	DESCRIPTION	Q'TY	REMARKS
	T6-2-10110	Bandway Group (For 850W, 12mm)	1	
	T6-2-10111	Bandway Group (For 850W, 9mm)	1	
	T6-2-10120	Bandway Group (For 650W, 12mm)	1	
	T6-2-10121	Bandway Group (For 650W, 9mm)	1	
	T6-2-10140	Bandway Group (For 1050W, 12mm)	1	
	T6-2-10141	Bandway Group (For 1050W, 9mm)	1	
	T6-2-10150	Bandway Group (For 1250W, 12mm)	1	
	T6-2-10151	Bandway Group (For 1250W, 9mm)	1	
	T6-2-10160	Bandway Group (For 1450W, 12mm)	1	
	T6-2-10161	Bandway Group (For 1450W, 9mm)	1	
	T6-2-10170	Bandway Group (For 1650W, 12mm)	1	
	T6-2-10171	Bandway Group (For 1650W, 9mm)	1	
	T6-2-10180	Bandway Group (For 1850W, 12mm)	1	
	T6-2-10181	Bandway Group (For 1850W, 9mm)	1	
41	T6-2-11000	RH Bandway Ass'y (For 12mm)	1	SEE PAGE 34
	T6-2-11001	RH Bandway Ass'y (For 9mm)	1	SEE PAGE 34
	T6-2-11010	RH Bandway Ass'y (Only 650W, 12mm)	1	SEE PAGE 34
	T6-2-11011	RH Bandway Ass'y (Only 650W, 9mm)	1	SEE PAGE 34
42	T6-2-12000	LH Bandway Ass'y (For 850W, 12mm)	1	SEE PAGE 35
	T6-2-12001	LH Bandway Ass'y (For 850W, 9mm)	1	SEE PAGE 35
	T6-2-12010	LH Bandway Ass'y (For 650W, 12mm)	1	SEE PAGE 35
	T6-2-12011	LH Bandway Ass'y (For 650W, 9mm)	1	SEE PAGE 35
	T6-2-12020	LH Bandway Ass'y (For 1050W, 12mm)	1	SEE PAGE 35
	T6-2-12021	LH Bandway Ass'y (For 1050W, 9mm)	1	SEE PAGE 35
	T6-2-12030	LH Bandway Ass'y (For 1250W, 12mm)	1	SEE PAGE 35
	T6-2-12031	LH Bandway Ass'y (For 1250W, 9mm)	1	SEE PAGE 35
	T6-2-12040	LH Bandway Ass'y (For 1450W, 12mm)	1	SEE PAGE 35
	T6-2-12041	LH Bandway Ass'y (For 1450W, 9mm)	1	SEE PAGE 35
	T6-2-12050	LH Bandway Ass'y (For 1650W, 12mm)	1	SEE PAGE 35
	T6-2-12051	LH Bandway Ass'y (For 1650W, 9mm)	1	SEE PAGE 35
	T6-2-12060	LH Bandway Ass'y (For 1850W, 12mm)	1	SEE PAGE 35
	T6-2-12061	LH Bandway Ass'y (For 1850W, 9mm)	1	SEE PAGE 35
51	TMS0608	TMS, M6×8	4	

2-1

**BANDWAY GROUP**

**T6-2-10110**

**T6-2-10111**

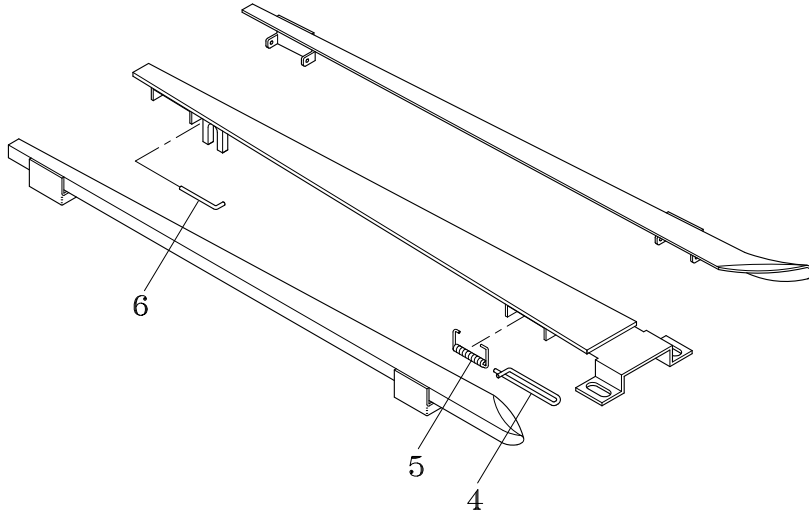
REF. NO.	PART NO.	DESCRIPTION	Q'TY	REMARKS
53	HBS0650	HBS, M6×50	1	
54	TMS0508	TMS, M5×8	1	
56	HN06	HN, M6	2	
57	PW06A	PW, M6 (A)	2	



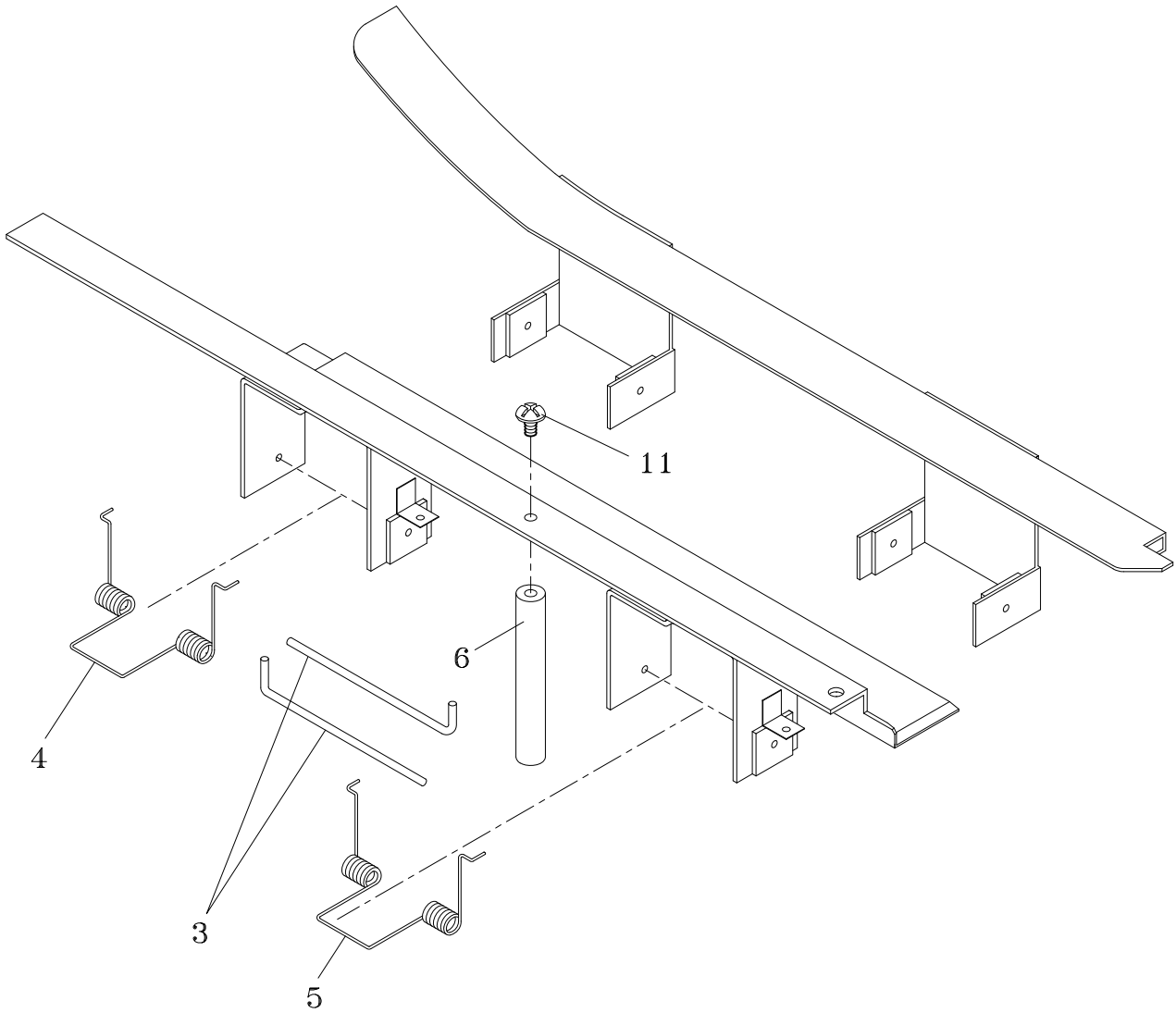
2-1-1

RH BANDWAY ASS'Y

T6-2-11000  
T6-2-11001



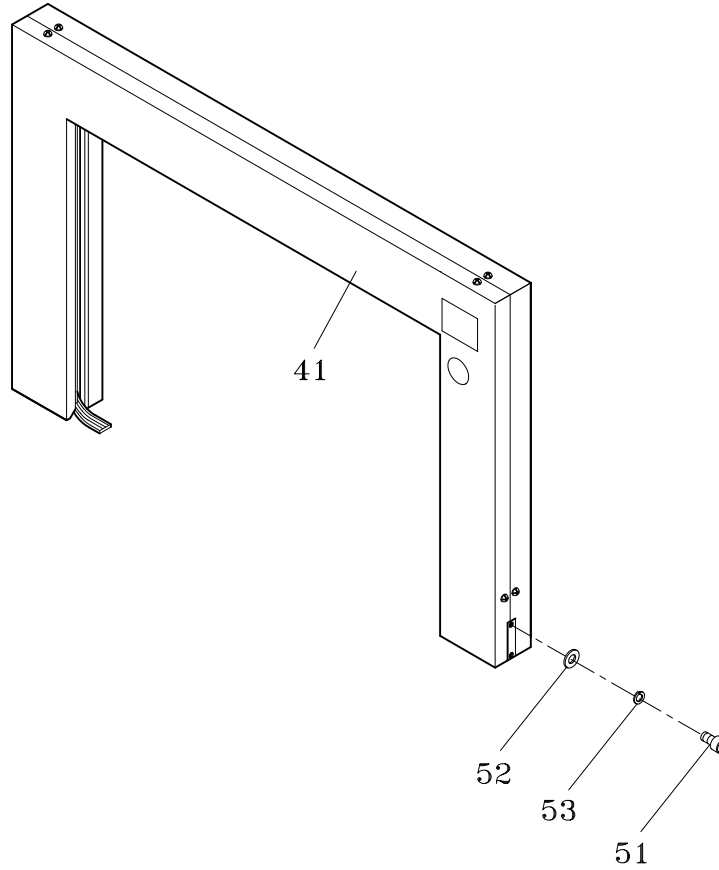
REF. NO.	PART NO.	DESCRIPTION	Q'TY	REMARKS
	T6-2-11000	RH Bandway Ass'y (For 12mm)	1	
	T6-2-11001	RH Bandway Ass'y (For 9mm)	1	
	T6-2-11010	RH Bandway Ass'y (Only 650W, 12mm)	1	
	T6-2-11011	RH Bandway Ass'y (Only 650W, 9mm)	1	
4	T6-2-11140	RH Bandway Flap Pin (Rear) RH Bandway Flap Pin (Rear)(Only 650W, 9mm)	2 1	
5	T6-2-11150	RH Bandway Flap Spring RH Bandway Flap Spring (Only 650W, 9mm)	2 1	
6	T6-2-11160	RH Bandway Flap Pin (Front) RH Bandway Flap Pin (Front)(Only 650W, 9mm)	2 1	



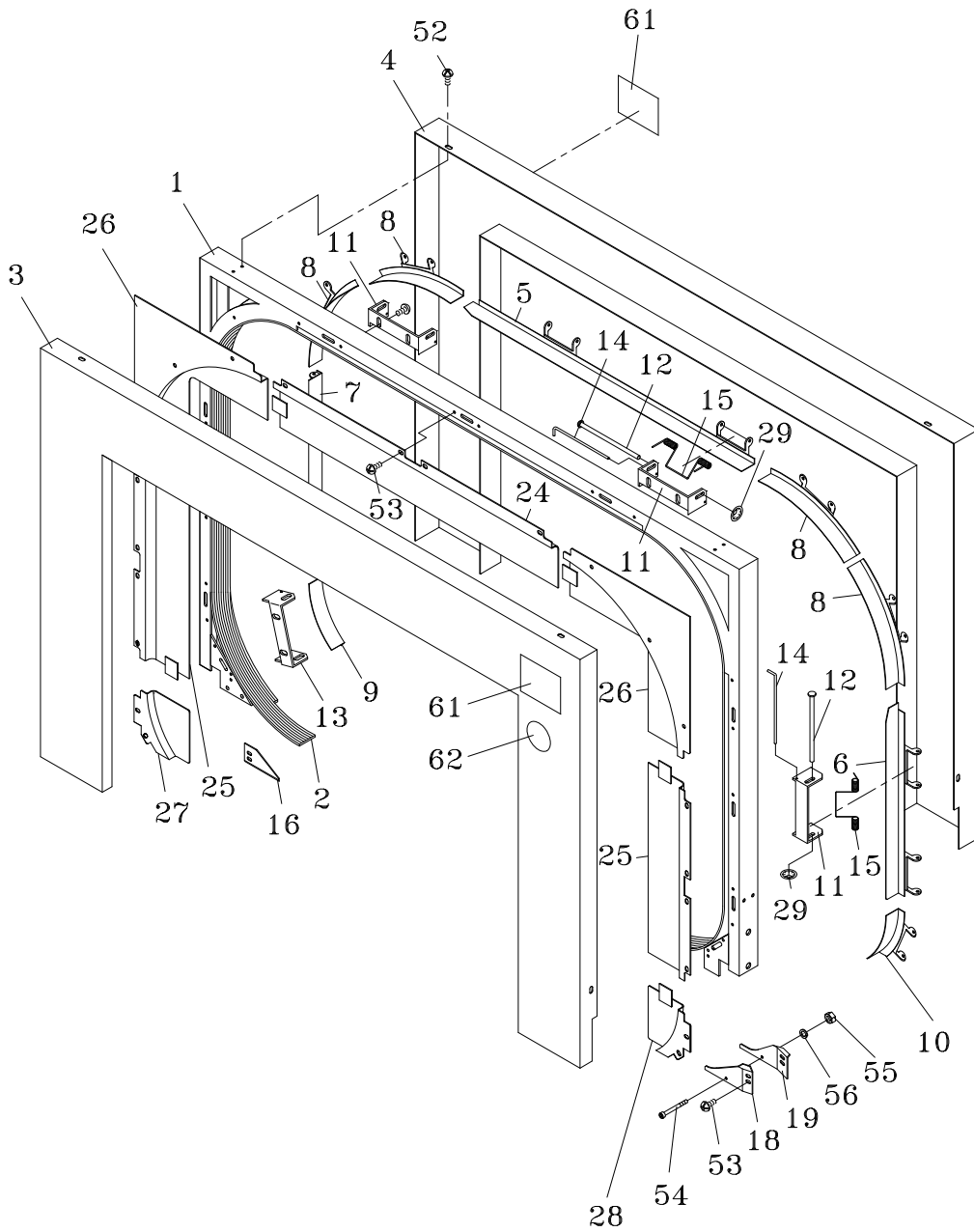
**2-1-2****LH BANDWAY ASS'Y****T6-2-12000****T6-2-12001**

REF. NO.	PART NO.	DESCRIPTION	Q'TY	REMARKS
	T6-2-12000	LH Bandway Ass'y (For 850W, 12mm)	1	
	T6-2-12001	LH Bandway Ass'y (For 850W, 9mm)	1	
	T6-2-12010	LH Bandway Ass'y (For 650W, 12mm)	1	
	T6-2-12011	LH Bandway Ass'y (For 650W, 9mm)	1	
	T6-2-12020	LH Bandway Ass'y (For 1050W, 12mm)	1	
	T6-2-12021	LH Bandway Ass'y (For 1050W, 9mm)	1	
	T6-2-12030	LH Bandway Ass'y (For 1250W, 12mm)	1	
	T6-2-12031	LH Bandway Ass'y (For 1250W, 9mm)	1	
	T6-2-12040	LH Bandway Ass'y (For 1450W, 12mm)	1	
	T6-2-12041	LH Bandway Ass'y (For 1450W, 9mm)	1	
	T6-2-12050	LH Bandway Ass'y (For 1650W, 12mm)	1	
	T6-2-12051	LH Bandway Ass'y (For 1650W, 9mm)	1	
	T6-2-12060	LH Bandway Ass'y (For 1850W, 12mm)	1	
	T6-2-12061	LH Bandway Ass'y (For 1850W, 9mm)	1	
3	T6-2-12130	LH Bandway Flap Pin (For 650W~1050W)	2	
		LH Bandway Flap Pin (For 1250W~1450W)	3	
		LH Bandway Flap Pin (For 1650W~1850W)	4	
4	T6-2-12140	LH Bandway Flap Spring (For 650W~1050W)	1	
		LH Bandway Flap Spring (For 1250W~1450W)	2	
		LH Bandway Flap Spring (For 1650W~1850W)	3	
5	T6-2-12150	LH Bandway Flap Spring	1	
6	T6-2-12180	Pillar (For 1450W~1850W)	1	
11	TMS0508	TMS, M5×8 (For 1450W~1850W)	1	





REF. NO.	PART NO.	DESCRIPTION	Q'TY	REMARKS
	T6-2-20003	Chute Arch Group	1	
	T6-2-20003S	Chute Arch Group (Stainless Steel Model)	1	
41	T6-2-21003	Arch Ass'y	1	SEE PAGE 39
	T6-2-21003S	Arch Ass'y (Stainless Steel Model)	1	SEE PAGE 39
51	HBS0816	HBS, M8×16	4	
	HBS0816S	HBS, M8×16 (Stainless Steel Model)	4	
52	PW08A	PW, M8 (A)	4	
	PW08AS	PW, M8 (A)(Stainless Steel Model)	4	
53	SW08	SW, M8	4	
	SW08S	SW, M8 (Stainless Steel Model)	4	



**2-2-1****ARCH ASS'Y****T6-2-21003**

REF. NO.	PART NO.	DESCRIPTION	Q'TY	REMARKS
1	T6-2-21003	Arch Ass'y	1	
	T6-2-21003S	Arch Ass'y (Stainless Steel Model)	1	
	T6-2-20110	Arch Frame (For 850W×600H)	1	
	T6-2-20110S	Arch Frame (For 850W×600H) (Stainless Steel Model)	1	
2	T6-2-20120	Arch Bandway (For 850W×600H)	1	
3	T6-2-20146	Arch Cover, Front (For 850W×600H)	1	
	T6-2-20146S	Arch Cover, Front (For 850W×600H) (Stainless Steel Model)	1	
4	T6-2-20147	Arch Cover, Rear (For 850W×600H)	1	
	T6-2-20147S	Arch Cover, Rear (For 850W×600H) (Stainless Steel Model)	1	
5	T6-2-20150	Upper Guide Rail (For 850W)	1	
	T6-2-20150S	Upper Guide Rail (For 850W) (Stainless Steel Model)	1	
	T6-2-20151	Upper Guide Rail (For 1050W)	1	
	T6-2-20151S	Upper Guide Rail (For 1050W) (Stainless Steel Model)	1	
	T6-2-20152	Upper Guide Rail (For 1250W)	1	
	T6-2-20152S	Upper Guide Rail (For 1250W) (Stainless Steel Model)	1	
	T6-2-20153	Upper Guide Rail (For 1450W)	1	
	T6-2-20153S	Upper Guide Rail (For 1450W) (Stainless Steel Model)	1	
	T6-2-20154	Upper Guide Rail (For 1650W)	1	
	T6-2-20154S	Upper Guide Rail (For 1650W) (Stainless Steel Model)	1	
	T6-2-20155	Upper Guide Rail (For 1850W)	1	
	T6-2-20155S	Upper Guide Rail (For 1850W) (Stainless Steel Model)	1	
	T6-2-20159	Upper Guide Rail (For 650W)	1	
	T6-2-20159S	Upper Guide Rail (For 650W) (Stainless Steel Model)	1	

**2-2-1****ARCH ASS'Y****T6-2-21003**

REF. NO.	PART NO.	DESCRIPTION	Q'TY	REMARKS	
6	T6-2-20160	RH Side Guide Rail (For 600H)	1		
	T6-2-20160S	RH Side Guide Rail (For 600H) (Stainless Steel Model)	1		
	T6-2-20161	RH Side Guide Rail (For 800H)	1		
	T6-2-20161S	RH Side Guide Rail (For 800H) (Stainless Steel Model)	1		
	T6-2-20162	RH Side Guide Rail (For 1000H)	1		
	T6-2-20162S	RH Side Guide Rail (For 1000H) (Stainless Steel Model)	1		
	T6-2-20163	RH Side Guide Rail (For 1200H)	1		
	T6-2-20163S	RH Side Guide Rail (For 1200H) (Stainless Steel Model)	1		
	T6-2-20169	RH Side Guide Rail (For 400H)	1		
	T6-2-20169S	RH Side Guide Rail (For 400H) (Stainless Steel Model)	1		
	7	T6-2-20170	LH Side Guide Rail (For 600H)	1	
		T6-2-20170S	LH Side Guide Rail (For 600H) (Stainless Steel Model)	1	
		T6-2-20171	LH Side Guide Rail (For 800H)	1	
		T6-2-20171S	LH Side Guide Rail (For 800H) (Stainless Steel Model)	1	
T6-2-20172		LH Side Guide Rail (For 1000H)	1		
T6-2-20172S		LH Side Guide Rail (For 1000H) (Stainless Steel Model)	1		
T6-2-20173		LH Side Guide Rail (For 1200H)	1		
T6-2-20173S		LH Side Guide Rail (For 1200H) (Stainless Steel Model)	1		
T6-2-20179		LH Side Guide Rail (For 400H)	1		
T6-2-20179S		LH Side Guide Rail (For 400H) (Stainless Steel Model)	1		
8	T6-2-20180	Corner Guide Rail, Upper	4		
	T6-2-20180S	Corner Guide Rail, Upper (Stainless Steel Model)	4		
9	T6-2-20190	Corner Guide Rail, Lower (LH)	1		
	T6-2-20190S	Corner Guide Rail, Lower (LH) (Stainless Steel Model)	1		



**2-2-1****ARCH ASS'Y****T6-2-21003**

REF. NO.	PART NO.	DESCRIPTION	Q'TY	REMARKS
10	T6-2-20200	Corner Guide Rail, Lower (RH)	1	
	T6-2-20200S	Corner Guide Rail, Lower (RH) (Stainless Steel Model)	1	
11	T6-2-20210	Guide Rail Hinge (1)(For 850W×600H)	11	
12	T6-2-20220	K-Type Guide Rail Hinge Shaft (For 850W×600H)	12	
13	T6-2-20230	Guide Rail Hinge (2)	1	
14	T6-2-20240	Guide Rail Hinge Shaft (For 850W×600H)	11	
15	T6-2-21250	Arch Guide Rail Spring (For 850W×600H)	11	
16	T6-2-21260	Guiding Angle, LH Front	1	
	T6-2-21260S	Guiding Angle, LH Front (Stainless Steel Model)	1	
18	T6-2-21280	Guiding Angle, RH Front	1	
	T6-2-21280S	Guiding Angle, RH Front (Stainless Steel Model)	1	
19	T6-2-21290	Guiding Angle, RH Rear	1	
	T6-2-21290S	Guiding Angle, RH Rear (Stainless Steel Model)	1	
24	T6-2-20340	Back Guide Plate, Upper (For 850W)	1	
	T6-2-20340S	Back Guide Plate, Upper (For 850W) (Stainless Steel Model)	1	
	T6-2-20341	Back Guide Plate, Upper (For 1050W)	1	
	T6-2-20341S	Back Guide Plate, Upper (For 1050W) (Stainless Steel Model)	1	
	T6-2-20342	Back Guide Plate, Upper (For 1250W)	1	
	T6-2-20342S	Back Guide Plate, Upper (For 1250W) (Stainless Steel Model)	1	
	T6-2-20343	Back Guide Plate, Upper (For 1450W)	1	
	T6-2-20343S	Back Guide Plate, Upper (For 1450W) (Stainless Steel Model)	1	
	T6-2-20344	Back Guide Plate, Upper (For 1650W)	1	
	T6-2-20344S	Back Guide Plate, Upper (For 1650W) (Stainless Steel Model)	1	

REF. NO.	PART NO.	DESCRIPTION	Q'TY	REMARKS
	T6-2-20345	Back Guide Plate, Upper (For 1850W)	1	
	T6-2-20345S	Back Guide Plate, Upper (For 1850W) (Stainless Steel Model)	1	
	T6-2-20349	Back Guide Plate, Upper (For 650W)	1	
	T6-2-20349S	Back Guide Plate, Upper (For 650W) (Stainless Steel Model)	1	
25	T6-2-21350	Back Guide Plate, Side (For 600H)	2	
	T6-2-21350S	Back Guide Plate, Side (For 600H) (Stainless Steel Model)	2	
	T6-2-21351	Back Guide Plate, Side (For 800H)	2	
	T6-2-21351S	Back Guide Plate, Side (For 800H) (Stainless Steel Model)	2	
	T6-2-21352	Back Guide Plate, Side (For 1000H)	2	
	T6-2-21352S	Back Guide Plate, Side (For 1000H) (Stainless Steel Model)	2	
	T6-2-21353	Back Guide Plate, Side (For 1200H)	2	
	T6-2-21353S	Back Guide Plate, Side (For 1200H) (Stainless Steel Model)	2	
	T6-2-21359	Back Guide Plate, Side (For 400H)	2	
	T6-2-21359S	Back Guide Plate, Side (For 400H) (Stainless Steel Model)	2	
26	T6-2-21360	Back Guide Plate, Corner Upper	2	
	T6-2-21360S	Back Guide Plate, Corner Upper (Stainless Steel Model)	2	
27	T6-2-21370	Back Guide Plate, LH Lower	1	
	T6-2-21370S	Back Guide Plate, LH Lower (Stainless Steel Model)	1	
28	T6-2-21380	Back Guide Plate, RH Lower	1	
	T6-2-21380S	Back Guide Plate, RH Lower (Stainless Steel Model)	1	
29	PN04	PN, $\phi$ 4	12	
	PN04S	PN, $\phi$ 4 (Stainless Steel Model)	12	

2-2-1

ARCH ASS'Y

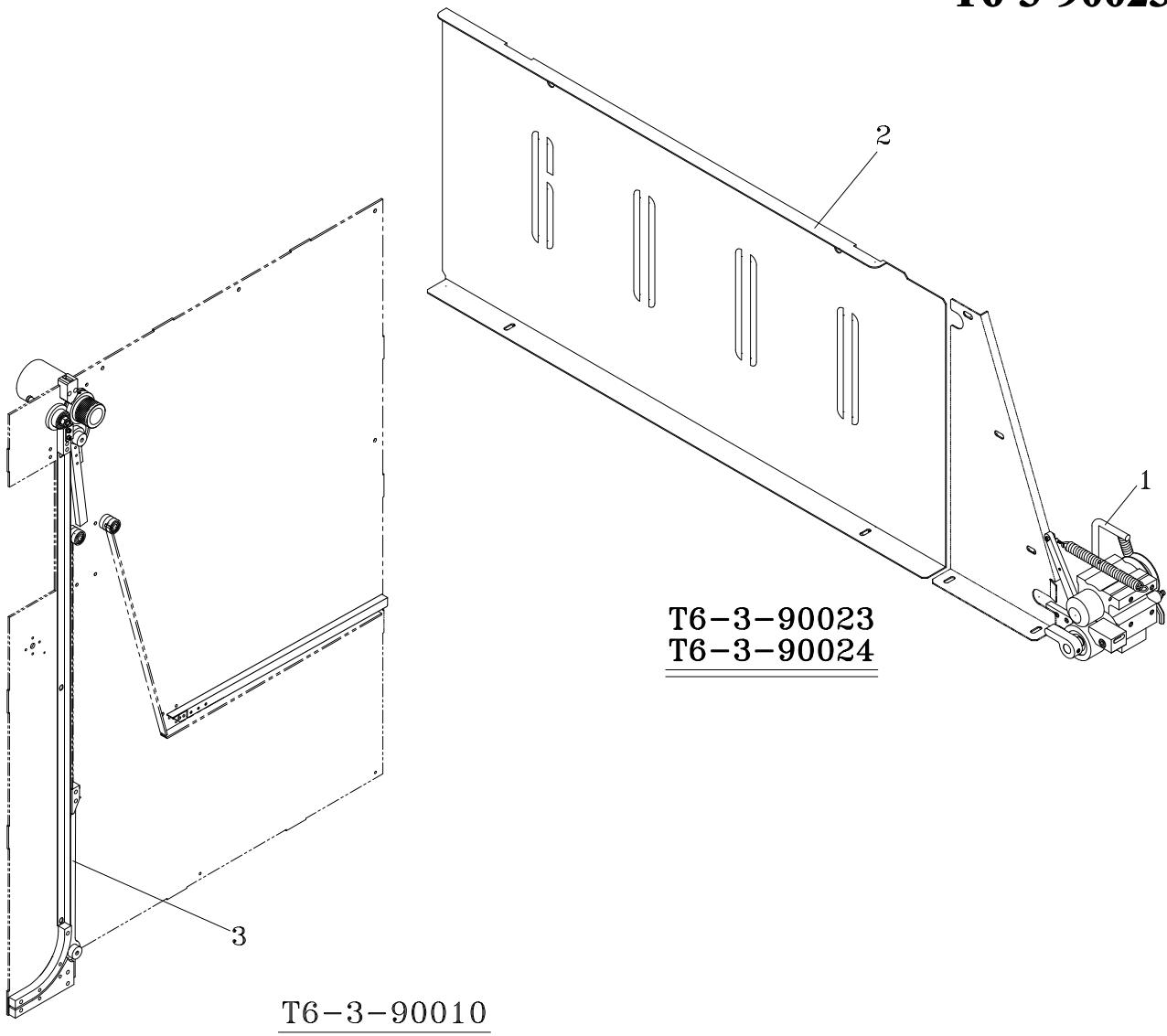
T6-2-21003

REF. NO.	PART NO.	DESCRIPTION	Q'TY	REMARKS
52	TMS0508S	TMS, M5×8 (SUS)	8	
53	TMS0408	TMS, M4×8	72	
54	HBS0440H	HBS, M4×40 (H)	1	
55	HN04	HN, M4	1	
56	SW04	SW, M4	1	
61	LA-40005	Label	2	
62	LA-40170	Label	1	

3

**ACCUMULATOR UNIT**

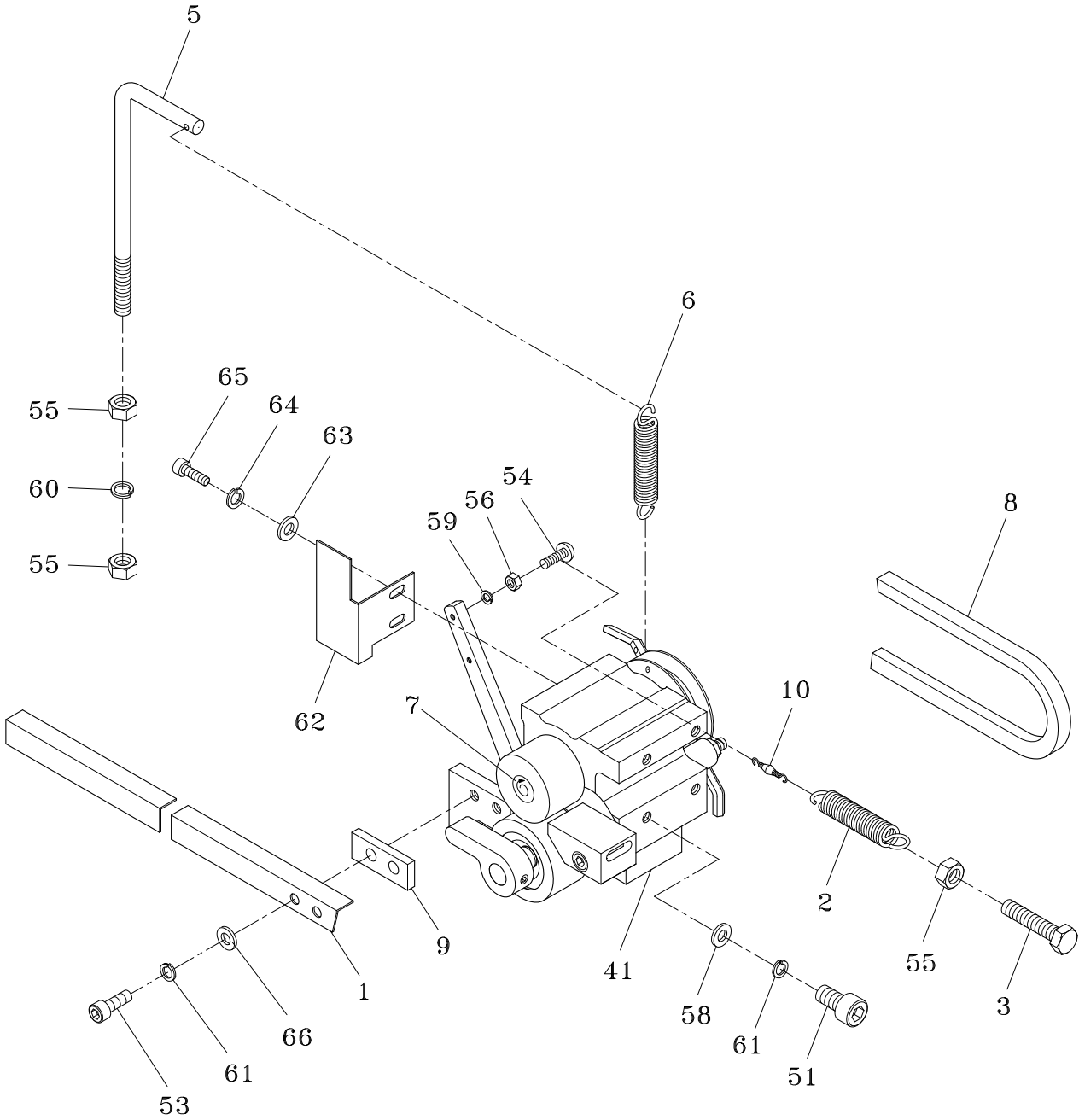
**T6-3-90010  
T6-3-90023**



REF. NO.	PART NO.	DESCRIPTION	Q'TY	REMARKS
	T6-3-90010	Accumulator Unit (For TP-601L)	1	
	T6-3-90010S	Accumulator Unit (For TP-601L) (Stainless Steel Model)	1	
	T6-3-90023	Accumulator Unit (For TP-601D, 12mm)	1	
	T6-3-90023S	Accumulator Unit (For TP-601D, 12mm) (Stainless Steel Model)	1	
	T6-3-90024	Accumulator Unit (For TP-601D, 9mm)	1	
	T6-3-90024S	Accumulator Unit (For TP-601D, 9mm) (Stainless Steel Model)	1	

REF. NO.	PART NO.	DESCRIPTION	Q'TY	REMARKS
1	T6-3-10007	Accumulator Group (For TP-601D, 12mm)	1	SEE PAGE 47
	T6-3-10007S	Accumulator Group (For TP-601D, 12mm)(Stainless Steel Model)	1	SEE PAGE 47
	T6-3-10008	Accumulator Group (For TP-601D, 9mm)	1	SEE PAGE 47
	T6-3-10008S	Accumulator Group (For TP-601D, 9mm)(Stainless Steel Model)	1	SEE PAGE 47
2	T6-3-20001	Accumulator Box Group (TP-601D, 12mm)	1	SEE PAGE 52
	T6-3-20001S	Accumulator Box Group (TP-601D, 12mm)(Stainless Steel Model)	1	SEE PAGE 52
	T6-3-20002	Accumulator Box Group (TP-601D, 9mm)	1	SEE PAGE 52
	T6-3-20002S	Accumulator Box Group (TP-601D, 9mm)(Stainless Steel Model)	1	SEE PAGE 52
3	T6-3-30004	Accumulator Box Group (TP-601L, 12mm)	1	SEE PAGE 54
	T6-3-30004S	Accumulator Box Group (TP-601L, 12mm)(Stainless Steel Model)	1	SEE PAGE 54
	T6-3-30005	Accumulator Box Group (TP-601L, 9mm)	1	SEE PAGE 54
	T6-3-30005S	Accumulator Box Group (TP-601L, 9mm)(Stainless Steel Model)	1	SEE PAGE 54

ACCUMULATOR GROUP  
(For TP-601D)



**3-1****ACCUMULATOR GROUP  
(For TP-601D)****T6-3-10007  
T6-3-10008**

REF. NO.	PART NO.	DESCRIPTION	Q'TY	REMARKS
	T6-3-10007	Accumulator Group (For 12mm)	1	
	T6-3-10007S	Accumulator Group (For 12mm) (Stainless Steel Model)	1	
	T6-3-10008	Accumulator Group (For 9mm)	1	
	T6-3-10008S	Accumulator Group (For 9mm) (Stainless Steel Model)	1	
1	T6-3-10110	Balance Bar (For 12mm)	1	
	T6-3-10111	Balance Bar (For 9mm)	1	
2	T6-3-10120	Accumulator Balance Spring	1	
3	T6-3-10130	Accumulator Adjusting Bolt	1	
	T6-3-10130S	Accumulator Adjusting Bolt (Stainless Steel Model)	1	
5	T6-3-10150	Accumulator Spring Adjusting	1	
6	T6-1-72140	Spring	1	
7	LA-50200	Label (Direction)	1	
8	T6-3-10181	V-Belt, M-27	1	
9	T6-3-10190	Balance Bar Spacer (Only 12mm)	1	
10	T6-3-10200	Twist Stopper	1	
41	T6-3-12000	Accumulator Ass'y (For 12mm)	1	SEE PAGE 50
	T6-3-12001	Accumulator Ass'y (For 9mm)	1	SEE PAGE 50
51	HBS0620	HBS, M6×20	4	
	HBS0620S	HBS, M6×20 (Stainless Steel Model)	4	
53	HBS0616	HBS, M6×16 (For 12mm)	2	
	HBS0612	HBS, M6×12 (For 9mm)	2	
54	PMS0315	PMS, M3×15	1	
55	HN08	HN, M8	3	
	HN08S	HN, M8 (Stainless Steel Model)	3	
56	HN03	HN, M3	1	
58	PW06C	PW, M6 (C)	4	
	PW06CS	PW, M6 (C)(Stainless Steel Model)	4	

**3-1****ACCUMULATOR GROUP  
(For TP-601D)****T6-3-10007  
T6-3-10008**

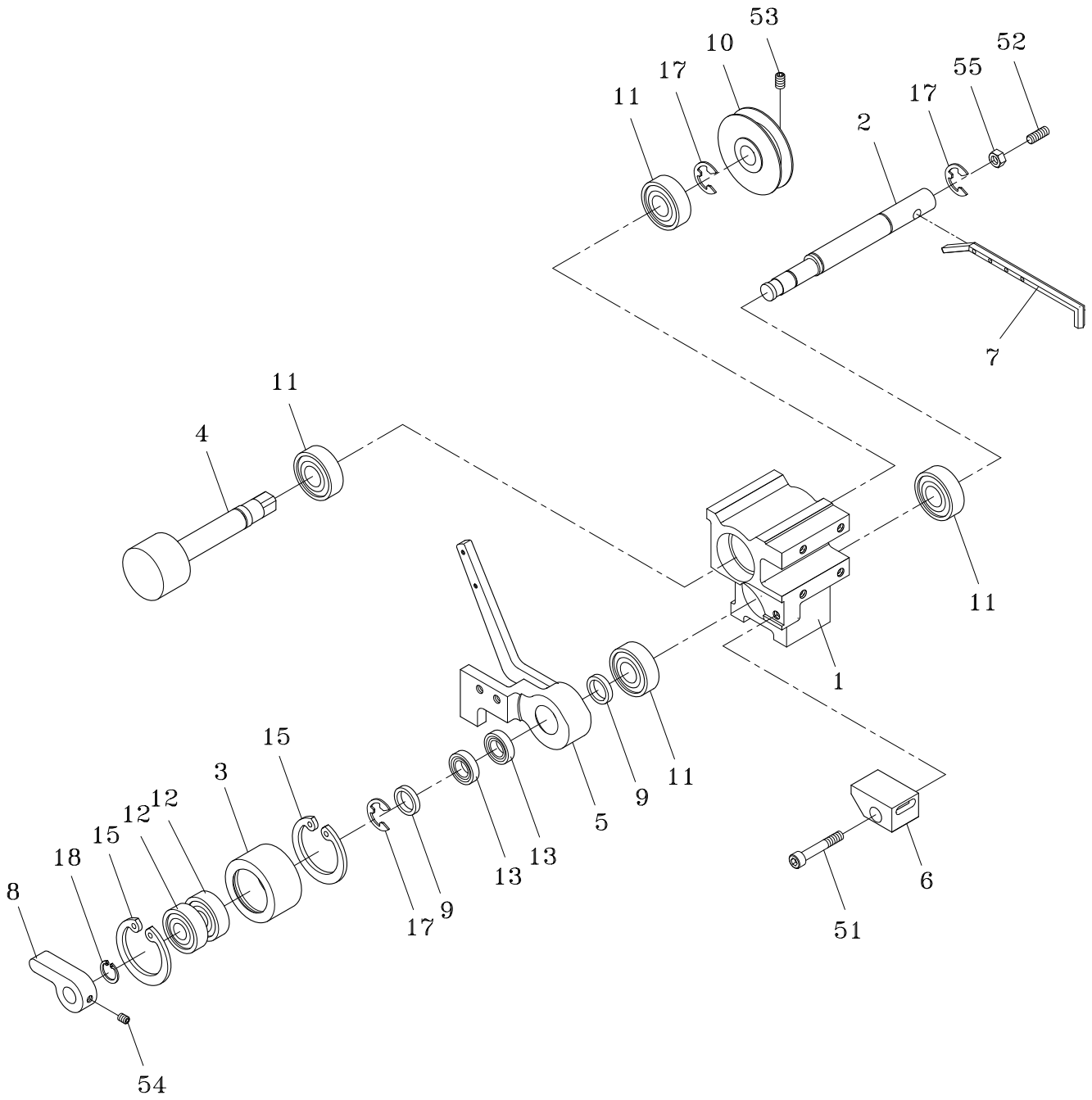
REF. NO.	PART NO.	DESCRIPTION	Q'TY	REMARKS
59	SW03	SW, M3	1	
60	SW08	SW, M8	1	
61	SW06	SW, M6	6	
	SW06S	SW, M6 (Stainless Steel Model)	6	
62	T6-3-10321	Cover	1	
63	PW05	PW, M5	2	
64	SW05	SW, M5	2	
65	HBS0510	HBS, M5×10	2	
66	PW06A	PW, M6 (A)	2	



3-1-1

**ACCUMULATOR ASS'Y  
(For TP-601D)**

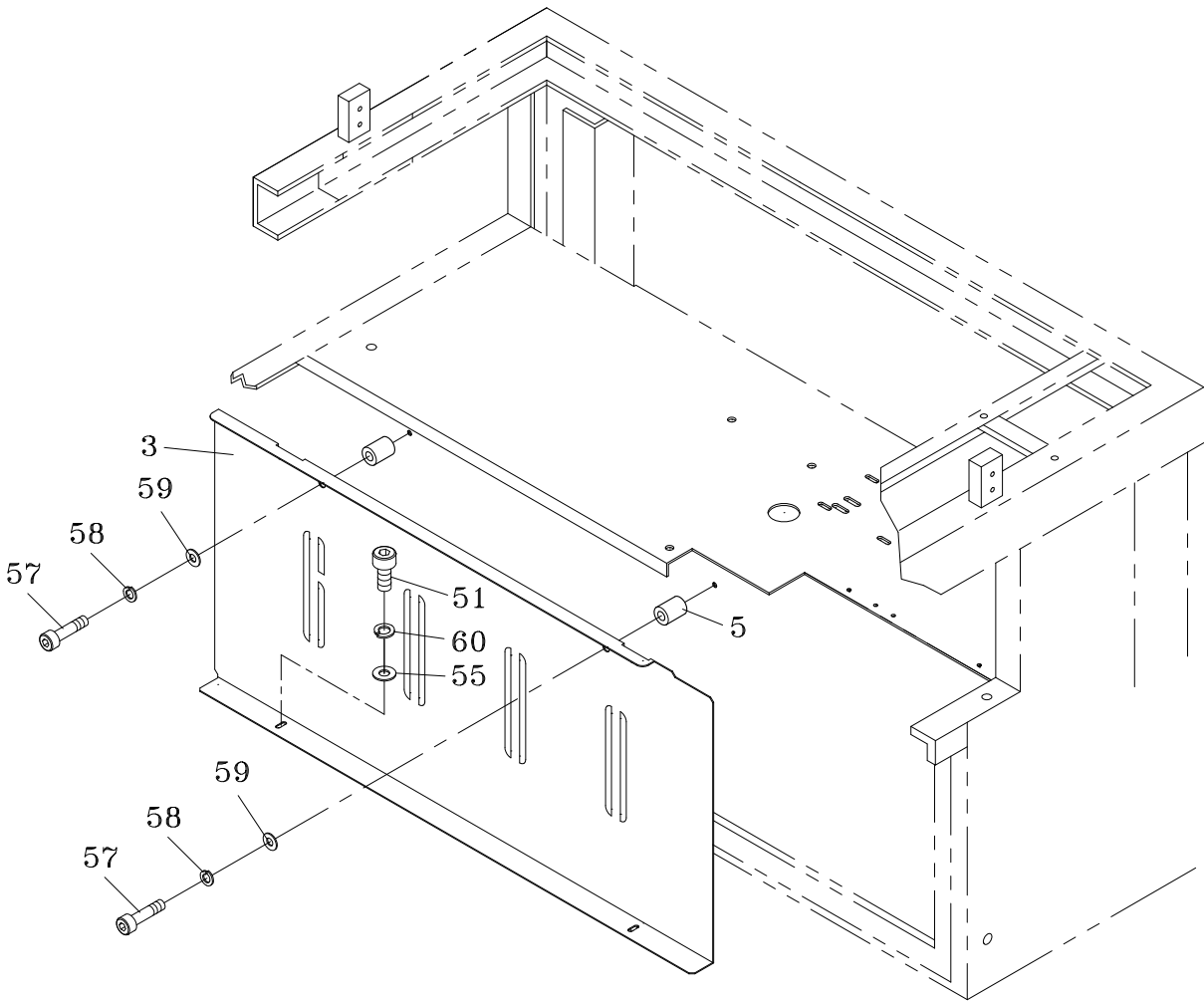
**T6-3-12000  
T6-3-12001**



**3-1-1****ACCUMULATOR ASS'Y  
(For TP-601D)****T6-3-12000  
T6-3-12001**

REF. NO.	PART NO.	DESCRIPTION	Q'TY	REMARKS
	T6-3-12000	Accumulator Ass'y (For 12mm)	1	
	T6-3-12001	Accumulator Ass'y (For 9mm)	1	
1	T6-3-11110	Accumulator Bearing Case	1	
2	T6-3-11120	Accumulator Lower Shaft	1	
3	T6-3-11130	Accumulator Lower Roller	1	
4	T6-3-11140	Accumulator Main Roller & Shaft	1	
5	T6-3-11150	Accumulator Balance Bar Holder	1	
6	T6-3-11160	Accumulator Feed Shooter (For 12mm)	1	
	T6-3-11161	Accumulator Feed Shooter (For 9mm)	1	
7	T6-3-12170	Accumulator Lower Shaft Spring Hook	1	
8	T6-3-11180	Knob	1	
9	T6-3-11190	Bearing Collar	2	
10	T6-1-71160	Feed Roller Pulley	1	
11	BR6202ZZ	Bearing, 6202ZZ	4	
12	BR6201ZZ	Bearing, 6201ZZ	2	
13	BR6902ZZ	Bearing, 6902ZZ	2	
15	RR32	Snap Ring, H-32	2	
17	ER12	Snap Ring, E-12	3	
18	SR12	Stop Ring, S-12	1	
51	HBS0635H	HBS, M6×35 (H)	1	
52	HSS0615G	HSS, M6×15 (G)	1	
53	HSS0610G	HSS, M6×10 (G)	2	
54	HSS0506G	HSS, M5×6 (G)	1	
55	HN06	HN, M6	1	

**ACCUMULATOR BOX GROUP T6-3-20001**  
**(For TP-601D) T6-3-20002**

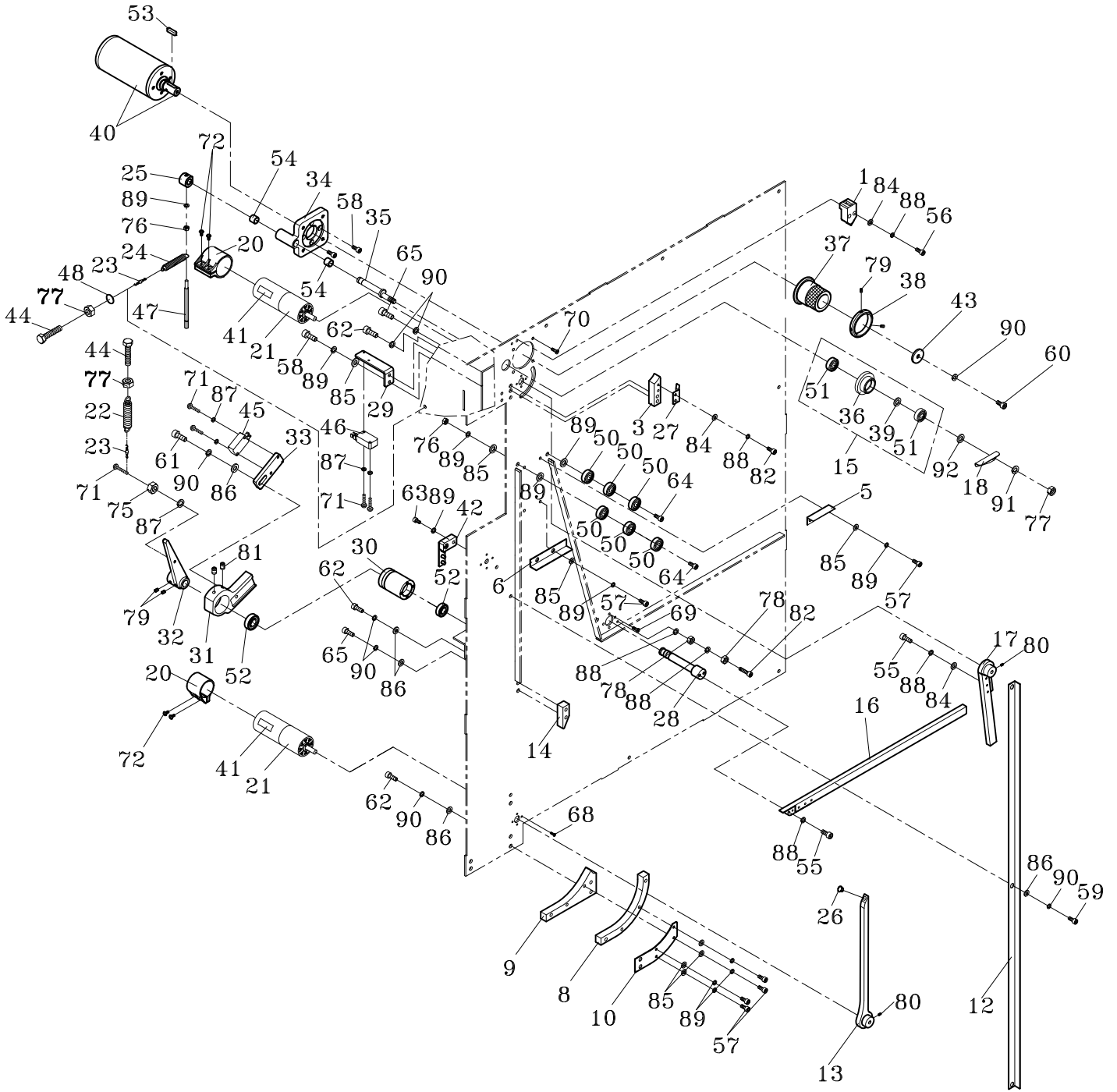


**3-2****ACCUMULATOR BOX GROUP  
(For TP-601D)****T6-3-20001  
T6-3-20002**

REF. NO.	PART NO.	DESCRIPTION	Q'TY	REMARKS
	T6-3-20001	Accumulator Box Group (For 12mm)	1	
	T6-3-20001S	Accumulator Box Group (For 12mm) (Stainless Steel Model)	1	
	T6-3-20002	Accumulator Box Group (For 9mm)	1	
	T6-3-20002S	Accumulator Box Group (For 9mm) (Stainless Steel Model)	1	
3	T6-3-20130	Accumulator Box Front, LH	1	
	T6-3-20130S	Accumulator Box Front, LH (Stainless Steel Model)	1	
5	T6-3-20150	Spacer (For 9 mm)	2	
	T6-3-20160	Spacer (For 12 mm)	2	
51	HBS0508	HBS, M5×8	2	
	HBS0508S	HBS, M5×8 (Stainless Steel Model)	2	
55	PW05	PW, M5	2	
	PW05S	PW, M5 (Stainless Steel Model)	2	
57	HBS0425H	HBS, M4×25 (H)	2	
	HBS0425HS	HBS, M4×25 (H)(Stainless Steel Model)	2	
58	SW04	SW, M4	2	
	SW04S	SW, M4 (Stainless Steel Model)	2	
59	PW04	PW, M4	2	
	PW04S	PW, M4 (Stainless Steel Model)	2	
60	SW05	SW, M5	2	
	SW05S	SW, M5 (Stainless Steel Model)	2	

3-3

# ACCUMULATOR BOX GROUP T6-3-30004 (For TP-601L) T6-3-30005



## 3-3

**ACCUMULATOR BOX GROUP  
(For TP-601L)**

**T6-3-30004  
T6-3-30005**

REF. NO.	PART NO.	DESCRIPTION	Q'TY	REMARKS
	T6-3-30004	Accumulator Box Group (For TP-601L, 12mm)	1	
	T6-3-30004S	Accumulator Box Group (For TP-601L, 12mm)(Stainless Steel Model)	1	
	T6-3-30005	Accumulator Box Group (For TP-601L, 9mm)	1	
	T6-3-30005S	Accumulator Box Group (For TP-601L, 9mm)(Stainless Steel Model)	1	
1	T6-3-30010	Inlet Guide (For 9mm)	1	
	T6-3-30011	Inlet Guide (For 12mm)	1	
3	T6-3-30030	Strap Guide (For 9mm)	1	
	T6-3-30031	Strap Guide (For 12mm)	1	
5	T6-3-30200	Enclosed Plate (For 9mm)	1	
	T6-3-30201	Enclosed Plate (For 12mm)	1	
6	T6-3-30210	Enclosed Plate (For 9mm)	1	
	T6-3-30211	Enclosed Plate (For 12mm)	1	
8	T6-3-30080	Inlet Strap Guide, Upper (For 9mm)	1	
	T6-3-30080S	Inlet Strap Guide, Upper (For 9mm) (Stainless Steel Model)	1	
	T6-3-30081	Inlet Strap Guide, Upper (For 12mm)	1	
	T6-3-30081S	Inlet Strap Guide, Upper (For 12mm) (Stainless Steel Model)	1	
9	T6-3-30090	Inlet Strap Guide, Lower (For 9mm)	1	
	T6-3-30090S	Inlet Strap Guide, Lower (For 9mm) (Stainless Steel Model)	1	
	T6-3-30091	Inlet Strap Guide, Lower (For 12mm)	1	
	T6-3-30091S	Inlet Strap Guide, Lower (For 12mm) (Stainless Steel Model)	1	
10	T6-3-30100	Strap Guide Cover	1	
	T6-3-30100S	Strap Guide Cover (Stainless Steel Model)	1	
12	T6-3-30120	Strap Guide Bar (For 9mm)	1	
	T6-3-30121	Strap Guide Bar (For 12mm)	1	

**3-3****ACCUMULATOR BOX GROUP  
(For TP-601L)****T6-3-30004  
T6-3-30005**

REF. NO.	PART NO.	DESCRIPTION	Q'TY	REMARKS
13	T6-3-30130	Movable Strap Guide (For 9mm)	1	
	T6-3-30130S	Movable Strap Guide (For 9mm) (Stainless Steel Model)	1	
	T6-3-30131	Movable Strap Guide (For 12mm)	1	
	T6-3-30131S	Movable Strap Guide (For 12mm) (Stainless Steel Model)	1	
14	T6-3-30140	Lower Guide (For 9mm)	1	
	T6-3-30140S	Lower Guide (For 9mm)(Stainless Steel Model)	1	
	T6-3-30141	Lower Guide (For 12mm)	1	
	T6-3-30141S	Lower Guide (For 12mm)(Stainless Steel Model)	1	
15	T7-3-20101	Assistant Roller Ass'y (For 9mm)	1	
	T7-3-20102	Assistant Roller Ass'y (For 12mm)	1	
16	T6-3-30162	Balance Bar (For 9mm)	1	
	T6-3-30163	Balance Bar (For 12mm)	1	
17	T6-3-30170	Control Lever (For 9mm)	1	
	T6-3-30171	Control Lever (For 12mm)	1	
18	T6-3-30180	Pusher	1	
20	T6-8-10410	Motor Cover	2	
21	T6-1-61211	Motor (M5-1)	2	
22	T6-1-72140	Spring	1	
23	T6-3-10200	Twist Stopper	2	
24	T7-1-20120	Spring	1	
25	T7-1-20130	Collar	1	
26	T7-5-20210	Grommet	1	
27	T7-3-10132	Strap Guide (For 9mm)	1	
	T7-3-10133	Strap Guide (For 12mm)	1	
28	T7-3-10150	Shaft	1	
	T7-3-10150S	Shaft (Stainless Steel Model)	1	
29	T7-3-10170	Bracket	1	
30	T7-3-10180	Tube	1	
31	T7-3-10190	Support	1	
32	T7-3-10200	Sensor Lever	1	
33	T7-3-10210	Bracket	1	

REF. NO.	PART NO.	DESCRIPTION	Q'TY	REMARKS
34	T7-3-20110	Motor Support	1	
35	T7-3-20150	Shaft	1	
36	T7-3-20162	Assistant Roller (For 9mm)	1	
	T7-3-20163	Assistant Roller (For 12mm)	1	
37	T7-3-20170	Accumulator Main Roller	1	
	T7-3-20170S	Accumulator Main Roller (Stainless Steel Model)	1	
38	T7-3-20180	Collar	1	
39	T7-3-20200	Spacer	1	
40	T7-3-20211	Motor Ass'y (M3)	1	
41	LA-50057	Label	2	
42	T6-6-30200	Earth Plate (3P)	1	
43	TB-223	Washer	1	
44	T6-3-10130	Accumulator Adjusting Pin	2	
45	TF-006	Micro Switch (LS4)	1	
46	TF-007	Micro Switch (LS5)	1	
47	MV-1-71120	Bolt	1	
48	T6-3-30220	Twist	1	
50	BR605ZZ	Bearing, 605ZZ (For 9mm)	4	
		Bearing, 605ZZ (For 12mm)	6	
51	BR608ZZ	Bearing, 608ZZ	2	
52	BR6900ZZ	Bearing, 6900ZZ	2	
53	KYA050520	Key, 5×5×20	1	
54	MB1010	Metal Bushing, 1010	2	
55	HBS0416N	HBS, M4×16 (N)	3	
56	HBS0425N	HBS, M4×25 (N)	2	
57	HBS0508N	HBS, M5×8 (N)	8	
58	HBS0512N	HBS, M5×12 (N)	6	
59	HBS0608N	HBS, M6×8 (N)	3	
60	HBS0612N	HBS, M6×12 (N)	1	
61	HBS0616N	HBS, M6×16 (N)	1	
62	HBS0616N	HBS, M6×16 (N)(For 9mm)	3	
	HBS0620N	HBS, M6×20 (N)(For 12mm)	3	
63	HBS0516N	HBS, M5×16 (N)	1	
64	HBS0530N	HBS, M5×30 (N)	2	

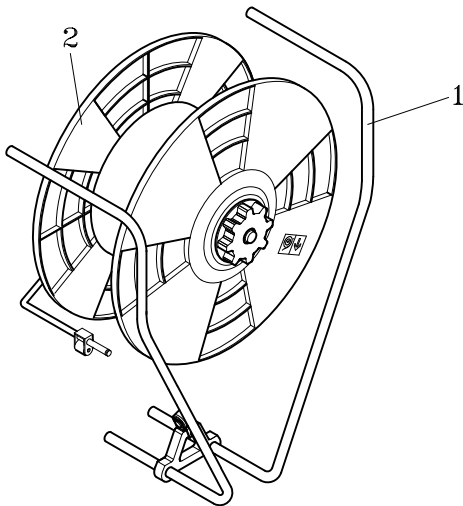


**ACCUMULATOR BOX GROUP**  
**(For TP-601L)**

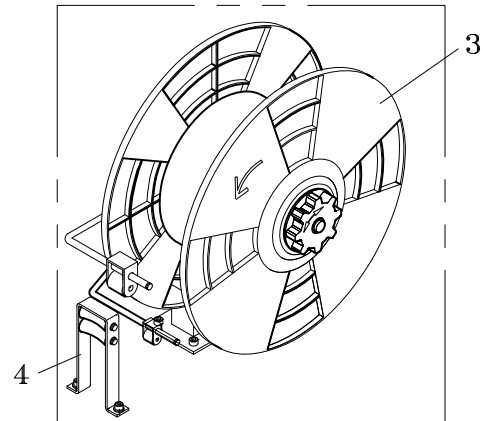
REF. NO.	PART NO.	DESCRIPTION	Q'TY	REMARKS
65	HBS0630N	HBS, M6×30 (N)	2	
68	FMS0310	FMS, M3×10	8	
69	FMS0410	FMS, M4×10	4	
70	FMS0510	FMS, M5×10	4	
71	PMS0316	PMS, M3×16	5	
72	TMS0408	TMS, M4×8	4	
75	HN03	HN, M3	1	
76	HN05	HN, M5	2	
77	HN08	HN, M8	3	
78	HN04	HN, M4	2	
79	HSS0405GN	HSS, M4×5 (G)(N)	5	
	HSS0405S	HSS, M4×5 (Stainless Steel Model)	5	
80	HSS0508GN	HSS, M5×8 (G)(N)	4	
81	HSS0610GN	HSS, M6×10 (G)(N)	2	
82	HBS0412N	HBS, M4×12 (N)	3	
84	PW04	PW, M4	5	
85	PW05	PW, M5	10	
86	PW06A	PW, M6 (A)	8	
87	SW03	SW, M3	5	
88	SW04	SW, M4	8	
89	SW05	SW, M5	17	
90	SW06	SW, M6	8	
91	SW08	SW, M8	1	
92	PW08A	PW, M8 (A)	1	

## REEL UNIT

**T6-4-90000**  
**T6-4-90002**



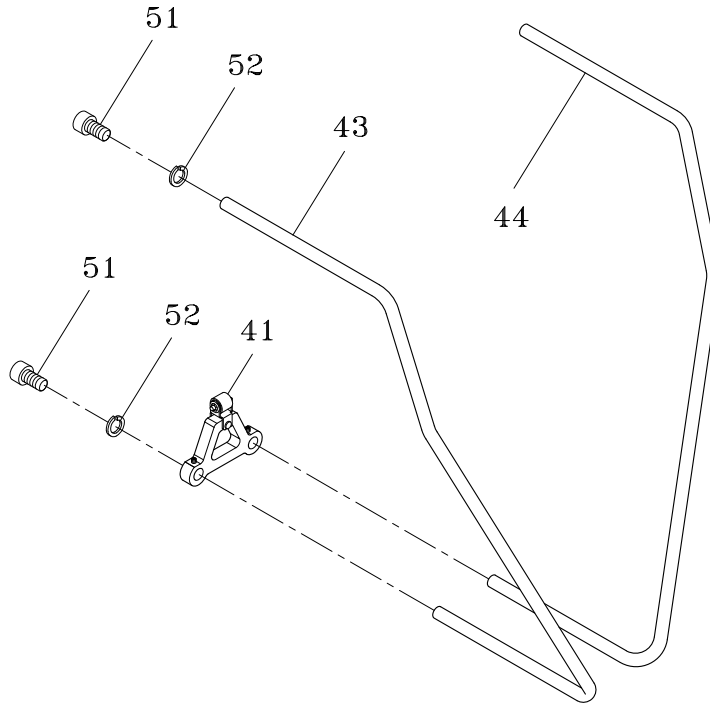
T6-4-90000



T6-4-90002

REF. NO.	PART NO.	DESCRIPTION	Q'TY	REMARKS
	T6-4-90000	Reel Unit (For TP-601D)	1	
	T6-4-90000S	Reel Unit (For TP-601D) (Stainless Steel Model)	1	
	T6-4-90002	Reel Unit (For TP-601L)	1	
	T6-4-90002S	Reel Unit (For TP-601L) (Stainless Steel Model)	1	
1	T6-4-10000	Reel Guard Group (For TP-601D)	1	SEE PAGE 60
	T6-4-10000S	Reel Guard Group (For TP-601D) (Stainless Steel Model)	1	SEE PAGE 60
2	T6-4-20000	Reel Control Group (For 200mm, TP-601D)	1	SEE PAGE 62
	T6-4-20000S	Reel Control Group (For 200mm, TP-601D)(Stainless Steel Model)	1	SEE PAGE 62
	T6-4-20007	Reel Control Group (For 280mm, TP-601D)(Option)	1	SEE PAGE 62
	T6-4-20007S	Reel Control Group (For 280mm, TP-601D)(Stainless Steel Model)(Option)	1	SEE PAGE 62
3	T6-4-30000	Reel Control Group (For 200mm, TP-601L)	1	SEE PAGE 67
	T6-4-30000S	Reel Control Group (For 200mm, TP-601L) (Stainless Steel Model)	1	SEE PAGE 67
	T6-4-30001	Reel Control Group (For 280mm, TP-601L) (Option)	1	SEE PAGE 67
	T6-4-30001S	Reel Control Group (For 280mm, TP-601L) (Stainless Steel Model)(Option)	1	SEE PAGE 67
4	T6-4-20702	Roller Bracket Ass'y (For TP-601L)	1	SEE PAGE 69
	T6-4-20702S	Roller Bracket Ass'y (For TP-601L) (Stainless Steel Model)	1	SEE PAGE 69

**REEL GUARD GROUP  
(For TP-601D)**

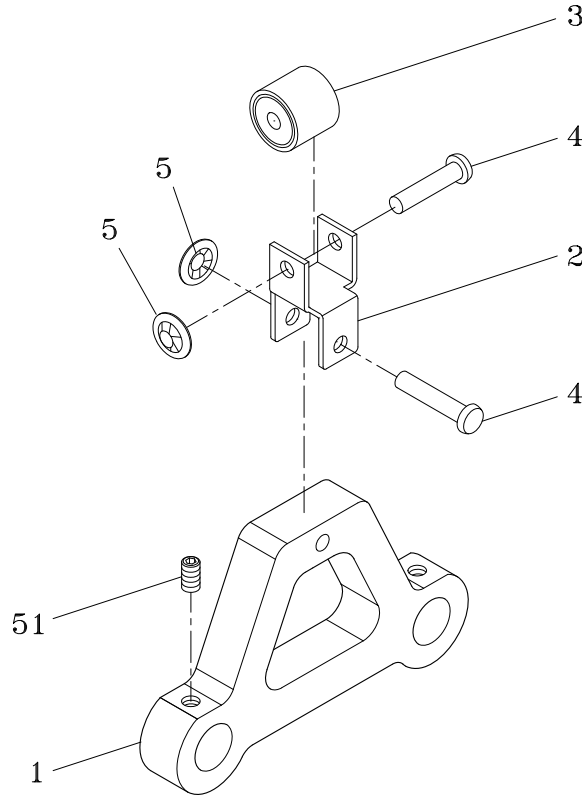


REF. NO.	PART NO.	DESCRIPTION	Q'TY	REMARKS
	T6-4-10000	Reel Guard Group	1	
	T6-4-10000S	Reel Guard Group (Stainless Steel Model)	1	
41	T6-4-11000	Free Angle Bracket Holder Ass'y	1	SEE PAGE 61
	T6-4-11000S	Free Angle Bracket Holder Ass'y (Stainless Steel Model)	1	SEE PAGE 61
43	T6-4-10530	Reel Guard (Front)	1	
	T6-4-10530S	Reel Guard (Front)(Stainless Steel Model)	1	
44	T6-4-10540	Reel Guard (Rear)	1	
	T6-4-10540S	Reel Guard (Rear)(Stainless Steel Model)	1	
51	HBS1020	HBS, M10×20	4	
	HBS1020S	HBS, M10×20 (Stainless Steel Model)	4	
52	SW10	SW, M10	4	
	SW10S	SW, M10 (Stainless Steel Model)	4	

4-1-1

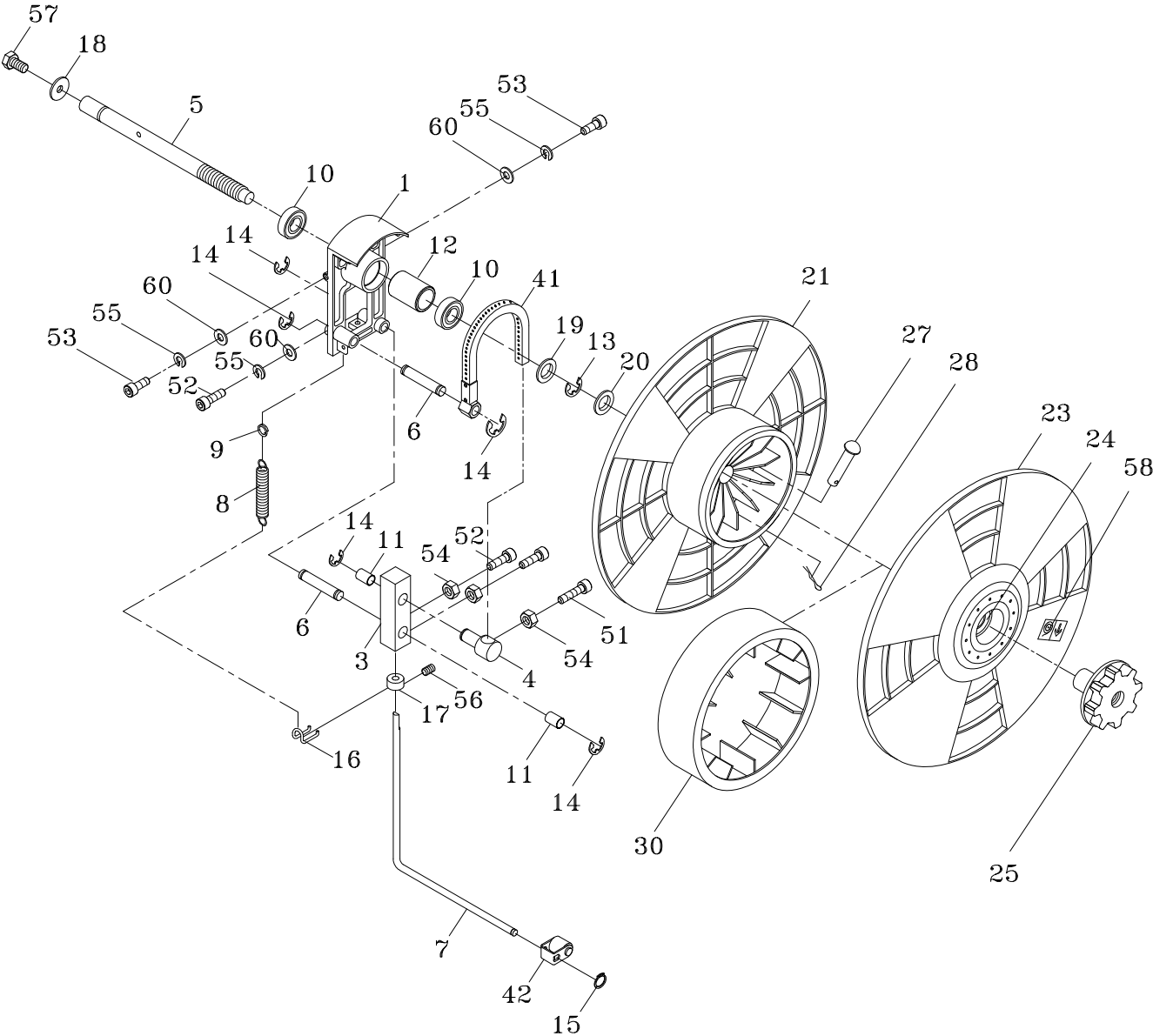
**FREE ANGLE BRACKET  
HOLDER ASS'Y  
(For TP-601D)**

**T6-4-11000**



REF. NO.	PART NO.	DESCRIPTION	Q'TY	REMARKS
	T6-4-11000	Free Angle Bracket Holder Ass'y	1	
	T6-4-11000S	Free Angle Bracket Holder Ass'y (Stainless Steel Model)	1	
1	T6-4-11110	Free Angle Bracket Holder	1	
2	T6-4-11120	Free Angle Roller Bracket	1	
3	T6-4-11130	Strap Guide Roller	1	
4	T6-4-11140	Rivet, Ø6×30	2	
	T6-4-11140S	Rivet, Ø6×30 (Stainless Steel Model)	2	
5	PN06	PN, Ø6	2	
	PN06S	PN, Ø6 (Stainless Steel Model)	2	
51	HSS0610G	HSS, M6×10 (G)	2	
	HSS0610S	HSS, M6×10 (Stainless Steel Model)	2	


**REEL CONTROL GROUP  
(For TP-601D)**



**4-2****REEL CONTROL GROUP  
(For TP-601D)****T6-4-20000  
T6-4-20007**

REF. NO.	PART NO.	DESCRIPTION	Q'TY	REMARKS
	T6-4-20000	Reel Control Group (For 200mm)(For TP-601D)	1	
	T6-4-20000S	Reel Control Group (For 200mm)(For TP-601D)	1	
	T6-4-20007	Reel Control Group (For 280mm) (For TP-601D)(Option)	1	
	T6-4-20007S	Reel Control Group (For 280mm)(For TP-601D)(Stainless Steel Model) (Option)	1	
1	T6-4-20110	Reel Unit Base	1	
3	T6-4-20130	Brake Tension Holder	1	
4	T6-4-20140	Brake Belt Tightener	1	
	T6-4-20140S	Brake Belt Tightener (Stainless Steel Model)	1	
5	T6-4-20150	Reel Shaft	1	
	T6-4-20150S	Reel Shaft (Stainless Steel Model)	1	
6	T6-4-20160	Holder Shaft	2	
	T6-4-20160S	Holder Shaft (Stainless Steel Model)	2	
7	T6-4-20170	Reel Brake Arm	1	
	T6-4-20170S	Reel Brake Arm (Stainless Steel Model)	1	
8	T6-4-20180	Brake Tension Arm Spring	1	
	T6-4-20180S	Brake Tension Arm Spring (Stainless Steel Model)	1	
9	T6-4-20190	Brake Tension Spring Ring	1	
10	BR6205ZZ	Bearing, 6205ZZ	2	
11	MB1525	Metal Bushing, 1525	2	
12	T6-4-20310	Collar	1	
13	ER19	Snap Ring, E-19	1	
	ER19S	Snap Ring, E-19 (Stainless Steel Model)	1	
14	ER12	Snap Ring, E-12	5	
	ER12S	Snap Ring, E-12 (Stainless Steel Model)	5	
15	SR08	Stop Ring, S-8	1	
	SR08S	Stop Ring, S-8 (Stainless Steel Model)	1	
16	T6-4-20260	Spring Hook	1	
17	T6-4-20270	Set Block	1	
	T6-4-20270S	Set Block (Stainless Steel Model)	1	

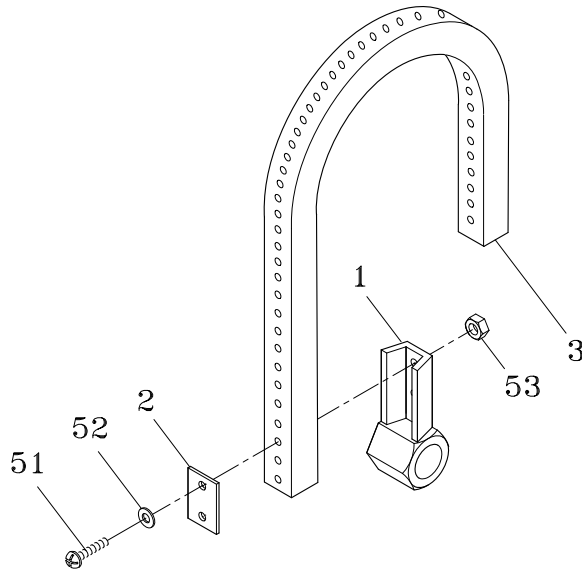
**REEL CONTROL GROUP  
(For TP-601D)**

REF. NO.	PART NO.	DESCRIPTION	Q'TY	REMARKS
18	T6-4-20280	Washer	1	
	T6-4-20280S	Washer (Stainless Steel Model)	1	
19	T6-4-20290	Collar	1	
20	T6-4-20300	Collar	1	
21	TC-01 	Inner Flange	1	
23	TC-014	Outer Flange	1	
24	TC-015	Protector	1	
25	TC-016	Reel Nut Handle	1	
27	TC-020	Pin	1	
28	TC-021	Split Pin	1	
30	TC-075	Center Drum (For 280mm)(Option)	1	
41	T6-4-21000	Brake Belt Ass'y	1	SEE PAGE 65
	T6-4-21000S	Brake Belt Ass'y (Stainless Steel Model)	1	SEE PAGE 65
42	T6-4-22000	Free Slide Roller Ass'y	1	SEE PAGE 66
	T6-4-22000S	Free Slide Roller Ass'y (Stainless Steel Model)	1	SEE PAGE 66
51	HBS0625	HBS, M6×25	1	
	HBS0625S	HBS, M6×25 (Stainless Steel Model)	1	
52	HBS0620	HBS, M6×20	3	
	HBS0620S	HBS, M6×20 (Stainless Steel Model)	3	
53	HBS0616	HBS, M6×16	2	
	HBS0616S	HBS, M6×16 (Stainless Steel Model)	2	
54	HN06	HN, M6	3	
	HN06S	HN, M6 (Stainless Steel Model)	3	
55	SW06	SW, M6	3	
	SW06S	SW, M6 (Stainless Steel Model)	3	
56	HSS0606G	HSS, M6×6 (G)	1	
	HSS0606S	HSS, M6×6 (Stainless Steel Model)	1	
57	HB0816	HB, M8×16	1	
	HB0816S	HB, M8×16 (Stainless Steel Model)	1	
58	LA-31010	Label	1	
60	PW06A	PW, M6 (A)	3	
	PW06AS	PW, M6 (A)(Stainless Steel Model)	3	

4-2-1

**BRAKE BELT ASS'Y  
(For TP-601D)**

**T6-4-21000**

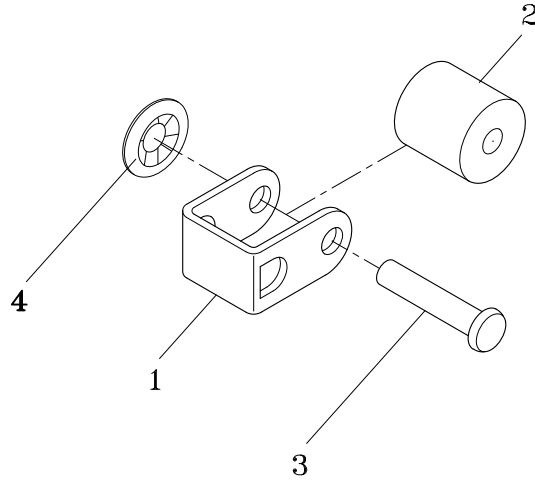


REF. NO.	PART NO.	DESCRIPTION	Q'TY	REMARKS
1	T6-4-21000	Brake Belt Ass'y	1	
	T6-4-21000S	Brake Belt Ass'y (Stainless Steel Model)	1	
	T6-4-21110	Brake Belt Holder	1	
2	T6-4-21110S	Brake Belt Holder (Stainless Steel Model)	1	
	T6-4-21120	Brake Holder Plate	1	
3	T6-4-21120S	Brake Holder Plate (Stainless Steel Model)	1	
	T6-4-21130	Brake V-Belt	1	
51	PMS0420	PMS, M4×20	2	
	PMS0420S	PMS, M4×20 (Stainless Steel Model)	2	
52	PW04	PW, M4	2	
	PW04S	PW, M4 (Stainless Steel Model)	2	
53	HN04	HN, M4	2	
	HN04S	HN, M4 (Stainless Steel Model)	2	



**4-2-2**

**FREE SLIDE ROLLER ASS'Y T6-4-22000  
(For TP-601D)**

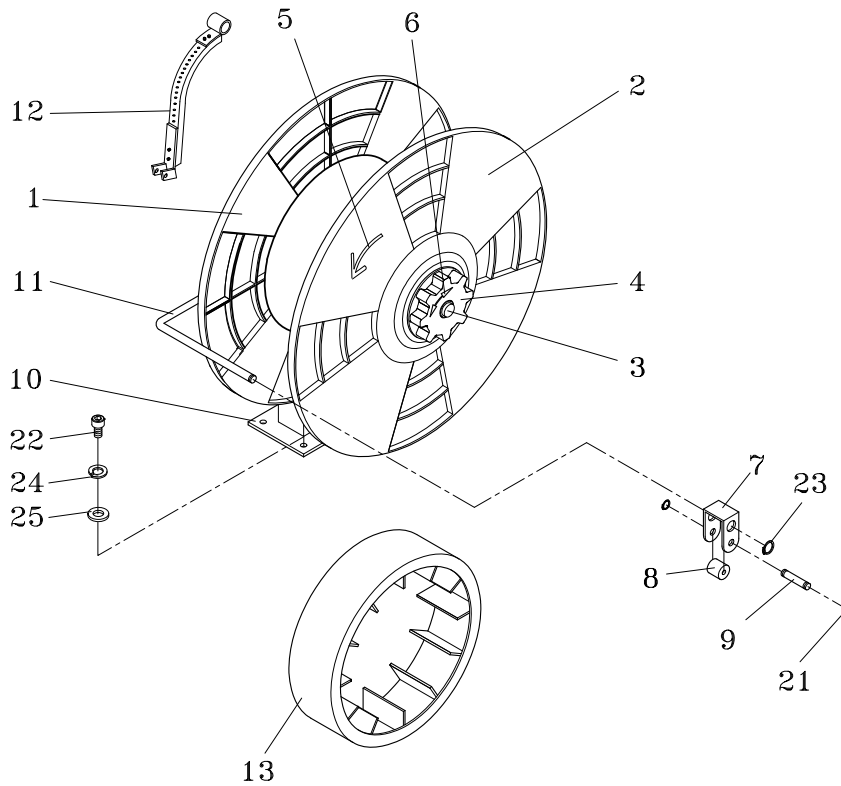


REF. NO.	PART NO.	DESCRIPTION	Q'TY	REMARKS
	T6-4-22000	Free Slide Roller Ass'y	1	
	T6-4-22000S	Free Slide Roller Ass'y (Stainless Steel Model)	1	
1	T6-4-22110	Free Slide Roller Bracket	1	
	T6-4-22110S	Free Slide Roller Bracket (Stainless Steel Model)	1	
2	TE-028	Roller	1	
3	T6-4-11140	Rivet, Ø6×30	1	
	T6-4-11140S	Rivet, Ø6×30 (Stainless Steel Model)	1	
4	PN06	PN, Ø6	1	
	PN06S	PN, Ø6 (Stainless Steel Model)	1	

4-3

**REEL CONROL GROUP  
(For TP-601L)**

**T6-4-30000  
T6-4-30001**

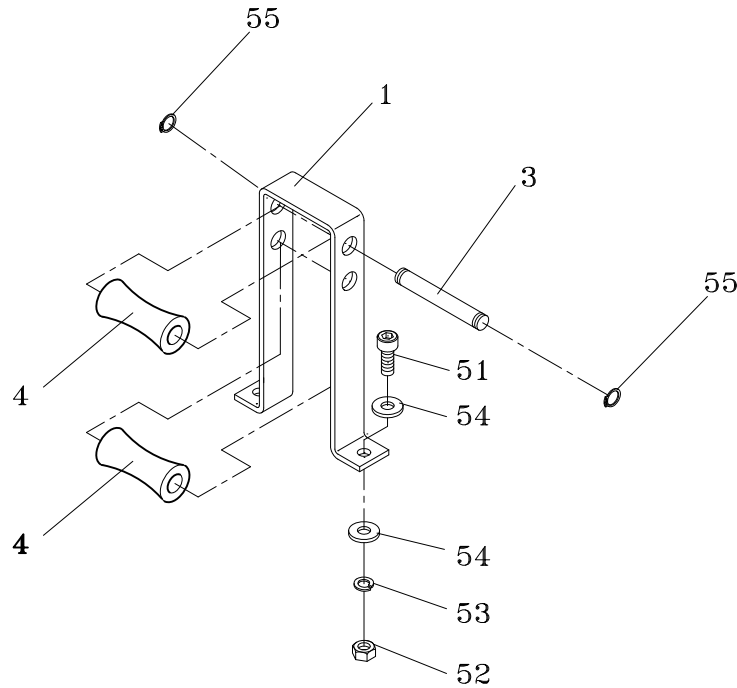


REF. NO.	PART NO.	DESCRIPTION	Q'TY	REMARKS
	T6-4-30000	Reel Conrol Group (For 200mm, TP-601L)	1	
	T6-4-30000S	Reel Conrol Group (For 200mm, TP-601L) (Stainless Steel Model)	1	
	T6-4-30001	Reel Conrol Group (For 280mm, TP-601L)	1	
	T6-4-30001S	Reel Conrol Group (For 280mm, TP-601L) (Stainless Steel Model)	1	
1	TC-013	Inner Flange	1	
2	TC-014	Outer Flange	1	
3	TD-003	Reel Shaft	1	
	TD-003S	Reel Shaft (Stainless Steel Model)	1	
4	TD-016	Reel Nut Handle (LH)	1	
5	LA-30200	Label	1	
6	LA-30210	Label	1	
7	TE-027	Roller Holder	1	
	TE-027S	Roller Holder (Stainless Steel Model)	1	
8	TE-028	Roller	1	
9	TE-029	Pin	1	
	TE-029S	Pin (Stainless Steel Model)	1	

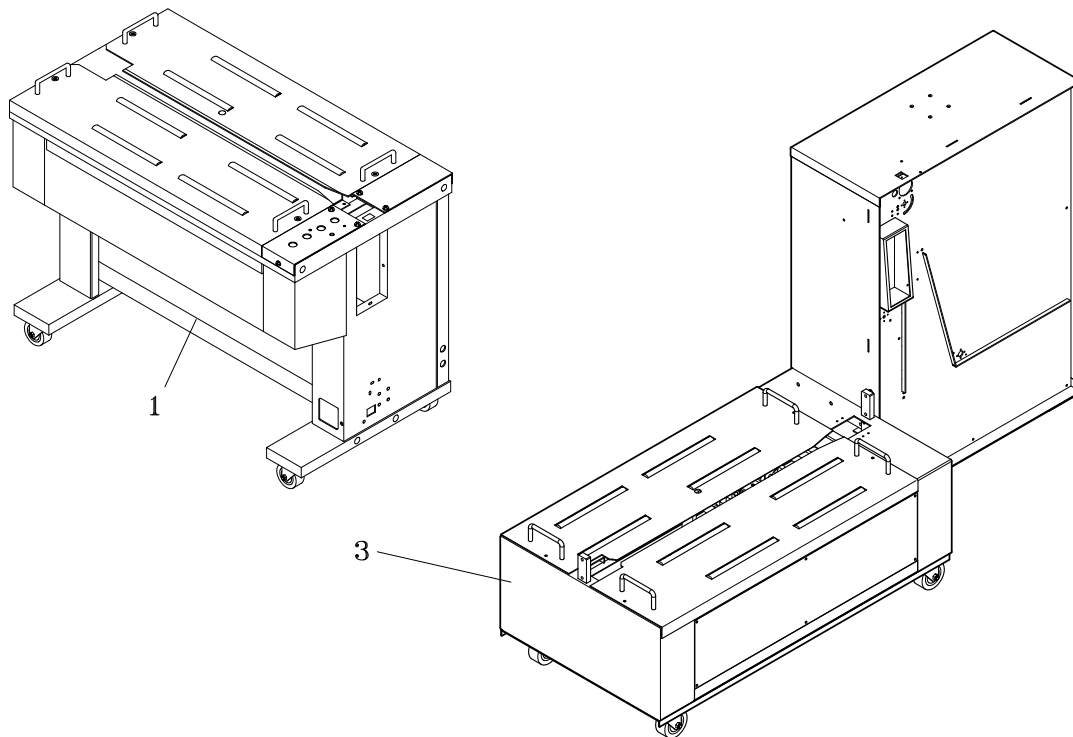
**4-3****REEL CONTROL GROUP  
(For TP-601L)****T6-4-30000  
T6-4-30001**

REF. NO.	PART NO.	DESCRIPTION	Q'TY	REMARKS
10	TL-012	Reel Support	1	
	TL-012S	Reel Support (Stainless Steel Model)	1	
11	TL-021	Brake Arm	1	
	TL-021S	Brake Arm (Stainless Steel Model)	1	
12	TL-030	Brake Lining	1	
13	TC-075	Center Drum (For 280mm)(Option)	1	
21	ER04	Snap Ring, E-4	2	
	ER04S	Snap Ring, E-4 (Stainless Steel Model)	2	
22	HBS0820	HBS, M8×20	4	
	HBS0820S	HBS, M8×20 (Stainless Steel Model)	4	
23	SR10	Stop Ring, S-10	2	
	SR10S	Stop Ring, S-10 (Stainless Steel Model)	2	
24	SW08	SW, M8	4	
	SW08S	SW, M8 (Stainless Steel Model)	4	
25	PW08A	PW, M8 (A)	4	
	PW08AS	PW, M8 (A)(Stainless Steel Model)	4	

**ROLLER BRACKET ASS'Y  
(For TP-601L)**



REF. NO.	PART NO.	DESCRIPTION	Q'TY	REMARKS
	T6-4-20702	Roller Bracket Ass'y	1	
	T6-4-20702S	Roller Bracket Ass'y (Stainless Steel Model)	1	
1	T6-4-20730	Bracket	1	
	T6-4-20730S	Bracket (Stainless Steel Model)	1	
3	TD-048	Shaft	2	
	TD-048S	Shaft (Stainless Steel Model)	2	
4	T2-3-10260	Roller	2	
	T2-3-10260S	Roller (Stainless Steel Model)	2	
51	HBS0616	HBS, M6×16	2	
	HBS0616S	HBS, M6×16 (Stainless Steel Model)	2	
52	HN06	HN, M6	2	
	HN06S	HN, M6 (Stainless Steel Model)	2	
53	SW06	SW, M6	2	
	SW06S	SW, M6 (Stainless Steel Model)	2	
54	PW06C	PW, M6 (C)	4	
	PW06CS	PW, M6 (C)(Stainless Steel Model)	4	
55	SR10	Stop Ring, S-10	4	
	SR10S	Stop Ring, S-10 (Stainless Steel Model)	4	



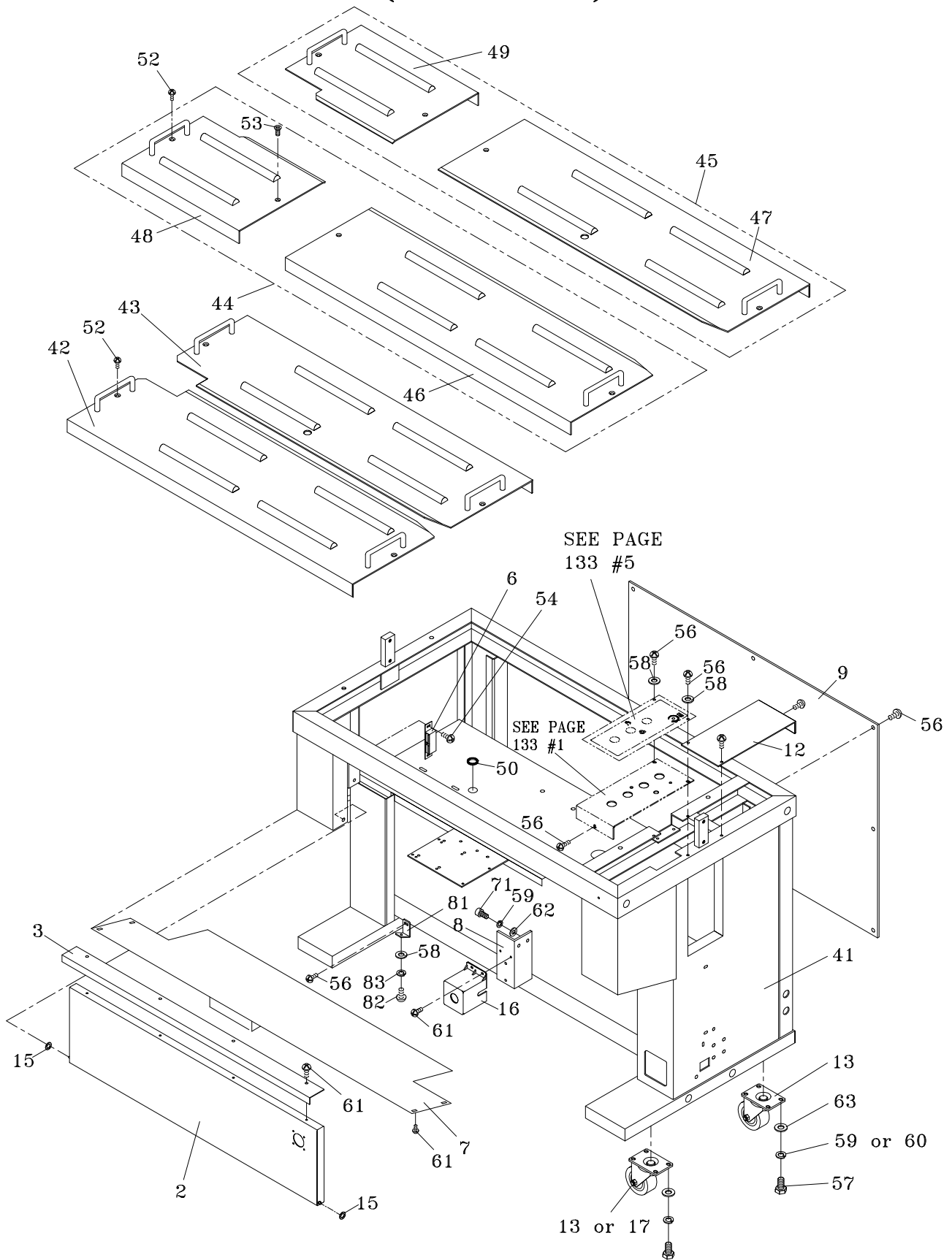
REF. NO.	PART NO.	DESCRIPTION	Q'TY	REMARKS
1	T6-5-10011	Body Frame Group (For TP-601D, 850W)	1	SEE PAGE 72
	T6-5-10011S	Body Frame Group (For TP-601D, 850W) (Stainless Steel Model)	1	SEE PAGE 72
	T6-5-10021	Body Frame Group (For TP-601D, 650W)	1	SEE PAGE 72
	T6-5-10021S	Body Frame Group (For TP-601D, 650W) (Stainless Steel Model)	1	SEE PAGE 72
	T6-5-10022	Body Frame Group (For TP-601D, 1050W)	1	SEE PAGE 72
	T6-5-10022S	Body Frame Group (For TP-601D, 1050W) (Stainless Steel Model)	1	SEE PAGE 72
	T6-5-10023	Body Frame Group (For TP-601D, 1250W)	1	SEE PAGE 72
	T6-5-10023S	Body Frame Group (For TP-601D, 1250W) (Stainless Steel Model)	1	SEE PAGE 72
	T6-5-10024	Body Frame Group (For TP-601D, 1450W)	1	SEE PAGE 72
	T6-5-10024S	Body Frame Group (For TP-601D, 1450W) (Stainless Steel Model)	1	SEE PAGE 72
	T6-5-10025	Body Frame Group (For TP-601D, 1650W)	1	SEE PAGE 72
	T6-5-10025S	Body Frame Group (For TP-601D, 1650W) (Stainless Steel Model)	1	SEE PAGE 72

REF. NO.	PART NO.	DESCRIPTION	Q'TY	REMARKS
3	T6-5-10026	Body Frame Group (For TP-601D, 1850W)	1	SEE PAGE 72
	T6-5-10026S	Body Frame Group (For TP-601D, 1850W)(Stainless Steel Model)	1	SEE PAGE 72
	T6-5-10031	Body Frame Group (For TP-601L, 850W)	1	SEE PAGE 79
	T6-5-10031S	Body Frame Group (For TP-601L, 850W)(Stainless Steel Model)	1	SEE PAGE 79
	T6-5-10032	Body Frame Group (For TP-601L, 1050W)	1	SEE PAGE 79
	T6-5-10032S	Body Frame Group (For TP-601L, 1050W)(Stainless Steel Model)	1	SEE PAGE 79
	T6-5-10033	Body Frame Group (For TP-601L, 1250W)	1	SEE PAGE 79
	T6-5-10033S	Body Frame Group (For TP-601L, 1250W)(Stainless Steel Model)	1	SEE PAGE 79
	T6-5-10034	Body Frame Group (For TP-601L, 1450W)	1	SEE PAGE 79
	T6-5-10034S	Body Frame Group (For TP-601L, 1450W)(Stainless Steel Model)	1	SEE PAGE 79
	T6-5-10035	Body Frame Group (For TP-601L, 1650W)	1	SEE PAGE 79
	T6-5-10035S	Body Frame Group (For TP-601L, 1650W)(Stainless Steel Model)	1	SEE PAGE 79
	T6-5-10036	Body Frame Group (For TP-601L, 1850W)	1	SEE PAGE 79
	T6-5-10036S	Body Frame Group (For TP-601L, 1850W)(Stainless Steel Model)	1	SEE PAGE 79
	T6-5-10039	Body Frame Group (For TP-601L, 650W)	1	SEE PAGE 79
	T6-5-10039S	Body Frame Group (For TP-601L, 650W) (Stainless Steel Model)	1	SEE PAGE 79

5-1

# BODY FRAME GROUP (For TP-601D)

T6-5-10011  
T6-5-10021



**5-1****BODY FRAME GROUP  
(For TP-601D)****T6-5-10011  
T6-5-10021**

REF. NO.	PART NO.	DESCRIPTION	Q'TY	REMARKS
	T6-5-10011	Body Frame Group (For TP-601D, 850W)	1	
	T6-5-10011S	Body Frame Group (For TP-601D, 850W)(Stainless Steel Model)	1	
	T6-5-10021	Body Frame Group (For TP-601D, 650W)	1	
	T6-5-10021S	Body Frame Group (For TP-601D, 650W)(Stainless Steel Model)	1	
	T6-5-10022	Body Frame Group (For TP-601D, 1050W)	1	
	T6-5-10022S	Body Frame Group (For TP-601D, 1050W)(Stainless Steel Model)	1	
	T6-5-10023	Body Frame Group (For TP-601D, 1250W)	1	
	T6-5-10023S	Body Frame Group (For TP-601D, 1250W)(Stainless Steel Model)	1	
	T6-5-10024	Body Frame Group (For TP-601D, 1450W)	1	
	T6-5-10024S	Body Frame Group (For TP-601D, 1450W)(Stainless Steel Model)	1	
	T6-5-10025	Body Frame Group (For TP-601D, 1650W)	1	
	T6-5-10025S	Body Frame Group (For TP-601D, 1650W)(Stainless Steel Model)	1	
	T6-5-10026	Body Frame Group (For TP-601D, 1850W)	1	
	T6-5-10026S	Body Frame Group (For TP-601D, 1850W)(Stainless Steel Model)	1	
2	T6-5-10180	Front Door	1	
	T6-5-10180S	Front Door (Stainless Steel Model)	1	
3	T6-5-10130	Front Door Handle	1	
	T6-5-10130S	Front Door Handle (Stainless Steel Model)	1	



**5-1****BODY FRAME GROUP  
(For TP-601D)****T6-5-10011  
T6-5-10021**

REF. NO.	PART NO.	DESCRIPTION	Q'TY	REMARKS
6	T6-5-10160	Magnet Catch	2	
7	T6-5-40009	Enclosed Bottom Plate	1	
	T6-5-40009S	Enclosed Bottom Plate (Stainless Steel Model)	1	
8	T6-5-40020	Power Switch Bracket	1	
9	T6-5-10190	Rear Plate	1	
	T6-5-10190S	Rear Plate (Stainless Steel Model)	1	
12	T6-5-10220	Rear Cover	1	
	T6-5-10220S	Rear Cover (Stainless Steel Model)	1	
13	T6-5-10230	Caster (Free)(For 650W~1650W)	4	
		Caster (Free)(For 1850W)	6	
	T6-5-10232	Caster (Free)(For 650W~1650W) (Stainless Steel Model)	2	
		Caster (Free)(For 1850W)(Stainless Steel Model)	4	
	T6-5-10231	Caster (Free)(Option)	2	
15	T6-5-10250	Nylon Washer	2	
16	T6-5-10260	Cover	1	
17	T6-5-10270	Caster (Brake)(Option)	2	
	T6-5-10271	Caster (Brake)(Stainless Steel Model)	2	
41	T6-5-13005	Body Frame (For 850W)	1	
	T6-5-13005S	Body Frame (For 850W)(Stainless Steel Model)	1	
	T6-5-13006	Body Frame (For 650W)	1	
	T6-5-13006S	Body Frame (For 650W)(Stainless Steel Model)	1	
	T6-5-13007	Body Frame (For 1250W)	1	
	T6-5-13007S	Body Frame (For 1250W)(Stainless Steel Model)	1	
	T6-5-13008	Body Frame (For 1850W)	1	
	T6-5-13008S	Body Frame (For 1850W)(Stainless Steel Model)	1	

**5-1****BODY FRAME GROUP  
(For TP-601D)****T6-5-10011  
T6-5-10021**

REF. NO.	PART NO.	DESCRIPTION	Q'TY	REMARKS
	T6-5-13010	Body Frame (For 1450W)	1	
	T6-5-13010S	Body Frame (For 1450W)(Stainless Steel Model)	1	
	T6-5-13011	Body Frame (For 1650W)	1	
	T6-5-13011S	Body Frame (For 1650W)(Stainless Steel Model)	1	
	T6-5-13015	Body Frame (For 1050W)	1	
	T6-5-13015S	Body Frame (For 1050W)(Stainless Steel Model)	1	
42	T6-5-11000	Upper Table, Front Ass'y (For 850W)	1	SEE PAGE 86
	T6-5-11000S	Upper Table, Front Ass'y (For 850W) (Stainless Steel Model)	1	SEE PAGE 86
	T6-5-11009	Upper Table, Front Ass'y (For 650W)	1	SEE PAGE 86
	T6-5-11009S	Upper Table, Front Ass'y (For 650W) (Stainless Steel Model)	1	SEE PAGE 86
43	T6-5-12001	Upper Table, Rear Ass'y (For 850W)	1	SEE PAGE 88
	T6-5-12001S	Upper Table, Rear Ass'y (For 850W) (Stainless Steel Model)	1	SEE PAGE 88
	T6-5-12024	Upper Table, Rear Ass'y (For 650W)	1	SEE PAGE 88
	T6-5-12024S	Upper Table, Rear Ass'y (For 650W) (Stainless Steel Model)	1	SEE PAGE 88
44	T6-5-11002	Upper Table, Front Ass'y (For 1050W)	1	
	T6-5-11002S	Upper Table, Front Ass'y (For 1050W) (Stainless Steel Model)	1	
	T6-5-11003	Upper Table, Front Ass'y (For 1250W)	1	
	T6-5-11003S	Upper Table, Front Ass'y (For 1250W) (Stainless Steel Model)	1	
	T6-5-11004	Upper Table, Front Ass'y (For 1450W)	1	
	T6-5-11004S	Upper Table, Front Ass'y (For 1450W) (Stainless Steel Model)	1	
	T6-5-11005	Upper Table, Front Ass'y (For 1650W)	1	
	T6-5-11005S	Upper Table, Front Ass'y (For 1650W) (Stainless Steel Model)	1	
	T6-5-11006	Upper Table, Front Ass'y (For 1850W)	1	
	T6-5-11006S	Upper Table, Front Ass'y (For 1850W) (Stainless Steel Model)	1	

**BODY FRAME GROUP  
(For TP-601D)**

REF. NO.	PART NO.	DESCRIPTION	Q'TY	REMARKS
45	T6-5-12002	Upper Table, Rear Ass'y (For 1050W)	1	
	T6-5-12002S	Upper Table, Rear Ass'y (For 1050W) (Stainless Steel Model)	1	
	T6-5-12003	Upper Table, Rear Ass'y (For 1250W)	1	
	T6-5-12003S	Upper Table, Rear Ass'y (For 1250W) (Stainless Steel Model)	1	
	T6-5-12004	Upper Table, Rear Ass'y (For 1450W)	1	
	T6-5-12004S	Upper Table, Rear Ass'y (For 1450W) (Stainless Steel Model)	1	
	T6-5-12016	Upper Table, Rear Ass'y (For 1650W)	1	
	T6-5-12016S	Upper Table, Rear Ass'y (For 1650W) (Stainless Steel Model)	1	
46	T6-5-10540	Upper Right Table, Front Set (For 1050~1850W)	1	SEE PAGE 90
	T6-5-10540S	Upper Right Table, Front Set (For 1050~1850W)(Stainless Steel Model)	1	SEE PAGE 90
47	T6-5-10581	Upper Right Table, Rear Set (For 1050~1850W)	1	SEE PAGE 91
	T6-5-10581S	Upper Right Table, Rear Set (For 1050~1850W)(Stainless Steel Model)	1	SEE PAGE 91
48	T6-5-10550	Upper Left Table, Front Set (For 1050W)	1	SEE PAGE 92
	T6-5-10550S	Upper Left Table, Front Set (For 1050W)(Stainless Steel Model)	1	SEE PAGE 92
	T6-5-10560	Upper Left Table, Front Set (For 1250W)	1	SEE PAGE 92
	T6-5-10560S	Upper Left Table, Front Set (For 1250W)(Stainless Steel Model)	1	SEE PAGE 92
	T6-5-10570	Upper Left Table, Front Set (For 1450W)	1	SEE PAGE 92
	T6-5-10570S	Upper Left Table, Front Set (For 1450W)(Stainless Steel Model)	1	SEE PAGE 92

**BODY FRAME GROUP**  
**(For TP-601D)**

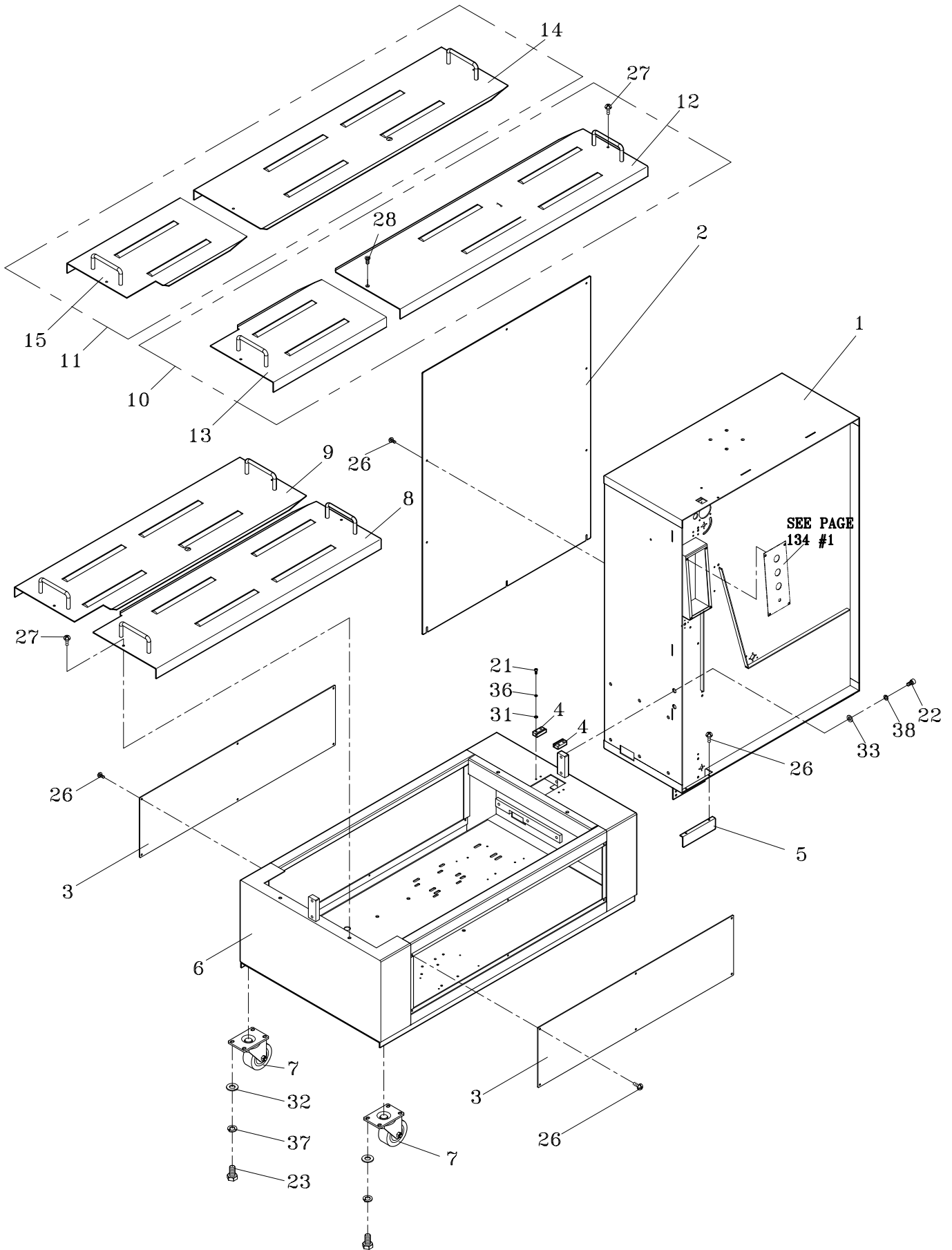
REF. NO.	PART NO.	DESCRIPTION	Q'TY	REMARKS
	T6-5-10571	Upper Left Table, Front Set (For 1650W)	1	SEE PAGE 92
	T6-5-10571S	Upper Left Table, Front Set (For 1650W)(Stainless Steel Model)	1	SEE PAGE 92
	T6-5-10572	Upper Left Table, Front Set (For 1850W)	1	SEE PAGE 92
	T6-5-10572S	Upper Left Table, Front Set (For 1850W)(Stainless Steel Model)	1	SEE PAGE 92
49	T6-5-10590	Upper Left Table, Rear Set (For 1050W)	1	SEE PAGE 95
	T6-5-10590S	Upper Left Table, Rear Set (For 1050W)(Stainless Steel Model)	1	SEE PAGE 95
	T6-5-10600	Upper Left Table, Rear Set (For 1250W)	1	SEE PAGE 95
	T6-5-10600S	Upper Left Table, Rear Set (For 1250W)(Stainless Steel Model)	1	SEE PAGE 95
	T6-5-10850	Upper Left Table, Rear Set (For 1450W)	1	SEE PAGE 95
	T6-5-10850S	Upper Left Table, Rear Set (For 1450W)(Stainless Steel Model)	1	SEE PAGE 95
	T6-5-10851	Upper Left Table, Rear Set (For 1650W)	1	SEE PAGE 95
	T6-5-10851S	Upper Left Table, Rear Set (For 1650W)(Stainless Steel Model)	1	SEE PAGE 95
	T6-5-10852	Upper Left Table, Rear Set (For 1850W)	1	SEE PAGE 95
	T6-5-10852S	Upper Left Table, Rear Set (For 1850W)(Stainless Steel Model)	1	SEE PAGE 95
50	T6-5-10200	Grommet	1	
52	TMS0615S	TMS, M6×15 (SUS)	4	
53	FMS0615S	FMS, M6×15 (SUS)(For 1050~1850W)	4	
54	TMS0308	TMS, M3×8	2	

**5-1****BODY FRAME GROUP  
(For TP-601D)****T6-5-10011  
T6-5-10021**

REF. NO.	PART NO.	DESCRIPTION	Q'TY	REMARKS
56	TMS0508	TMS, M5×8	15	
	TMS0508S	TMS, M5×8 (Stainless Steel Model)	15	
57	HB0616	HB, M6×16	16	
	HB0616S	HB, M6×16 (Stainless Steel Model)	16	
58	PW05	PW, M5	3	
	PW05S	PW, M5 (Stainless Steel Model)	3	
59	SW06	SW, M6	18	
60	SW06S	SW, M6 (Stainless Steel Model)	16	
61	TMS0408	TMS, M4×8	10	
	TMS0408S	TMS, M4×8 (Stainless Steel Model)	10	
62	PW06A	PW, M6 (A)	2	
63	PW06C	PW, M6 (C)	16	
	PW06CS	PW, M6 (C)(Stainless Steel Model)	16	
71	HBS0612	HBS, M6×12	2	
81	T6-5-10910	Bracket	1	
	T6-5-10910S	Bracket (Stainless Steel Model)	1	
82	TMS0512	TMS, M5×12	1	
	TMS0512S	TMS, M5×12 (Stainless Steel Model)	1	
83	SW05	SW, M5	1	
	SW05S	SW, M5 (Stainless Steel Model)	1	

# BODY FRAME GROUP (For TP-601L)

T6-5-10031  
T6-5-10032



**5-2****BODY FRAME GROUP  
(For TP-601L)****T6-5-10031  
T6-5-10032**

REF. NO.	PART NO.	DESCRIPTION	Q'TY	REMARKS
	T6-5-10031	Body Frame Group (For TP-601L, 850W)	1	
	T6-5-10031S	Body Frame Group (For TP-601L, 850W)(Stainless Steel Model)	1	
	T6-5-10032	Body Frame Group (For TP-601L, 1050W)	1	
	T6-5-10032S	Body Frame Group (For TP-601L, 1050W)(Stainless Steel Model)	1	
	T6-5-10033	Body Frame Group (For TP-601L, 1250W)	1	
	T6-5-10033S	Body Frame Group (For TP-601L, 1250W)(Stainless Steel Model)	1	
	T6-5-10034	Body Frame Group (For TP-601L, 1450W)	1	
	T6-5-10034S	Body Frame Group (For TP-601L, 1450W)(Stainless Steel Model)	1	
	T6-5-10035	Body Frame Group (For TP-601L, 1650W)	1	
	T6-5-10035S	Body Frame Group (For TP-601L, 1650W)(Stainless Steel Model)	1	
	T6-5-10036	Body Frame Group (For TP-601L, 1850W)	1	
	T6-5-10036S	Body Frame Group (For TP-601L, 1850W)(Stainless Steel Model)	1	
	T6-5-10039	Body Frame Group (For TP-601L, 650W)	1	
	T6-5-10039S	Body Frame Group (For TP-601L, 650W)(Stainless Steel Model)	1	
1	T6-5-15011	Accumulator Box	1	
	T6-5-15011S	Accumulator Box (Stainless Steel Model)	1	
2	T6-5-15020	Accumulator Box Cover	1	
	T6-5-15020S	Accumulator Box Cover (Stainless Steel Model)	1	

**BODY FRAME GROUP  
(For TP-601L)**

REF. NO.	PART NO.	DESCRIPTION	Q'TY	REMARKS	
3	T6-5-15030	Cover	2		
	T6-5-15030S	Cover (Stainless Steel Model)	2		
4	T6-5-15040	Bracket	2		
5	T6-5-15050	Cover	1		
	T6-5-15050S	Cover (Stainless Steel Model)	1		
6	T6-5-15000	Body Frame (For 850W)	1		
	T6-5-15000S	Body Frame (For 850W)(Stainless Steel Model)	1		
	T6-5-15001	Body Frame (For 1050W)	1		
	T6-5-15001S	Body Frame (For 1050W)(Stainless Steel Model)	1		
	T6-5-15002	Body Frame (For 1250W)	1		
	T6-5-15002S	Body Frame (For 1250W)(Stainless Steel Model)	1		
	T6-5-15003	Body Frame (For 1450W)	1		
	T6-5-15003S	Body Frame (For 1450W)(Stainless Steel Model)	1		
	T6-5-15004	Body Frame (For 1650W)	1		
	T6-5-15004S	Body Frame (For 1650W)(Stainless Steel Model)	1		
	T6-5-15005	Body Frame (For 1850W)	1		
	T6-5-15005S	Body Frame (For 1850W)(Stainless Steel Model)	1		
	T6-5-15008	Body Frame (For 650W)	1		
	T6-5-15008S	Body Frame (For 650W)(Stainless Steel Model)	1		
	7	T6-5-10230	Caster (Free)	7	
		T6-5-10232	Caster (Free)(Stainless Steel Model)	7	
8	T6-5-11000	Upper Table, Front Ass'y (For 850W)	1	SEE PAGE 86	
	T6-5-11000S	Upper Table, Front Ass'y (For 850W) (Stainless Steel Model)	1	SEE PAGE 86	
	T6-5-11009	Upper Table, Front Ass'y (For 650W)	1	SEE PAGE 86	
	T6-5-11009S	Upper Table, Front Ass'y (For 650W) (Stainless Steel Model)	1	SEE PAGE 86	



**BODY FRAME GROUP  
(For TP-601L)**

REF. NO.	PART NO.	DESCRIPTION	Q'TY	REMARKS
9	T6-5-12001	Upper Table, Rear Ass'y (For 850W)	1	SEE PAGE 88
	T6-5-12001S	Upper Table, Rear Ass'y (For 850W) (Stainless Steel Model)	1	SEE PAGE 88
	T6-5-12024	Upper Table, Rear Ass'y (For 650W)	1	SEE PAGE 88
	T6-5-12024S	Upper Table, Rear Ass'y (For 650W) (Stainless Steel Model)	1	SEE PAGE 88
10	T6-5-11002	Upper Table, Front Ass'y (For 1050W)	1	
	T6-5-11002S	Upper Table, Front Ass'y (For 1050W) (Stainless Steel Model)	1	
	T6-5-11003	Upper Table, Front Ass'y (For 1250W)	1	
	T6-5-11003S	Upper Table, Front Ass'y (For 1250W) (Stainless Steel Model)	1	
	T6-5-11004	Upper Table, Front Ass'y (For 1450W)	1	
	T6-5-11004S	Upper Table, Front Ass'y (For 1450W) (Stainless Steel Model)	1	
	T6-5-11005	Upper Table, Front Ass'y (For 1650W)	1	
	T6-5-11005S	Upper Table, Front Ass'y (For 1650W) (Stainless Steel Model)	1	
	T6-5-11006	Upper Table, Front Ass'y (For 1850W)	1	
	T6-5-11006S	Upper Table, Front Ass'y (For 1850W) (Stainless Steel Model)	1	
11	T6-5-12002	Upper Table, Rear Ass'y (For 1050W)	1	
	T6-5-12002S	Upper Table, Rear Ass'y (For 1050W) (Stainless Steel Model)	1	
	T6-5-12003	Upper Table, Rear Ass'y (For 1250W)	1	
	T6-5-12003S	Upper Table, Rear Ass'y (For 1250W) (Stainless Steel Model)	1	
	T6-5-12004	Upper Table, Rear Ass'y (For 1450W)	1	
	T6-5-12004S	Upper Table, Rear Ass'y (For 1450W) (Stainless Steel Model)	1	
	T6-5-12016	Upper Table, Rear Ass'y (For 1650W)	1	
	T6-5-12016S	Upper Table, Rear Ass'y (For 1650W) (Stainless Steel Model)	1	

**BODY FRAME GROUP  
(For TP-601L)**

REF. NO.	PART NO.	DESCRIPTION	Q'TY	REMARKS
	T6-5-12017	Upper Table, Rear Ass'y (For 1850W)	1	
	T6-5-12017S	Upper Table, Rear Ass'y (For 1850W) (Stainless Steel Model)	1	
12	T6-5-10540	Upper Right Table, Front Set (For 1050~1850W)	1	SEE PAGE 90
	T6-5-10540S	Upper Right Table, Front Set (For 1050~1850W)(Stainless Steel Model)	1	SEE PAGE 90
13	T6-5-10550	Upper Left Table, Front Set (For 1050W)	1	SEE PAGE 92
	T6-5-10550S	Upper Left Table, Front Set (For 1050W)(Stainless Steel Model)	1	SEE PAGE 92
	T6-5-10560	Upper Left Table, Front Set (For 1250W)	1	SEE PAGE 92
	T6-5-10560S	Upper Left Table, Front Set (For 1250W)(Stainless Steel Model)	1	SEE PAGE 92
	T6-5-10570	Upper Left Table, Front Set (For 1450W)	1	SEE PAGE 92
	T6-5-10570S	Upper Left Table, Front Set (For 1450W)	1	SEE PAGE 92
	T6-5-10571	Upper Left Table, Front Set (For 1650W)	1	SEE PAGE 92
	T6-5-10571S	Upper Left Table, Front Set (For 1650W)(Stainless Steel Model)	1	SEE PAGE 92
	T6-5-10572	Upper Left Table, Front Set (For 1850W)	1	SEE PAGE 92
	T6-5-10572S	Upper Left Table, Front Set (For 1850W)(Stainless Steel Model)	1	SEE PAGE 92
14	T6-5-10581	Upper Right Table, Rear Set (For 1050~1850W)	1	SEE PAGE 91
	T6-5-10581S	Upper Right Table, Rear Set (For 1050~1850W)(Stainless Steel Model)	1	SEE PAGE 91
15	T6-5-10590	Upper Left Table, Rear Set (For 1050W)	1	SEE PAGE 95
	T6-5-10590S	Upper Left Table, Rear Set (For 1050W)(Stainless Steel Model)	1	SEE PAGE 95

**BODY FRAME GROUP**  
**(For TP-601L)**

REF. NO.	PART NO.	DESCRIPTION	Q'TY	REMARKS
	T6-5-10600	Upper Left Table, Rear Set (For 1250W)	1	SEE PAGE 95
	T6-5-10600S	Upper Left Table, Rear Set (For 1250W)(Stainless Steel Model)	1	SEE PAGE 95
	T6-5-10850	Upper Left Table, Rear Set (For 1450W)	1	SEE PAGE 95
	T6-5-10850S	Upper Left Table, Rear Set (For 1450W)(Stainless Steel Model)	1	SEE PAGE 95
	T6-5-10851	Upper Left Table, Rear Set (For 1650W)	1	SEE PAGE 95
	T6-5-10851S	Upper Left Table, Rear Set (For 1650W)(Stainless Steel Model)	1	SEE PAGE 95
	T6-5-10852	Upper Left Table, Rear Set (For 1850W)	1	SEE PAGE 95
	T6-5-10852S	Upper Left Table, Rear Set (For 1850W)(Stainless Steel Model)	1	SEE PAGE 95
21	HBS0516	HBS, M5×16	4	
	HBS0516S	HBS, M5×16 (Stainless Steel Model)	4	
22	HBS0820	HBS, M8×20	4	
	HBS0820S	HBS, M8×20 (Stainless Steel Model)	4	
23	HB0616	HB, M6×16	28	
	HB0616S	HB, M6×16 (Stainless Steel Model)	28	
26	TMS0508	TMS, M5×8	24	
	TMS0508S	TMS, M5×8 (Stainless Steel Model)	24	
27	TMS0615S	TMS, M6×15 (SUS)	4	
28	FMS0615S	FMS, M6×15 (SUS)(For 1050~1850W)	4	
31	PW04	PW, M4	4	
	PW04S	PW, M4 (Stainless Steel Model)	4	
32	PW06C	PW, M6 (C)	28	
	PW06CS	PW, M6 (C)(Stainless Steel Model)	28	
33	PW08C	PW, M8 (C)	4	
	PW08CS	PW, M8 (C)(Stainless Steel Model)	4	

**5-2**

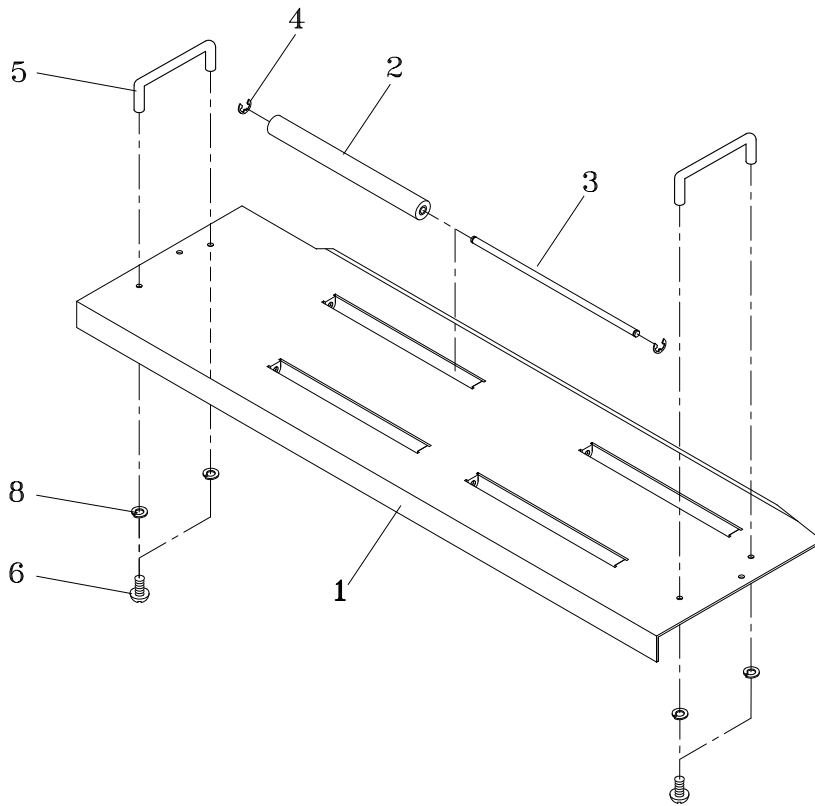
**BODY FRAME GROUP  
(For TP-601L)**

**T6-5-10031  
T6-5-10032**

REF. NO.	PART NO.	DESCRIPTION	Q'TY	REMARKS
36	SW04	SW, M4	4	
	SW04S	SW, M4 (Stainless Steel Model)	4	
37	SW06	SW, M6	28	
	SW06S	SW, M6 (Stainless Steel Model)	28	
38	SW08	SW, M8	4	
	SW08S	SW, M8 (Stainless Steel Model)	4	

**5-2-1**

**UPPER TABLE, FRONT ASS'Y T6-5-11000  
T6-5-11009**



REF. NO.	PART NO.	DESCRIPTION	Q'TY	REMARKS
	T6-5-11000	Upper Table, Front Ass'y (For 850W)	1	
	T6-5-11000S	Upper Table, Front Ass'y (For 850W) (Stainless Steel Model)	1	
	T6-5-11009	Upper Table, Front Ass'y (For 650W)	1	
	T6-5-11009S	Upper Table, Front Ass'y (For 650W) (Stainless Steel Model)	1	
1	T6-5-11110	Upper Table Front (For 850W)	1	
	T6-5-11110S	Upper Table Front (For 850W) (Stainless Steel Model)	1	
	T6-5-11010	Upper Table Front (For 650W)	1	
	T6-5-11010S	Upper Table Front (For 650W) (Stainless Steel Model)	1	
2	T6-5-11120	Table Roller	4	
	T6-5-11121	Table Roller (Stainless Steel Model)	4	
3	T6-5-11130	Table Roller Shaft	4	
	T6-5-11131	Table Roller Shaft (Stainless Steel Model)	4	

5-2-1

UPPER TABLE, FRONT ASS'Y

T6-5-11000

T6-5-11009

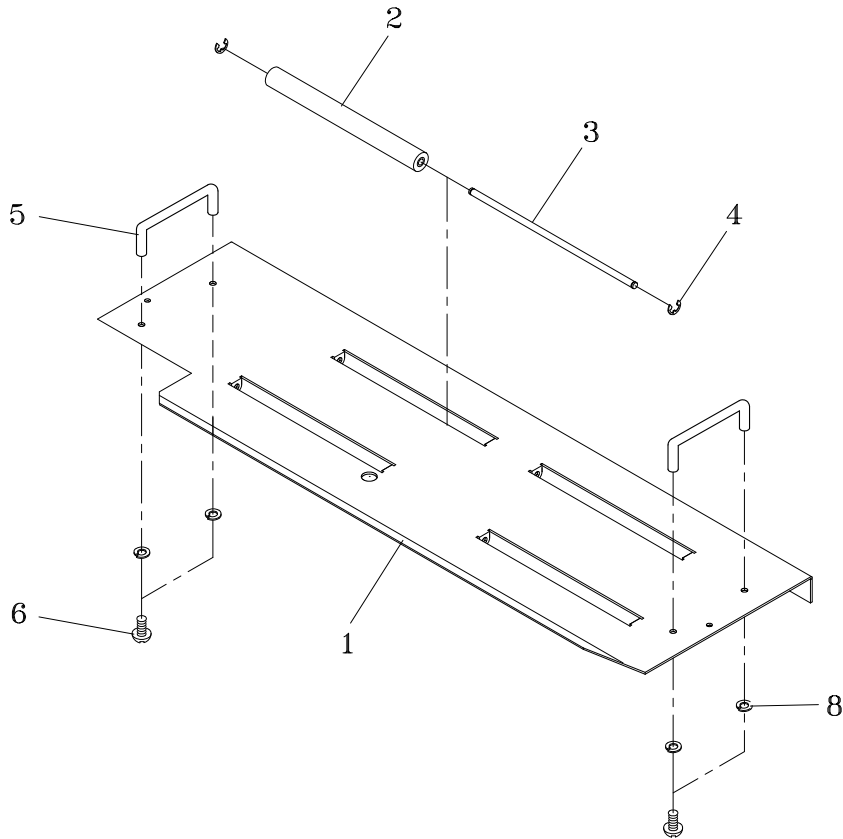
REF. NO.	PART NO.	DESCRIPTION	Q'TY	REMARKS
4	ER07	Snap Ring, E-7	8	
	ER07S	Snap Ring, E-7 (Stainless Steel Model)	8	
5	T6-5-11150	Table Handle	2	
	T6-5-11150S	Table Handle (Stainless Steel Model)	2	
6	TMS0612	TMS, M6×12	4	
	TMS0612S	TMS, M6×12 (Stainless Steel Model)	4	
8	SW06	SW, M6	4	
	SW06S	SW, M6 (Stainless Steel Model)	4	

5-2-2

UPPER TABLE, REAR ASS'Y

T6-5-12001

T6-5-12024



REF. NO.	PART NO.	DESCRIPTION	Q'TY	REMARKS	
1	T6-5-12001	Upper Table, Rear Ass'y (For 850W)	1		
	T6-5-12001S	Upper Table, Rear Ass'y (For 850W) (Stainless Steel Model)	1		
	T6-5-12024	Upper Table, Rear Ass'y (For 650W)	1		
	T6-5-12024S	Upper Table, Rear Ass'y (For 650W) (Stainless Steel Model)	1		
	T6-5-12111	Upper Rear (For 850W)	1		
	T6-5-12111S	Upper Rear (For 850W) (Stainless Steel Model)	1		
	T6-5-12011	Upper Rear (For 650W)	1		
	T6-5-12011S	Upper Rear (For 650W) (Stainless Steel Model)	1		
	2	T6-5-11120	Table Roller	4	
		T6-5-11121	Table Roller (Stainless Steel Model)	4	
3	T6-5-11130	Table Roller Shaft	4		
	T6-5-11131	Table Roller Shaft (Stainless Steel Model)	4		

5-2-2

UPPER TABLE, REAR ASS'Y

T6-5-12001

T6-5-12024

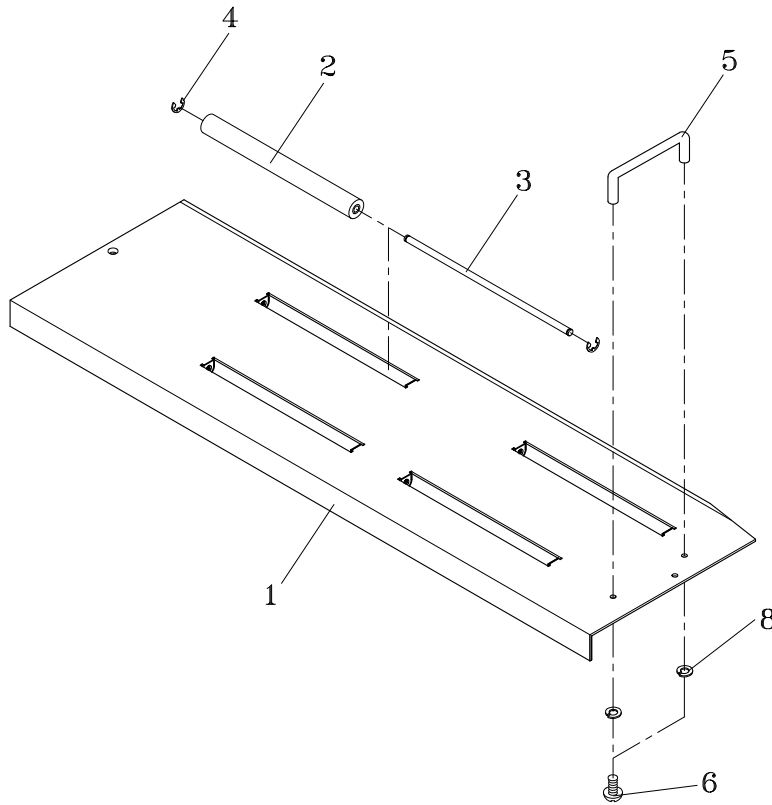
REF. NO.	PART NO.	DESCRIPTION	Q'TY	REMARKS
4	ER07	Snap Ring, E-7	8	
	ER07S	Snap Ring, E-7 (Stainless Steel Model)	8	
5	T6-5-11150	Table Handle	2	
	T6-5-11150S	Table Handle (Stainless Steel Model)	2	
6	TMS0612	TMS, M6×12	4	
	TMS0612S	TMS, M6×12 (Stainless Steel Model)	4	
8	SW06	SW, M6	4	
	SW06S	SW, M6 (Stainless Steel Model)	4	



5-2-3

**UPPER RIGHT TABLE,  
FRONT SET**

**T6-5-10540**

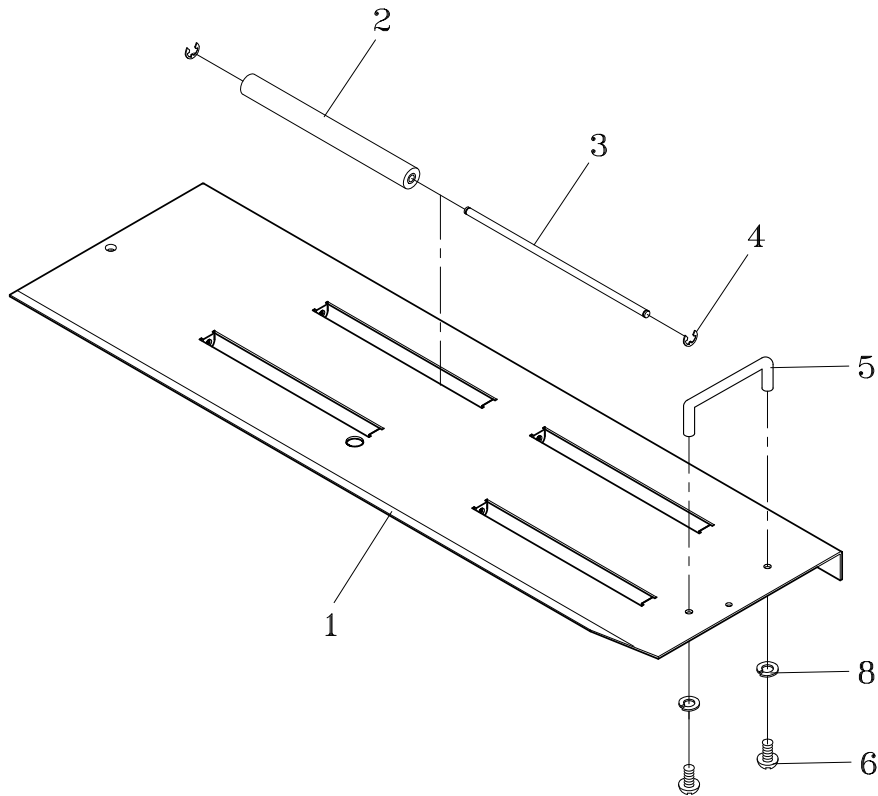


REF. NO.	PART NO.	DESCRIPTION	Q'TY	REMARKS
1	T6-5-10540	Upper Right Table, Front Set (For 1050W~1850W)	1	
	T6-5-10540S	Upper Right Table, Front Set (For 1050W ~1850W)(Stainless Steel Model)	1	
	T6-5-11020	Upper Right Table Front (For 1050W~1850W)	1	
	T6-5-11020S	Upper Right Table Front (For 1050W~ 1850W)(Stainless Steel Model)	1	
2	T6-5-11120	Table Roller	4	
	T6-5-11121	Table Roller (Stainless Steel Model)	4	
3	T6-5-11130	Table Roller Shaft	4	
	T6-5-11131	Table Roller Shaft (Stainless Steel Model)	4	
4	ER07	Snap Ring, E-7	8	
	ER07S	Snap Ring, E-7 (Stainless Steel Model)	8	
5	T6-5-11150	Table Handle	1	
	T6-5-11150S	Table Handle (Stainless Steel Model)	1	
6	TMS0612	TMS, M6×12	2	
	TMS0612S	TMS, M6×12 (Stainless Steel Model)	2	
8	SW06	SW, M6	2	
	SW06S	SW, M6 (Stainless Steel Model)	2	

5-2-4

**UPPER RIGHT TABLE,  
REAR SET**

**T6-5-10581**

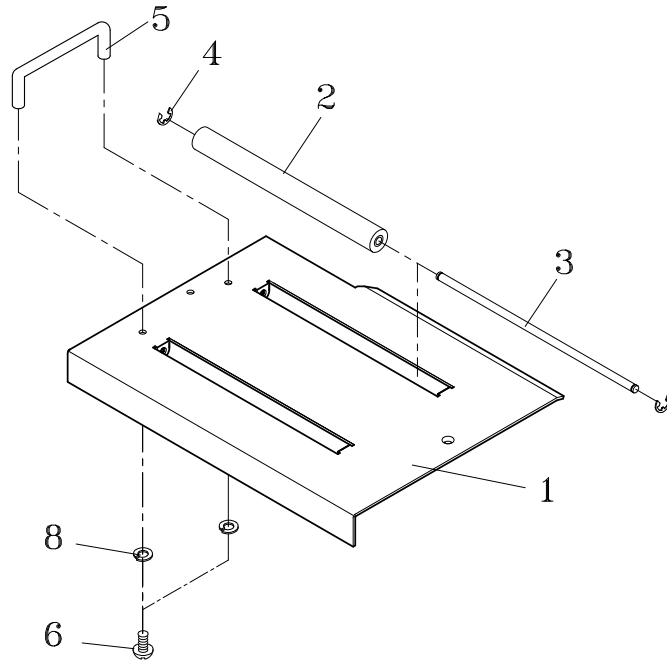


REF. NO.	PART NO.	DESCRIPTION	Q'TY	REMARKS
	T6-5-10581	Upper Right Table, Rear Set (For 1050W~1850W)	1	
	T6-5-10581S	Upper Right Table, Rear Set (For 1050W ~1850W)(Stainless Steel Model)	1	
1	T6-5-12021	Upper Right Table Rear (For 1050W~1850W)	1	
	T6-5-12021S	Upper Right Table Rear (For 1050W~ 1850W) (Stainless Steel Model)	1	
2	T6-5-11120	Table Roller	4	
	T6-5-11121	Table Roller (Stainless Steel Model)	4	
3	T6-5-11130	Table Roller Shaft	4	
	T6-5-11131	Table Roller Shaft (Stainless Steel Model)	4	
4	ER07	Snap Ring, E-7	8	
	ER07S	Snap Ring, E-7 (Stainless Steel Model)	8	
5	T6-5-11150	Table Handle	1	
	T6-5-11150S	Table Handle (Stainless Steel Model)	1	
6	TMS0612	TMS, M6×12	2	
	TMS0612S	TMS, M6×12 (Stainless Steel Model)	2	
8	SW06	SW, M6	2	
	SW06S	SW, M6 (Stainless Steel Model)	2	

5-2-5

**UPPER LEFT TABLE,  
FRONT SET**

**T6-5-10550  
T6-5-10560**



REF. NO.	PART NO.	DESCRIPTION	Q'TY	REMARKS
	T6-5-10550	Upper Left Table, Front Set (For 1050W)	1	
	T6-5-10550S	Upper Left Table, Front Set (For 1050W) (Stainless Steel Model)	1	
	T6-5-10560	Upper Left Table, Front Set (For 1250W)	1	
	T6-5-10560S	Upper Left Table, Front Set (For 1250W) (Stainless Steel Model)	1	
	T6-5-10570	Upper Left Table, Front Set (For 1450W)	1	
	T6-5-10570S	Upper Left Table, Front Set (For 1450W) (Stainless Steel Model)	1	
	T6-5-10571	Upper Left Table, Front Set (For 1650W)	1	
	T6-5-10571S	Upper Left Table, Front Set (For 1650W) (Stainless Steel Model)	1	
	T6-5-10572	Upper Left Table, Front Set (For 1850W)	1	
	T6-5-10572S	Upper Left Table, Front Set (For 1850W) (Stainless Steel Model)	1	

## 5-2-5

**UPPER LEFT TABLE, FRONT SET T6-5-10550  
T6-5-10560**

REF. NO.	PART NO.	DESCRIPTION	Q'TY	REMARKS	
1	T6-5-11030	Upper Left Table Front (For 1050W)	1		
	T6-5-11030S	Upper Left Table Front (For 1050W) (Stainless Steel Model)	1		
	T6-5-11040	Upper Left Table Front (For 1250W)	1		
	T6-5-11040S	Upper Left Table Front (For 1250W) (Stainless Steel Model)	1		
	T6-5-11050	Upper Left Table Front (For 1450W)	1		
	T6-5-11050S	Upper Left Table Front (For 1450W) (Stainless Steel Model)	1		
	T6-5-11060	Upper Left Table Front (For 1650W)	1		
	T6-5-11060S	Upper Left Table Front (For 1650W) (Stainless Steel Model)	1		
	T6-5-11070	Upper Left Table Front (For 1850W)	1		
	T6-5-11070S	Upper Left Table Front (For 1850W) (Stainless Steel Model)	1		
	2	T6-5-11120	Table Roller (For 1250W/1450W)	2	
			Table Roller (For 1650W/1850W)	4	
		T6-5-11121	Table Roller (For 1250W/1450W) (Stainless Steel Model)	2	
			Table Roller (For 1650W/1850W) (Stainless Steel Model)	4	
3	T6-5-11130	Table Roller Shaft (For 1250W/1450W)	2		
		Table Roller Shaft (For 1650W/1850W)	4		
	T6-5-11131	Table Roller Shaft (For 1250W/1450W)(Stainless Steel Model)	2		
		Table Roller Shaft (For 1650W/1850W)(Stainless Steel Model)	4		
4	ER07	Snap Ring, E-7 (For 1250W/1450W)	4		
		Snap Ring, E-7 (For 1650W/1850W)	8		
	ER07S	Snap Ring, E-7 (For 1250W/1450W) (Stainless Steel Model)	4		
		Snap Ring, E-7 (For 1650W/1850W) (Stainless Steel Model)	8		

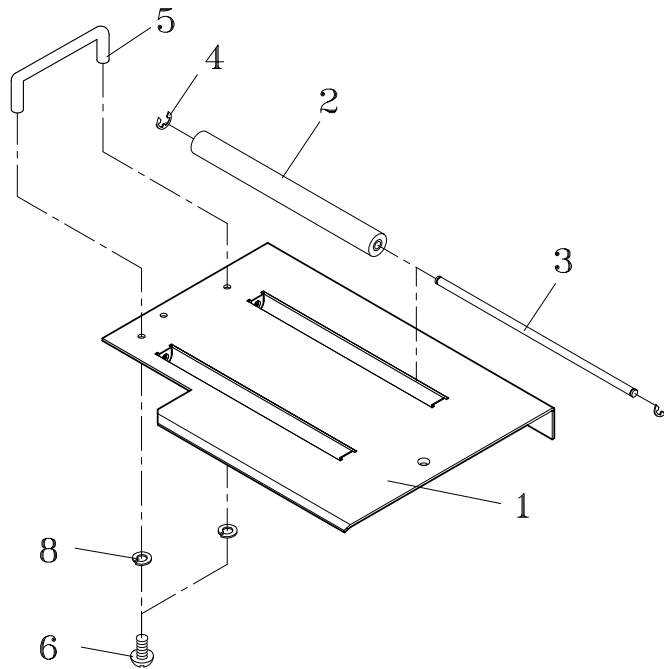
**5-2-5****UPPER LEFT TABLE, FRONT SET T6-5-10550  
T6-5-10560**

REF. NO.	PART NO.	DESCRIPTION	Q'TY	REMARKS
5	T6-5-11150	Table Handle	1	
	T6-5-11150S	Table Handle (Stainless Steel Model)	1	
6	TMS0612	TMS, M6×12	2	
	TMS0612S	TMS, M6×12 (Stainless Steel Model)	2	
8	SW06	SW, M6	2	
	SW06S	SW, M6 (Stainless Steel Model)	2	

5-2-6

**UPPER LEFT TABLE,  
REAR SET**

**T6-5-10590  
T6-5-10600**



REF. NO.	PART NO.	DESCRIPTION	Q'TY	REMARKS
	T6-5-10590	Upper Left Table, Rear Set (For 1050W)	1	
	T6-5-10590S	Upper Left Table, Rear Set (For 1050W) (Stainless Steel Model)	1	
	T6-5-10600	Upper Left Table, Rear Set (For 1250W)	1	
	T6-5-10600S	Upper Left Table, Rear Set (For 1250W) (Stainless Steel Model)	1	
	T6-5-10850	Upper Left Table, Rear Set (For 1450W)	1	
	T6-5-10850S	Upper Left Table, Rear Set (For 1450W) (Stainless Steel Model)	1	
	T6-5-10851	Upper Left Table, Rear Set (For 1650W)	1	
	T6-5-10851S	Upper Left Table, Rear Set (For 1650W) (Stainless Steel Model)	1	
	T6-5-10852	Upper Left Table, Rear Set (For 1850W)	1	
	T6-5-10852S	Upper Left Table, Rear Set (For 1850W) (Stainless Steel Model)	1	

## 5-2-6

## UPPER LEFT TABLE, REAR SET

T6-5-10590

T6-5-10600

REF. NO.	PART NO.	DESCRIPTION	Q'TY	REMARKS	
1	T6-5-12030	Upper Left Table Rear (For 1050W)	1		
	T6-5-12030S	Upper Left Table Rear (For 1050W) (Stainless Steel Model)	1		
	T6-5-12040	Upper Left Table Rear (For 1250W)	1		
	T6-5-12040S	Upper Left Table Rear (For 1250W) (Stainless Steel Model)	1		
	T6-5-12050	Upper Left Table Rear (For 1450W)	1		
	T6-5-12050S	Upper Left Table Rear (For 1450W) (Stainless Steel Model)	1		
	T6-5-12060	Upper Left Table Rear (For 1650W)	1		
	T6-5-12060S	Upper Left Table Rear (For 1650W) (Stainless Steel Model)	1		
	T6-5-12070	Upper Left Table Rear (For 1850W)	1		
	T6-5-12070S	Upper Left Table Rear (For 1850W) (Stainless Steel Model)	1		
	2	T6-5-11120	Table Roller (For 1250W/1450W)	2	
			Table Roller (For 1650W/1850W)	4	
		T6-5-11121	Table Roller (For 1250W/1450W) (Stainless Steel Model)	2	
			Table Roller (For 1650W/1850W) (Stainless Steel Model)	4	
3	T6-5-11130	Table Roller Shaft (For 1250W/1450W)	2		
		Table Roller Shaft (For 1650W/1850W)	4		
	T6-5-11131	Table Roller Shaft (For 1250W/1450W) (Stainless Steel Model)	2		
		Table Roller Shaft (For 1650W/1850W) (Stainless Steel Model)	4		
4	ER07	Snap Ring, E-7 (For 1250W/1450W)	4		
		Snap Ring, E-7 (For 1650W/1850W)	8		
	ER07S	Snap Ring, E-7 (For 1250W/1450W) (Stainless Steel Model)	4		
		Snap Ring, E-7 (For 1650W/1850W) (Stainless Steel Model)	8		
5	T6-5-11150	Table Handle	1		
	T6-5-11150S	Table Handle (Stainless Steel Model)	1		

5-2-6

UPPER LEFT TABLE, REAR SET

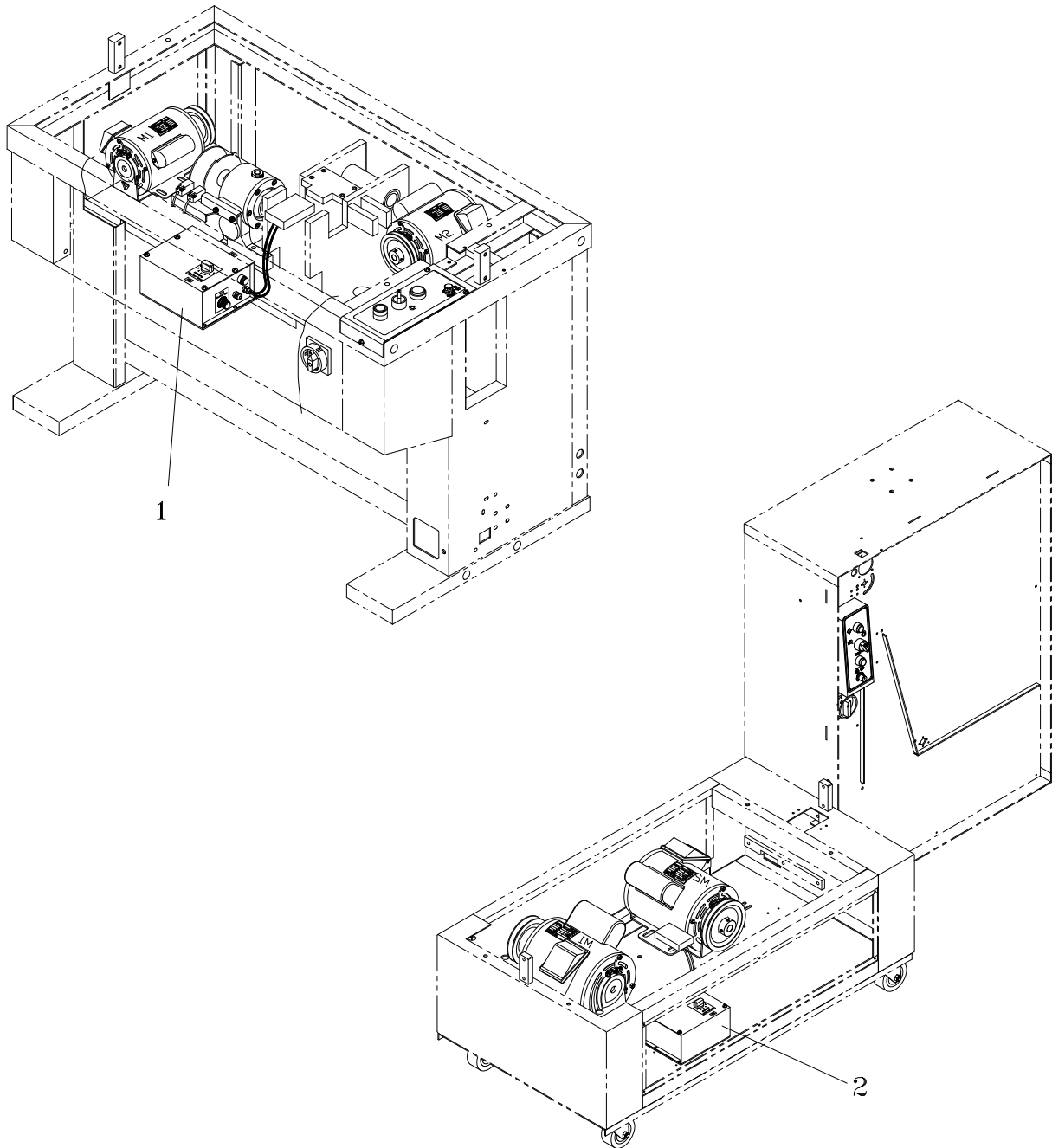
T6-5-10590

T6-5-10600

REF. NO.	PART NO.	DESCRIPTION	Q'TY	REMARKS
6	TMS0612	TMS, M6×12	2	
	TMS0612S	TMS, M6×12 (Stainless Steel Model)	2	
8	SW06	SW, M6	2	
	SW06S	SW, M6 (Stainless Steel Model)	2	



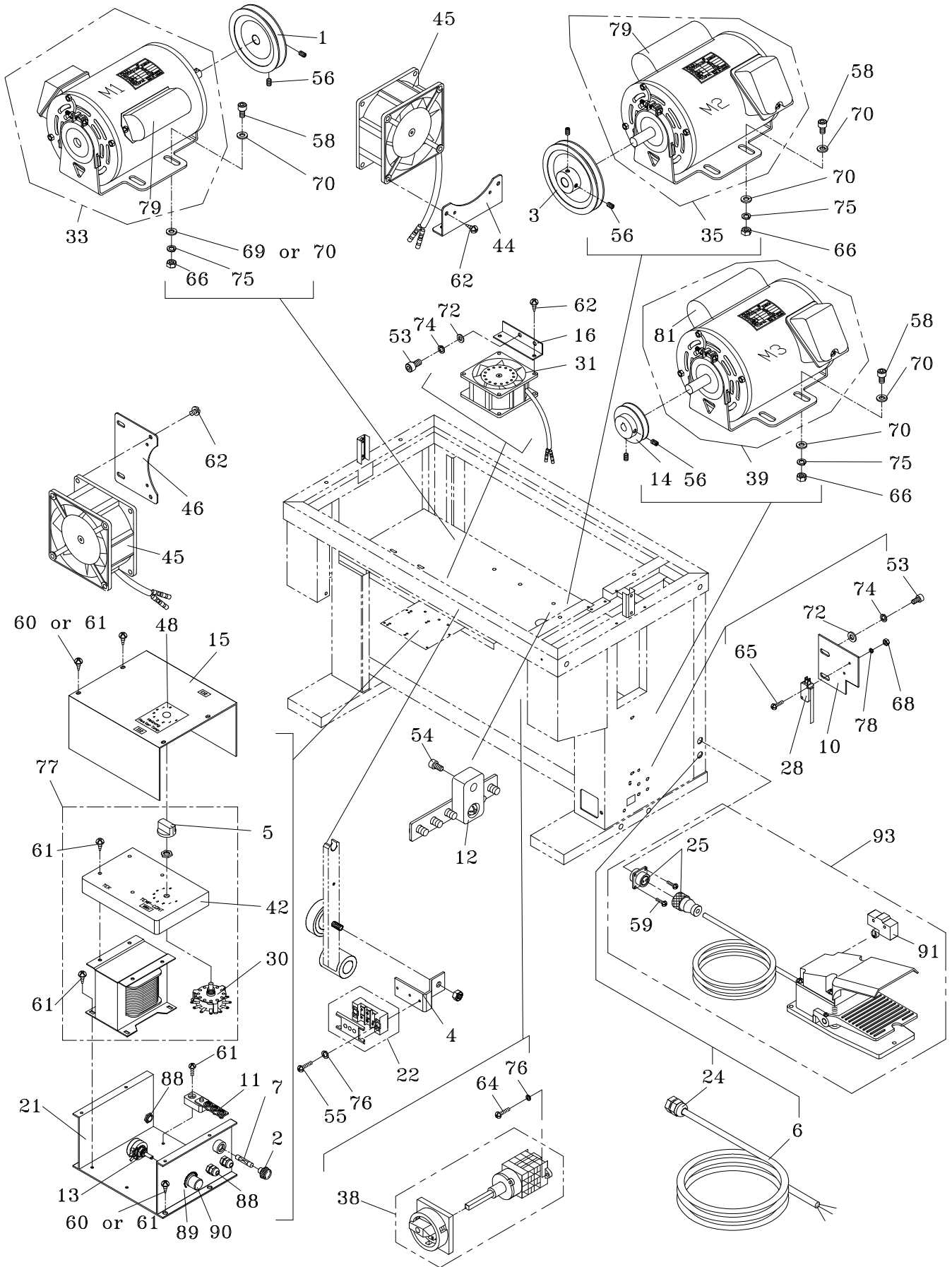
# ELECTRIC CONTROL GROUP T6-6-10004 T6-6-10010



REF. NO.	PART NO.	DESCRIPTION	Q'TY	REMARKS
1	T6-6-10004	Electric Control Group (For TP-601D1, 1PH, 220V)	1	SEE PAGE 100
	T6-6-10004S	Electric Control Group (For TP-601D1, 1PH, 220V)(Stainless Steel Model)	1	SEE PAGE 100
	T6-6-10006	Electric Control Group (For TP-601D1, 1PH, 110V)	1	SEE PAGE 100
	T6-6-10006S	Electric Control Group (For TP-601D1, 1PH, 110V)(Stainless Steel Model)	1	SEE PAGE 100
	T6-6-10007	Electric Control Group (For TP-601D1, 1PH, 240V)	1	SEE PAGE 100
	T6-6-10007S	Electric Control Group (For TP-601D1, 1PH, 240V)(Stainless Steel Model)	1	SEE PAGE 100
	T6-6-10017	Electric Control Group (For TP-601D3, 3PH)	1	SEE PAGE 100
	T6-6-10017S	Electric Control Group (For TP-601D3, 3PH)(Stainless Steel Model)	1	SEE PAGE 100
2	T6-6-10010	Electric Control Group (For TP-601L1, 1PH, 220V)	1	SEE PAGE 105
	T6-6-10010S	Electric Control Group (For TP-601L1, 1PH, 220V)(Stainless Steel Model)	1	SEE PAGE 105
	T6-6-10012	Electric Control Group (For TP-601L1, 1PH, 110V)	1	SEE PAGE 105
	T6-6-10012S	Electric Control Group (For TP-601L1, 1PH, 110V)(Stainless Steel Model)	1	SEE PAGE 105
	T6-6-10013	Electric Control Group (For TP-601L1, 1PH, 240V)	1	SEE PAGE 105
	T6-6-10013S	Electric Control Group (For TP-601L1, 1PH, 240V)(Stainless Steel Model)	1	SEE PAGE 105
	T6-6-10018	Electric Control Group (For TP-601L3, 3PH)	1	SEE PAGE 105
	T6-6-10018S	Electric Control Group (For TP-601L3, 3PH)(Stainless Steel Model)	1	SEE PAGE 105

# 6-1

# ELECTRIC CONTROL GROUP T6-6-10004 (For TP-601D1 / TP-601D3) T6-6-10006



**6-1****ELECTRIC CONTROL GROUP  
(For TP-601D1 / TP-601D3)****T6-6-10004  
T6-6-10006**

REF. NO.	PART NO.	DESCRIPTION	Q'TY	REMARKS
	T6-6-10004	Electric Control Group (For TP-601D1, 1PH, 220V)	1	
	T6-6-10004S	Electric Control Group (For TP-601D1, 1PH, 220V)(Stainless Steel Model)	1	
	T6-6-10006	Electric Control Group (For TP-601D1, 1PH, 110V)	1	
	T6-6-10006S	Electric Control Group (For TP-601D1, 1PH, 110V)(Stainless Steel Model)	1	
	T6-6-10007	Electric Control Group (For TP-601D1, 1PH, 240V)	1	
	T6-6-10007S	Electric Control Group (For TP-601D1, 1PH, 240V)(Stainless Steel Model)	1	
	T6-6-10017	Electric Control Group (For TP-601D3, 3PH)	1	
	T6-6-10017S	Electric Control Group (For TP-601D3, 3PH)(Stainless Steel Model)	1	
1	T6-6-30002	Motor (M1) Pulley	1	
2	TG-013	Fuse Holder	1	
3	T6-6-30136	Motor (M2) Pulley	1	
4	T6-6-10140	Heater Terminal Bracket	1	
5	TF-025	Knob	1	
6	T6-6-10161	Power Cord (Europe Plug)(For 1PH)	1	
	T6-6-10162	Power Cord (America Plug)(For 1PH)	1	
	T6-6-10163	Power Cord (For 3PH)	1	
7	T6-6-40007	Fuse (15A)	1	
10	T6-6-10200	Limit Switch Base	1	
11	T6-6-30200	Earth Plate (3P)	1	
12	T5-4-10310	Earth Plate (5P)	1	
13	T5-4-10231	Variable Resistor (5K)( $\phi$ 3)	1	
14	T6-1-71160	Feed Roller Pulley	1	
15	T6-6-40002	Transformer Box Cover	1	
	T6-6-40002S	Transformer Box Cover (Stainless Steel Model)	1	

**6-1****ELECTRIC CONTROL GROUP  
(For TP-601D1 / TP-601D3)****T6-6-10004  
T6-6-10006**

REF. NO.	PART NO.	DESCRIPTION	Q'TY	REMARKS
16	T6-6-10260	Smoke Fan Bracket	1	
21	T6-6-40006	Transformer Box	1	
	T6-6-40006S	Transformer Box (Stainless Steel Model)	1	
22	T6-6-10320	Heater Terminal	1	
24	T6-6-10340	Cable Gland (PG13.5)	1	
25	T6-6-10350	Connector (Foot Switch)	1	
28	T6-6-10380	Limit Switch (LS4)	1	
30	TF-027	Selector Switch	1	
31	TF-021	Fan (Only 110V)	1	
	TF-021-1	Fan	1	
33	T6-6-30051	Motor (M1)(For 1PH, 110V)	1	
	T6-6-30052	Motor (M1)(For 1PH, 240V)	1	
	T6-6-30060	Motor (M1)(For 1PH, 220V)	1	
	T6-6-10442	Motor (M1)(For 3PH)	1	
35	T6-6-30054	Motor (M2)(For 1PH, 110V)	1	
	T6-6-30055	Motor (M2)(For 1PH, 240V)	1	
	T6-6-30070	Motor (M2)(For 1PH, 220V)	1	
	T6-6-10442	Motor (M2)(For 3PH)	1	
38	T6-6-40040	Main Power Switch	1	
39	T6-6-30057	Motor (M3)(For 1PH, 110V)	1	
	T6-6-30058	Motor (M3)(For 1PH, 240V)	1	
	T6-6-30080	Motor (M3)(For 1PH, 220V)	1	
	T6-6-10442	Motor (M3)(For 3PH)	1	
42	TF-024	Transformer Cover	1	

**6-1****ELECTRIC CONTROL GROUP  
(For TP-601D1 / TP-601D3)****T6-6-10004  
T6-6-10006**

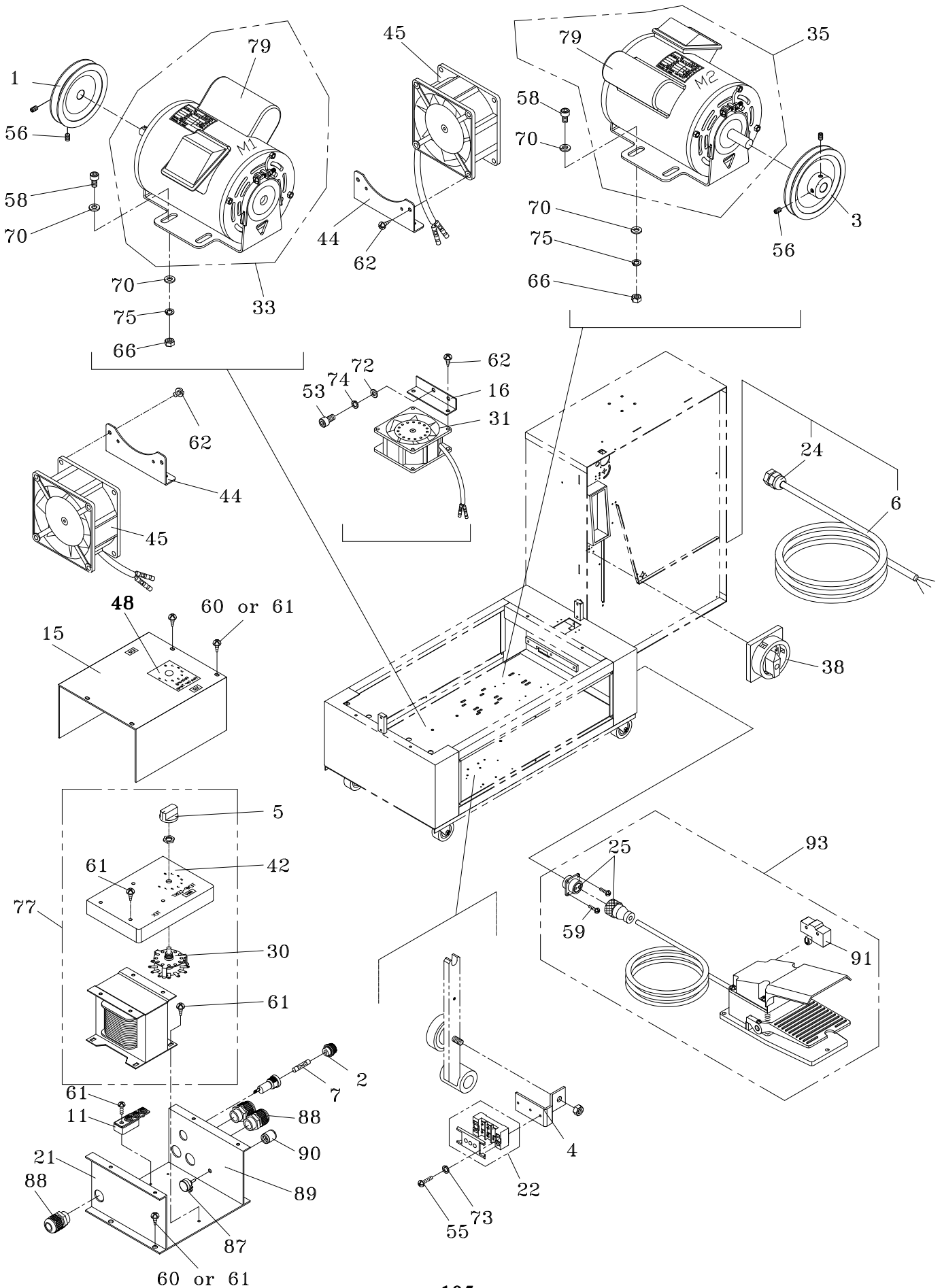
REF. NO.	PART NO.	DESCRIPTION	Q'TY	REMARKS
44	T6-6-10540	Bracket (Only 1PH M2 Fan)	1	
45	T6-6-10550	Fan (For M1/M2 Motor, 1PH, 110V)	2	
	T6-6-10551	Fan (For M1/M2 Motor, 1PH, 220V/230V/240V)	2	
46	T6-6-10560	Bracket (Only 1PH M1 Fan)	1	
48	LA-20140	Label	1	
53	HBS0510	HBS, M5×10	4	
54	HBS0512	HBS, M5×12	1	
55	PMS0410	PMS, M4×10	2	
56	HSS0610G	HSS, M6×10 (G)	4	
58	HBS0620	HBS, M6×20	12	
59	TMS0308	TMS, M3×8	4	
60	TMS0408S	TMS, M4×8 (Stainless Steel Model)	8	
61	TMS0408	TMS, M4×8	17	
62	TMS0508	TMS, M5×8	6	
64	PMS0408	PMS, M4×8	2	
65	PMS0315	PMS, M3×15	2	
66	HN06	HN, M6	12	
68	HN03	HN, M3	2	
69	PW06D	PW, M6 (D)(Only 1PH)	2	
70	PW06C	PW, M6 (C)(For 1PH)	22	
	PW06C	PW, M6 (C)(For 3PH)	24	
72	PW05	PW, M5	4	
74	SW05	SW, M5	3	
75	SW06	SW, M6	12	
76	SW04	SW, M4	4	
77	T6-6-10171	Heater Transformer Ass'y	1	
	T6-6-10172	Heater Transformer Ass'y (Only 110V)	1	
78	SW03	SW, M3	2	

**6-1****ELECTRIC CONTROL GROUP  
(For TP-601D1 / TP-601D3)****T6-6-10004  
T6-6-10006**

REF. NO.	PART NO.	DESCRIPTION	Q'TY	REMARKS
79	T6-6-10893	Motor starting capacitor (For M1/M2, 1PH, 110V)	2	
	T6-6-10894	Motor starting capacitor (For M1/M2, 1PH, 240V)	2	
	T6-6-10895	Motor starting capacitor (For M1/M2, 1PH, 220V)	2	
81	T6-6-10912	Motor starting capacitor (For M3, 1PH, 110V)	1	
	T6-6-10914	Motor starting capacitor (For M3, 1PH, 240V)	1	
	T6-6-10915	Motor starting capacitor (For M3, 1PH, 220V)	1	
88	T6-6-10980	Cable Gland (PG11)	3	
89	LA-20080	Label	1	
90	T5-4-10221	Knob	1	
91	T7-5-20130	Micro Switch	1	
93	T7-6-40001	Pedal Control Set	1	

# 6-2

# ELECTRIC CONTROL GROUP T6-6-10010 (For TP-601L1 / TP-601L3) T6-6-10012





**6-2****ELECTRIC CONTROL GROUP  
(For TP-601L1 / TP-601L3)****T6-6-10010  
T6-6-10012**

REF. NO.	PART NO.	DESCRIPTION	Q'TY	REMARKS
	T6-6-10010	Electric Control Group (For TP-601L1, 1PH, 220V)	1	
	T6-6-10010S	Electric Control Group (For TP-601L1, 1PH, 220V)(Stainless Steel Model)	1	
	T6-6-10012	Electric Control Group (For TP-601L1, 1PH, 110V)	1	
	T6-6-10012S	Electric Control Group (For TP-601L1, 1PH, 110V)(Stainless Steel Model)	1	
	T6-6-10013	Electric Control Group (For TP-601L1, 1PH, 240V)	1	
	T6-6-10013S	Electric Control Group (For TP-601L1, 1PH, 240V)(Stainless Steel Model)	1	
	T6-6-10018	Electric Control Group (For TP-601L3, 3PH)	1	
	T6-6-10018S	Electric Control Group (For TP-601L3, 3PH)(Stainless Steel Model)	1	
1	T6-6-30002	Motor (M1) Pulley	1	
2	TG-013	Fuse Holder	1	
3	T6-6-30136	Motor (M2) Pulley	1	
4	T6-6-10140	Heater Terminal Bracket	1	
5	TF-025	Knob	1	
6	T6-6-10161	Power Cord (Europe Plug)(For 1PH)	1	
	T6-6-10162	Power Cord (America Plug)(For 1PH)	1	
	T6-6-10163	Power Cord (For 3PH)	1	
7	T6-6-40007	Fuse (15A)	1	
11	T6-6-30200	Earth Plate (3P)	1	
15	T6-6-40002	Transformer Box Cover	1	
	T6-6-40002S	Transformer Box Cover (Stainless Steel Model)	1	
16	T6-6-10260	Smoke Fan Bracket	1	

**6-2****ELECTRIC CONTROL GROUP  
(For TP-601L1 / TP-601L3)****T6-6-10010  
T6-6-10012**

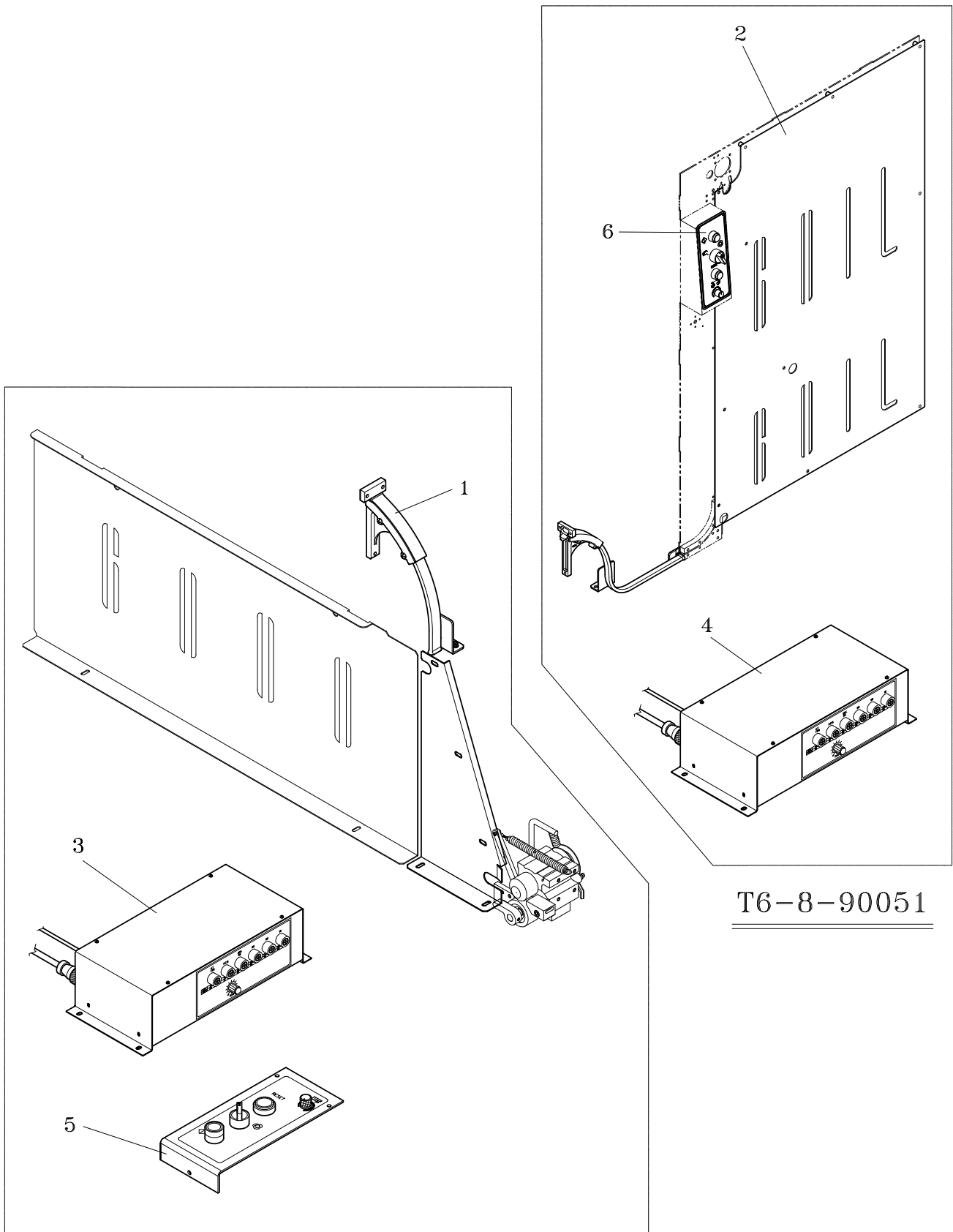
REF. NO.	PART NO.	DESCRIPTION	Q'TY	REMARKS
21	T6-6-40006	Transformer Box	1	
	T6-6-40006S	Transformer Box (Stainless Steel Model)	1	
22	T6-6-10320	Heater Terminal	1	
24	T6-6-10340	Cable Gland (PG13.5)	1	
25	T6-6-10350	Connector (Foot Switch)	1	
30	TF-027	Selector Switch	1	
31	TF-021	Fan (Only 110V)	1	
	TF-021-1	Fan	1	
33	T6-6-30051	Motor (M1)(For 1PH, 110V)	1	
	T6-6-30052	Motor (M1)(For 1PH, 240V)	1	
	T6-6-30060	Motor (M1)(For 1PH, 220V)	1	
	T6-6-10442	Motor (M1)(For 3PH)	1	
35	T6-6-30054	Motor (M2)(For 1PH, 110V)	1	
	T6-6-30055	Motor (M2)(For 1PH, 240V)	1	
	T6-6-30070	Motor (M2)(For 1PH, 220V)	1	
	T6-6-10442	Motor (M2)(For 3PH)	1	
38	T6-6-40011	Main Power Switch	1	
42	TF-024	Transformer Cover	1	
44	T6-6-10540	Bracket (Only 1PH M2 Fan)	2	
45	T6-6-10550	Fan (For M1/M2 Motor, 1PH, 110V)	2	
	T6-6-10551	Fan (For M1/M2 Motor, 1PH, 220V/230V/240V)	2	
48	LA-20140	Label	1	
53	HBS0510	HBS, M5×10	2	
55	PMS0410	PMS, M4×10	2	
56	HSS0610G	HSS, M6×10 (G)	4	

**ELECTRIC CONTROL GROUP**  
**(For TP-601L1 / TP-601L3)**

REF. NO.	PART NO.	DESCRIPTION	Q'TY	REMARKS
58	HBS0620	HBS, M6×20	8	
59	TMS0308	TMS, M3×8	4	
60	TMS0408S	TMS, M4×8 (Stainless Steel Model)	8	
61	TMS0408	TMS, M4×8	17	
62	TMS0508	TMS, M5×8	6	
66	HN06	HN, M6	8	
70	PW06C	PW, M6 (C)	16	
72	PW05	PW, M5	2	
73	SW04	SW, M4	2	
74	SW05	SW, M5	2	
75	SW06	SW, M6	8	
77	T6-6-10171	Heater Transformer Ass'y	1	
	T6-6-10172	Heater Transformer Ass'y (Only 110V)	1	
79	T6-6-10893	Motor starting capacitor (For M1/M2, 1PH, 110V)	2	
	T6-6-10894	Motor starting capacitor (For M1/M2, 1PH, 240V)	2	
	T6-6-10895	Motor starting capacitor (For M1/M2, 1PH, 220V)	2	
87	T5-4-10231	Variable Resistor (5K)( $\phi$ 3)	1	
88	T6-6-10980	Cable Gland (PG11)	3	
89	LA-20080	Label	1	
90	T5-4-10221	Knob	1	
91	T7-5-20130	Micro Switch	1	
93	T7-6-40001	Pedal Control Set	1	

7

# AUTO STRAP FEEDING UNIT T6-8-90021 T6-8-90051



T6-8-90021

T6-8-90051

REF. NO.	PART NO.	DESCRIPTION	Q'TY	REMARKS
	T6-8-90021	Auto Strap Feeding Unit (For TP-601D1, 9mm, 110V)	1	
	T6-8-90021S	Auto Strap Feeding Unit (For TP-601D1, 9mm, 110V) (Stainless Steel Model)	1	
	T6-8-90024	Auto Strap Feeding Unit (For TP-601D1, 9mm, 220V)	1	
	T6-8-90024S	Auto Strap Feeding Unit (For TP-601D1, 9mm, 220V) (Stainless Steel Model)	1	
	T6-8-90025	Auto Strap Feeding Unit (For TP-601D1, 9mm, 240V)	1	
	T6-8-90025S	Auto Strap Feeding Unit (For TP-601D1, 9mm, 240V) (Stainless Steel Model)	1	
	T6-8-90026	Auto Strap Feeding Unit (For TP-601D3, 9mm, 220V)	1	
	T6-8-90026S	Auto Strap Feeding Unit (For TP-601D3, 9mm, 220V)(Stainless Steel Model)	1	
	T6-8-90027	Auto Strap Feeding Unit (For TP-601D3, 9mm, 380V/400V/415V)	1	
	T6-8-90027S	Auto Strap Feeding Unit (For TP-601D3, 9mm, 380V/400V/415V)(Stainless Steel Model)	1	
	T6-8-90031	Auto Strap Feeding Unit (For TP-601D1, 12mm, 110V)	1	
	T6-8-90031S	Auto Strap Feeding Unit (For TP-601D1, 12mm, 110V) (Stainless Steel Model)	1	
	T6-8-90034	Auto Strap Feeding Unit (For TP-601D1, 12mm, 220V)	1	
	T6-8-90034S	Auto Strap Feeding Unit (For TP-601D1, 12mm, 220V) (Stainless Steel Model)	1	

REF. NO.	PART NO.	DESCRIPTION	Q'TY	REMARKS
	T6-8-90035	Auto Strap Feeding Unit (For TP-601D1, 12mm, 240V)	1	
	T6-8-90035S	Auto Strap Feeding Unit (For TP-601D1, 12mm, 240V) (Stainless Steel Model)	1	
	T6-8-90036	Auto Strap Feeding Unit (For TP-601D3, 12mm, 220V)	1	
	T6-8-90036S	Auto Strap Feeding Unit (For TP-601D3, 12mm, 220V)(Stainless Steel Model)	1	
	T6-8-90037	Auto Strap Feeding Unit (For TP-601D3, 12mm, 380V/400V/415V)	1	
	T6-8-90037S	Auto Strap Feeding Unit (For TP-601D3, 12mm, 380V/400V/415V) (Stainless Steel Model)	1	
	T6-8-90051	Auto Strap Feeding Unit (For TP-601L1, 9mm, 110V)	1	
	T6-8-90051S	Auto Strap Feeding Unit (For TP-601L1, 9mm, 110V) (Stainless Steel Model)	1	
	T6-8-90052	Auto Strap Feeding Unit (For TP-601L1, 9mm, 220V)	1	
	T6-8-90052S	Auto Strap Feeding Unit (For TP-601L1, 9mm, 220V) (Stainless Steel Model)	1	
	T6-8-90057	Auto Strap Feeding Unit (For TP-601L1, 9mm, 240V)	1	
	T6-8-90057S	Auto Strap Feeding Unit (For TP-601L1, 9mm, 240V) (Stainless Steel Model)	1	
	T6-8-90059	Auto Strap Feeding Unit (For TP-601L3, 9mm, 220V)	1	
	T6-8-90059S	Auto Strap Feeding Unit (For TP-601L3, 9mm, 220V)(Stainless Steel Model)	1	

REF. NO.	PART NO.	DESCRIPTION	Q'TY	REMARKS
	T6-8-90060	Auto Strap Feeding Unit (For TP-601L3, 9mm, 380V/400V/415V)	1	
	T6-8-90060S	Auto Strap Feeding Unit (For TP-601L3, 9mm, 380V/400V/415V) (Stainless Steel Model)	1	
	T6-8-90054	Auto Strap Feeding Unit (For TP-601L1, 12mm, 110V)	1	
	T6-8-90054S	Auto Strap Feeding Unit (For TP-601L1, 12mm, 110V) (Stainless Steel Model)	1	
	T6-8-90055	Auto Strap Feeding Unit (For TP-601L1, 12mm, 220V)	1	
	T6-8-90055S	Auto Strap Feeding Unit (For TP-601L1, 12mm, 220V) (Stainless Steel Model)	1	
	T6-8-90058	Auto Strap Feeding Unit (For TP-601L1, 12mm, 240V)	1	
	T6-8-90058S	Auto Strap Feeding Unit (For TP-601L1, 12mm, 240V) (Stainless Steel Model)	1	
	T6-8-90079	Auto Strap Feeding Unit (For TP-601L3, 12mm, 220V)	1	
	T6-8-90079S	Auto Strap Feeding Unit (For TP-601L3, 12mm, 220V)(Stainless Steel Model)	1	
	T6-8-90080	Auto Strap Feeding Unit (For TP-601L3, 12mm, 380V/400V/415V)	1	
	T6-8-90080S	Auto Strap Feeding Unit (For TP-601L3, 12mm, 380V/400V/415V) (Stainless Steel Model)	1	
1	T6-8-10000	Auto Strap Feeding Group (For TP-601D, 9mm)	1	SEE PAGE 114
	T6-8-10000S	Auto Strap Feeding Group (For TP-601D, 9mm)(Stainless Steel Model)	1	SEE PAGE 114

REF. NO.	PART NO.	DESCRIPTION	Q'TY	REMARKS
2	T6-8-10001	Auto Strap Feeding Group (For TP-601D, 12mm)	1	SEE PAGE 114
	T6-8-10001S	Auto Strap Feeding Group (For TP-601D, 12mm)(Stainless Steel Model)	1	SEE PAGE 114
	T6-8-10008	Auto Strap Feeding Group (For TP-601L, 9mm)	1	SEE PAGE 117
	T6-8-10008S	Auto Strap Feeding Group (For TP-601L, 9mm)(Stainless Steel Model)	1	SEE PAGE 117
	T6-8-10009	Auto Strap Feeding Group (For TP-601L, 12mm)	1	SEE PAGE 117
	T6-8-10009S	Auto Strap Feeding Group (For TP-601L, 12mm)(Stainless Steel Model)	1	SEE PAGE 117
3	T6-8-20004	Electric Control Group (For TP-601D1, 110V)	1	SEE PAGE 120
	T6-8-20025	Electric Control Group (For TP-601D1, 220V)	1	SEE PAGE 120
	T6-8-20026	Electric Control Group (For TP-601D1, 240V)	1	SEE PAGE 120
	T6-8-21021	Electric Control Group (For TP-601D3, 220V)	1	SEE PAGE 123
	T6-8-21022	Electric Control Group (For TP-601D3, 380V/400V/415V)	1	SEE PAGE 123
4	T6-8-20007	Electric Control Group (For TP-601L1, 110V)	1	SEE PAGE 126
	T6-8-20029	Electric Control Group (For TP-601L1, 220V)	1	SEE PAGE 126
	T6-8-20030	Electric Control Group (For TP-601L1, 240V)	1	SEE PAGE 126
	T6-8-21017	Electric Control Group (For TP-601L3, 220V)	1	SEE PAGE 130
	T6-8-21018	Electric Control Group (For TP-601L3, 380V/400V/415V)	1	SEE PAGE 130



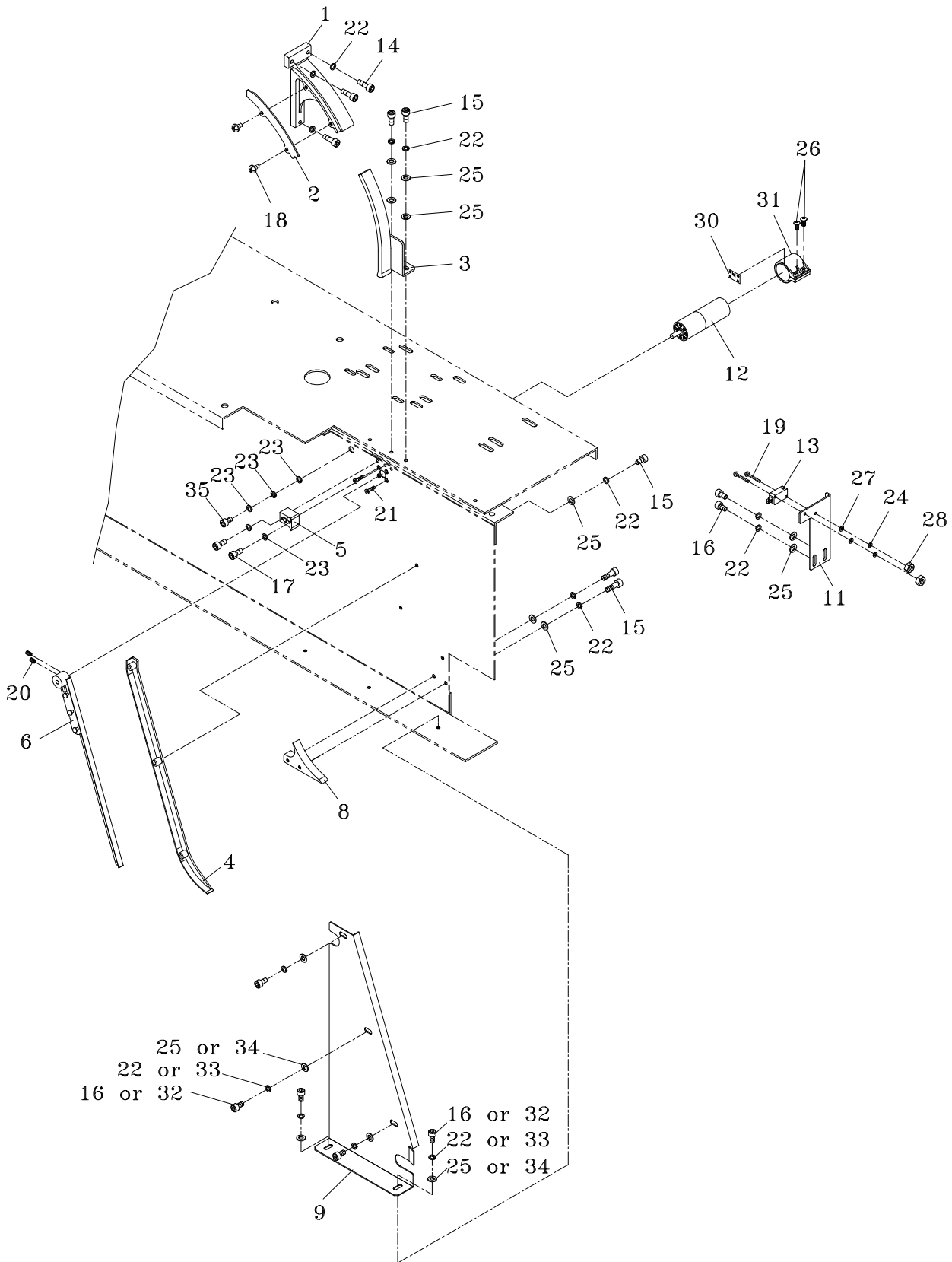
REF. NO.	PART NO.	DESCRIPTION	Q'TY	REMARKS
5	T6-8-30001	Control Group (For TP-601D)	1	SEE PAGE 133
	T6-8-30001S	Control Group (For TP-601D) (Stainless Steel Model)	1	SEE PAGE 133
6	T6-8-30002	Control Group (For TP-601L)	1	SEE PAGE 134

7-1

# AUTO STRAP FEEDING GROUP (For TP-601D)

T6-8-10000

T6-8-10001



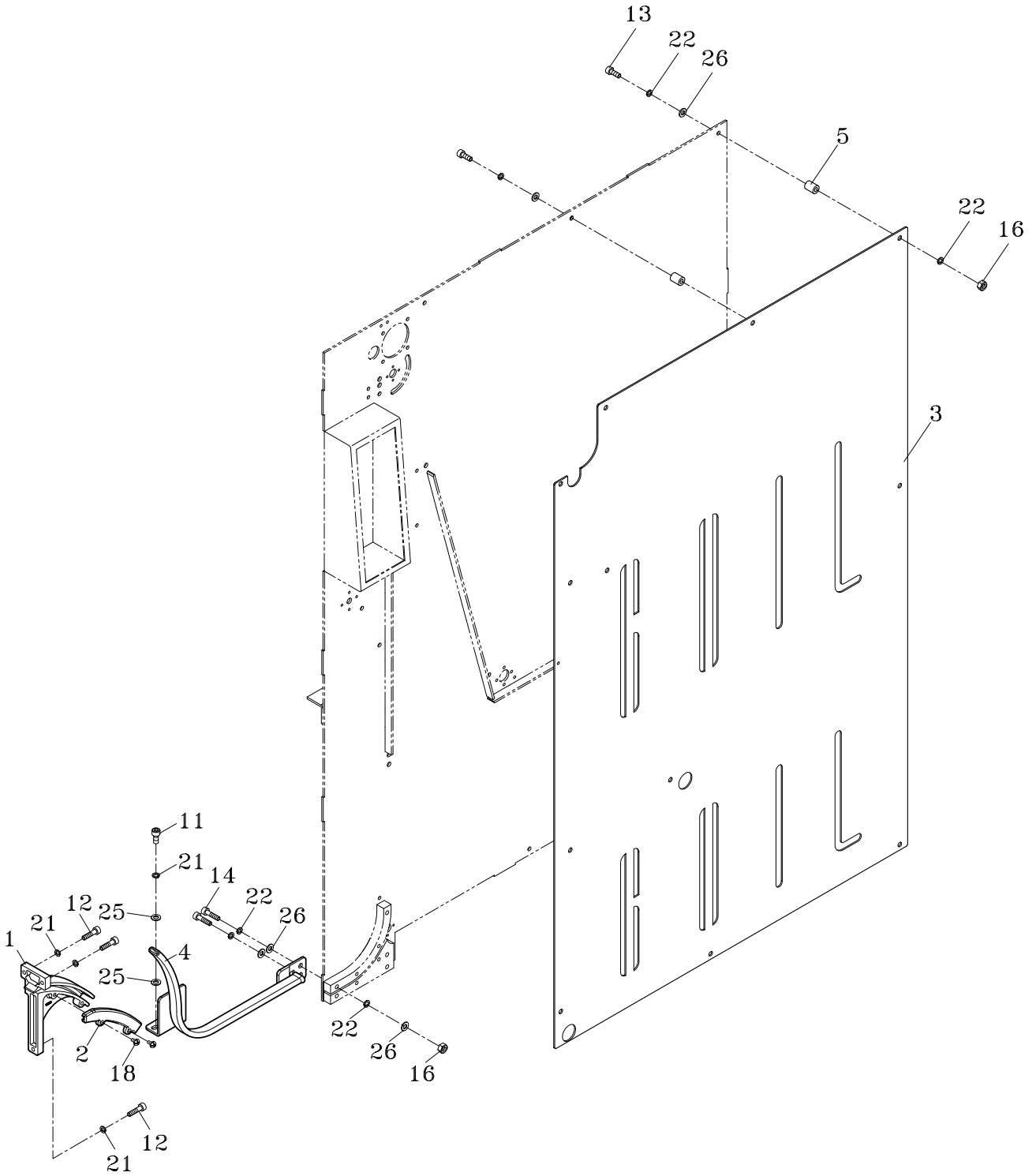
**7-1****AUTO STRAP FEEDING GROUP  
(For TP-601D)****T6-8-10000  
T6-8-10001**

REF. NO.	PART NO.	DESCRIPTION	Q'TY	REMARKS
	T6-8-10000	Auto Strap Feeding Group (For TP-601D, 9mm)	1	
	T6-8-10000S	Auto Strap Feeding Group (For TP-601D, 9mm)(Stainless Steel Model)	1	
	T6-8-10001	Auto Strap Feeding Group (For TP-601D, 12mm)	1	
	T6-8-10001S	Auto Strap Feeding Group (For TP-601D, 12mm)(Stainless Steel Model)	1	
1	T6-8-10110	Feed Unit Guide	1	
2	T6-8-10120	Guide Cover	1	
3	T6-8-10130	Feed Shooter	1	
4	T6-8-10140	Strap Guide (For 12mm)	1	
	T6-8-10141	Strap Guide (For 9mm)	1	
5	T6-8-10150	Strap Guide (For 12mm)	1	
	T6-8-10151	Strap Guide (For 9mm)	1	
6	T6-8-10160	Control Lever (For 12mm)	1	
	T6-8-10161	Control Lever (For 9mm)	1	
8	T6-8-10180	Strap Guide (For 12mm)	1	
	T6-8-10181	Strap Guide (For 9mm)	1	
9	T6-8-10190	Accumulator Cover	1	
	T6-8-10190S	Accumulator Cover (Stainless Steel Model)	1	
11	T6-8-10210	Bracket	1	
	T6-8-10210S	Bracket (Stainless Steel Model)	1	
12	T6-1-61211	Motor (M5)	1	
13	TF-007	Micro Switch	1	
14	HBS0516	HBS, M5×16	3	
15	HBS0510	HBS, M5×10	7	
16	HBS0508	HBS, M5×8	7	
17	HBS0412	HBS, M4×12	2	
	HBS0412S	HBS, M4×12 (Stainless Steel Model)	2	
18	TMS0508	TMS, M5×8	2	
19	PMS0320	PMS, M3×20	2	
20	HSS0506G	HSS, M5×6 (G)	2	
21	FMS0310	FMS, M3×10	4	

**7-1****AUTO STRAP FEEDING GROUP  
(For TP-601D)****T6-8-10000****T6-8-10001**

REF. NO.	PART NO.	DESCRIPTION	Q'TY	REMARKS
22	SW05	SW, M5	17	
23	SW04	SW, M4	5	
	SW04S	SW, M4 (Stainless Steel Model)	5	
24	SW03	SW, M3	2	
25	PW05	PW, M5	16	
26	TMS0408	TMS, M4×8	2	
27	PW03	PW, M3	2	
28	HN03	HN, M3	2	
30	LA-50057	Label	1	
31	T6-8-10410	Motor Cover	1	
32	HBS0508S	HBS, M5×8 (Stainless Steel Model)	5	
33	SW05S	SW, M5 (Stainless Steel Model)	5	
34	PW05S	PW, M5 (Stainless Steel Model)	5	
35	HBS0408	HBS, M4×8	1	
	HBS0408S	HBS, M4×8 (Stainless Steel Model)	1	

# AUTO STRAP FEEDING GROUP (For TP-601L)



7-2

**AUTO STRAP FEEDING GROUP**  
**(For TP-601L)**

**T6-8-10008**  
**T6-8-10009**

REF. NO.	PART NO.	DESCRIPTION	Q'TY	REMARKS
	T6-8-10008	Auto Strap Feeding Group (For TP-601L, 9mm)	1	
	T6-8-10008S	Auto Strap Feeding Group (For TP-601L, 9mm)(Stainless Steel Model)	1	
	T6-8-10009	Auto Strap Feeding Group (For TP-601L, 12mm)	1	
	T6-8-10009S	Auto Strap Feeding Group (For TP-601L, 12mm)(Stainless Steel Model)	1	
1	T6-8-10110	Feed Unit Guide	1	
2	T6-8-10120	Guide Cover	1	
	T6-8-10120S	Guide Cover (Stainless Steel Model)	1	
3	T6-8-30031	Accumulator Cover	1	
	T6-8-30031S	Accumulator Cover (Stainless Steel Model)	1	
4	T6-8-30133	Feed Shooter	1	
	T6-8-30133S	Feed Shooter (Stainless Steel Model)	1	
5	T6-3-20150	Spacer (For 9mm)	7	
	T6-3-20160	Spacer (For 12mm)	7	
11	HBS0510	HBS, M5×10	2	
	HBS0510S	HBS, M5×10 (Stainless Steel Model)	2	
12	HBS0516	HBS, M5×16	3	
	HBS0516S	HBS, M5×16 (Stainless Steel Model)	3	
13	HBS0630	HBS, M6×30	8	
	HBS0630S	HBS, M6×30 (Stainless Steel Model)	8	
14	HBS0635	HBS, M6×35	2	
	HBS0635S	HBS, M6×35 (Stainless Steel Model)	2	
16	HN06	HN, M6	13	
	HN06S	HN, M6 (Stainless Steel Model)	13	
18	TMS0508	TMS, M5×8	2	
	TMS0508S	TMS, M5×8 (Stainless Steel Model)	2	

7-2

**AUTO STRAP FEEDING GROUP**  
**(For TP-601L)**

**T6-8-10008**

**T6-8-10009**

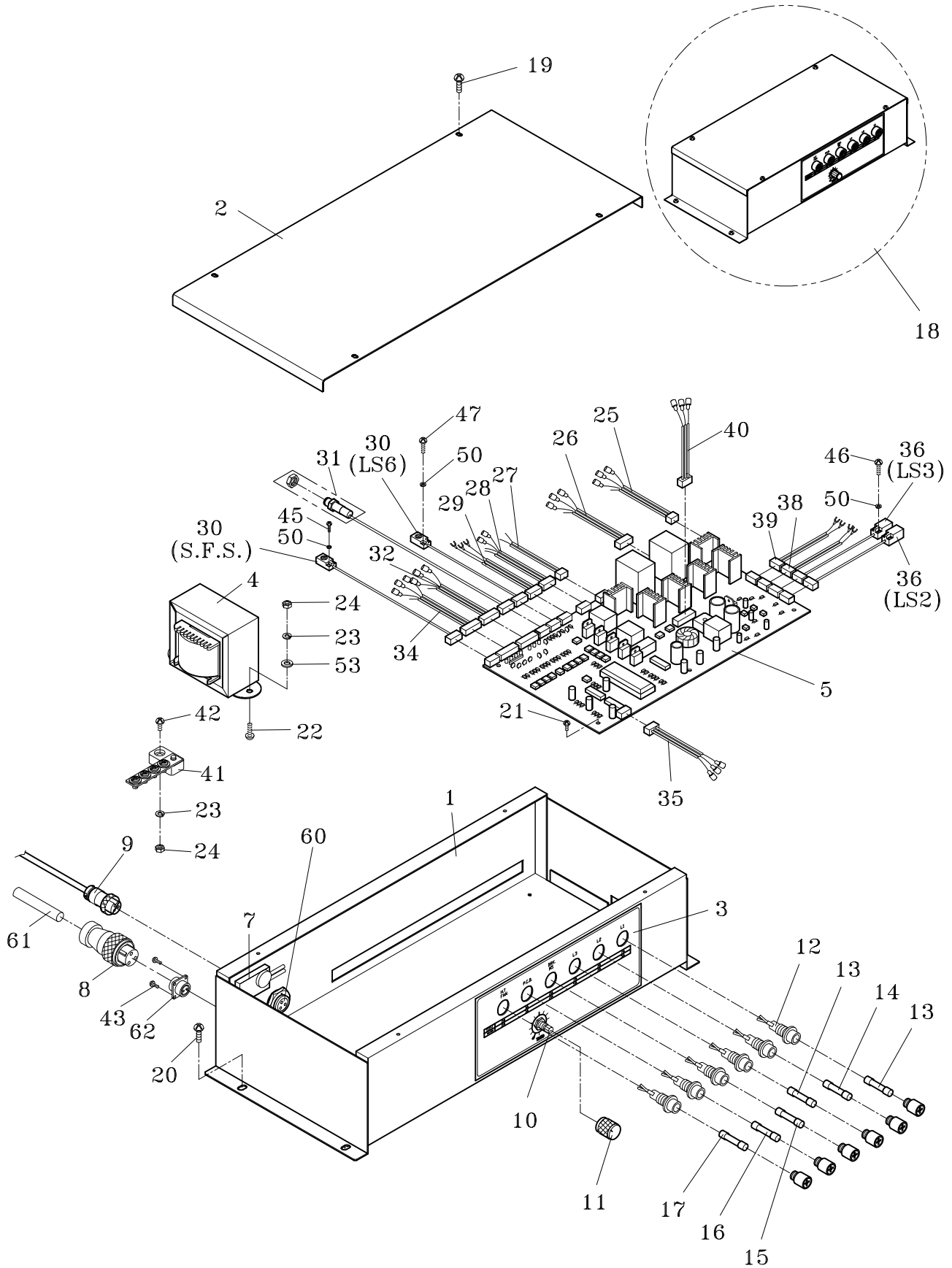
REF. NO.	PART NO.	DESCRIPTION	Q'TY	REMARKS
21	SW05	SW, M5	5	
	SW05S	SW, M5 (Stainless Steel Model)	5	
22	SW06	SW, M6	22	
	SW06S	SW, M6 (Stainless Steel Model)	22	
25	PW05	PW, M5	4	
	PW05S	PW, M5 (Stainless Steel Model)	4	
26	PW06A	PW, M6 (A)	11	
	PW06AS	PW, M6 (A)(Stainless Steel Model)	11	

7-3-1

# ELECTRIC CONTROL GROUP (For TP-601D1)

T6-8-20004

T6-8-20025





7-3-1

**ELECTRIC CONTROL GROUP  
(For TP-601D1)**

T6-8-20004

T6-8-20025

REF. NO.	PART NO.	DESCRIPTION	Q'TY	REMARKS
	T6-8-20004	Electric Control Group (For 110V)	1	
	T6-8-20025	Electric Control Group (For 220V)	1	
	T6-8-20026	Electric Control Group (For 240V)	1	
1	T6-8-21110	Box	1	
2	T6-8-21120	Cover	1	
3	LA-20086	Label	1	
4	T6-6-30041	Transformer	1	
5	T6-8-20150	P.C.Board (For 50HZ, 1Phase)	1	
	T6-8-20160	P.C.Board (For 60HZ, 1Phase)	1	
7	T6-6-30047	EMI Filter	1	
8	T6-6-10353	Connector (Plug)(Power)	1	
9	T6-6-30018	Connector (Heater)	1	
10	T5-4-10231	Variable Resistor (5K)( $\phi$ 3)	1	
11	T5-4-10221	Knob	1	
12	T5-4-10160	Fuse Holder	6	
13	T6-6-30033	Fuse (5A)(For 220V/230V/240V)	2	
	T6-6-30133	Fuse (10A)(For 110V)	2	
14	T6-6-30034	Fuse (7A)(For 220V/230V/240V)	1	
	T6-6-30133	Fuse (10A)(For 110V)	1	
15	T6-6-30031	Fuse (2A)	1	
16	T6-6-30036	Fuse (1A)	1	
17	T6-6-30031	Fuse (2A)(For 220V/230V/240V)	1	
	T6-6-30032	Fuse (3A)(For 110V)	1	
18	T6-8-20005	Electric Control Group (Without Wire Ass'y)(For 110V)	1	
	T6-8-20027	Electric Control Group (Without Wire Ass'y)(For 220V)	1	
	T6-8-20028	Electric Control Group (Without Wire Ass'y)(For 240V)	1	
19	TMS0306	TMS, M3×6	8	
20	TMS0508	TMS, M5×8	4	
21	PMS0306	PMS, M3×6	4	
22	PMS0412	PMS, M4×12	2	
23	SW04	SW, M4	3	
24	HN04	HN, M4	3	

7-3-1

**ELECTRIC CONTROL GROUP**  
**(For TP-601D1)**

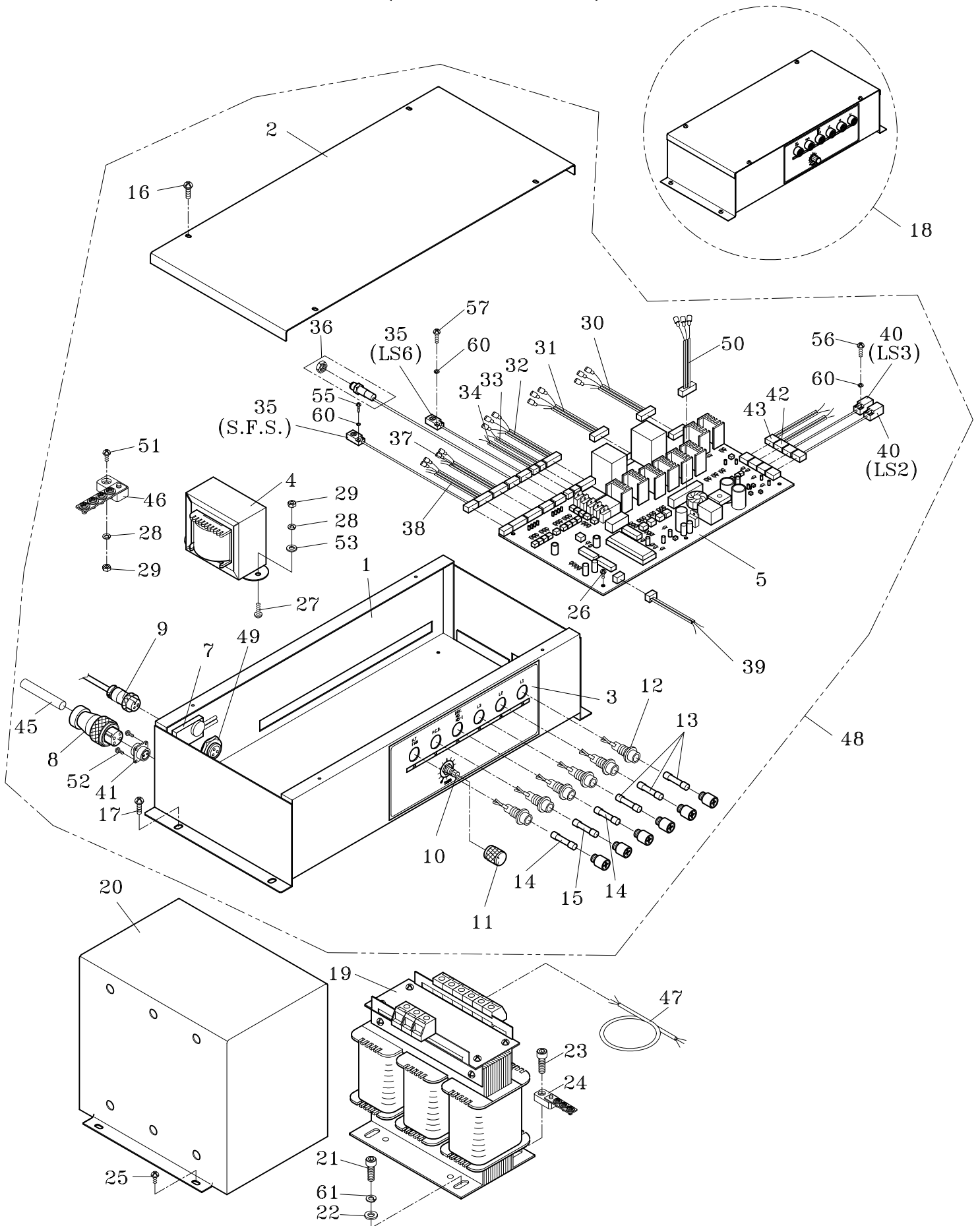
**T6-8-20004**  
**T6-8-20025**

REF. NO.	PART NO.	DESCRIPTION	Q'TY	REMARKS
25	T6-8-20440	Wire Ass'y X1 (Motor M1)	1	
26	T6-8-20450	Wire Ass'y X2 (Motor M2)	1	
27	T6-8-20460	Wire Ass'y X3 (Motor M3)	1	
28	T6-8-20470	Wire Ass'y X4 (Motor M5)	1	
29	T6-8-20480	Wire Ass'y X5 (Motor M5-1)	1	
30	T6-8-50681	Proximity Sensor (X6, X9-1)(LS6, S.F.S.)	2	SEE PAGE 7
31	T7-1-20350	Photo Eye (X7)(PH1)	1	SEE PAGE 19
32	T6-8-20510	Wire Ass'y X8 (Control Panel)	1	
34	T6-8-20520	Wire Ass'y X9 (LS4/LS5/Foot Switch)	1	
35	T6-8-20530	Wire Ass'y X10 (T1)	1	
36	T6-1-10681	Proximity Sensor (X11, X12)(LS2, LS3)	2	SEE PAGE 4
38	T6-8-20560	Wire Ass'y X13 (Weld Cooling Time)	1	
39	T6-8-20570	Wire Ass'y X14 (BRK)	1	
40	T6-8-20590	Wire Ass'y X0	1	
41	T6-8-20580	Earth Plate (4P)	1	
42	TMS0412	TMS, M4×12	1	
43	TMS0308	TMS, M3×8	4	
45	PMS0310	PMS, M3×10	2	SEE PAGE 7
46	PMS0320	PMS, M3×20	4	SEE PAGE 4
47	PMS0325	PMS, M3×25	2	SEE PAGE 7
50	SW03	SW, M3	8	SEE PAGE 4, 7
53	PW04	PW, M4	2	
60	T6-6-30318	Connector (Socket)(Heater)	1	
61	T6-6-30350	Power Cable	1	
62	T6-6-10352	Connector (Socket)(Power)	1	

7-3-2

# ELECTRIC CONTROL GROUP (For TP-601D3)

T6-8-21021  
T6-8-21022



7-3-2

**ELECTRIC CONTROL GROUP  
(For TP-601D3)**

**T6-8-21021  
T6-8-21022**

REF. NO.	PART NO.	DESCRIPTION	Q'TY	REMARKS
	T6-8-21021	Electric Control Group (For TP-601D3, 220V)	1	
	T6-8-21022	Electric Control Group (For TP-601D3, 380V/400V/415V)	1	
1	T6-8-21110	Box	1	
2	T6-8-21120	Cover	1	
3	LA-20090	Label	1	
4	T6-6-30041	Transformer	1	
5	T6-8-21150	P.C.Board (For 50HZ, 3Phase)	1	
	T6-8-21160	P.C.Board (For 60HZ, 3Phase)	1	
7	T6-6-30047	EMI Filter	1	
8	T6-6-10355	Connector (Plug)(Power)	1	
9	T6-6-30018	Connector (Heater)	1	
10	T5-4-10231	Variable Resistor (5K)( $\phi$ 3)	1	
11	T5-4-10221	Knob	1	
12	T5-4-10160	Fuse Holder	6	
13	T6-6-30034	Fuse (7A)	3	
14	T6-6-30031	Fuse (2A)	2	
15	T6-6-30036	Fuse (1A)	1	
16	TMS0306	TMS, M3 $\times$ 6	4	
17	TMS0508	TMS, M5 $\times$ 8	4	
18	T6-8-21006	Electric Control Group (Without Wire Ass'y)	1	
19	T6-8-21290	Transformer (For 380V/400V/415V)	1	
20	T6-8-21300	Transformer Cover (For 380V/400V/415V)	1	
21	HBS0510	HBS, M5 $\times$ 10 (For 380V/400V/415V)	3	
22	PW05	PW, M5 (For 380V/400V/415V)	3	
23	HBS0512	HBS, M5 $\times$ 12 (For 380V/400V/415V)	1	
24	T6-6-30200	Earth Plate (3P)(For 380V/400V/415V)	1	
25	TMS0408	TMS, M4 $\times$ 8 (For 380V/400V/415V)	4	
26	PMS0306	PMS, M3 $\times$ 6	4	
27	PMS0412	PMS, M4 $\times$ 12	2	
28	SW04	SW, M4	3	
29	HN04	HN, M4	3	
30	T6-8-21452	Wire Ass'y X1 (Motor M1)	1	

7-3-2

**ELECTRIC CONTROL GROUP  
(For TP-601D3)**

**T6-8-21021  
T6-8-21022**

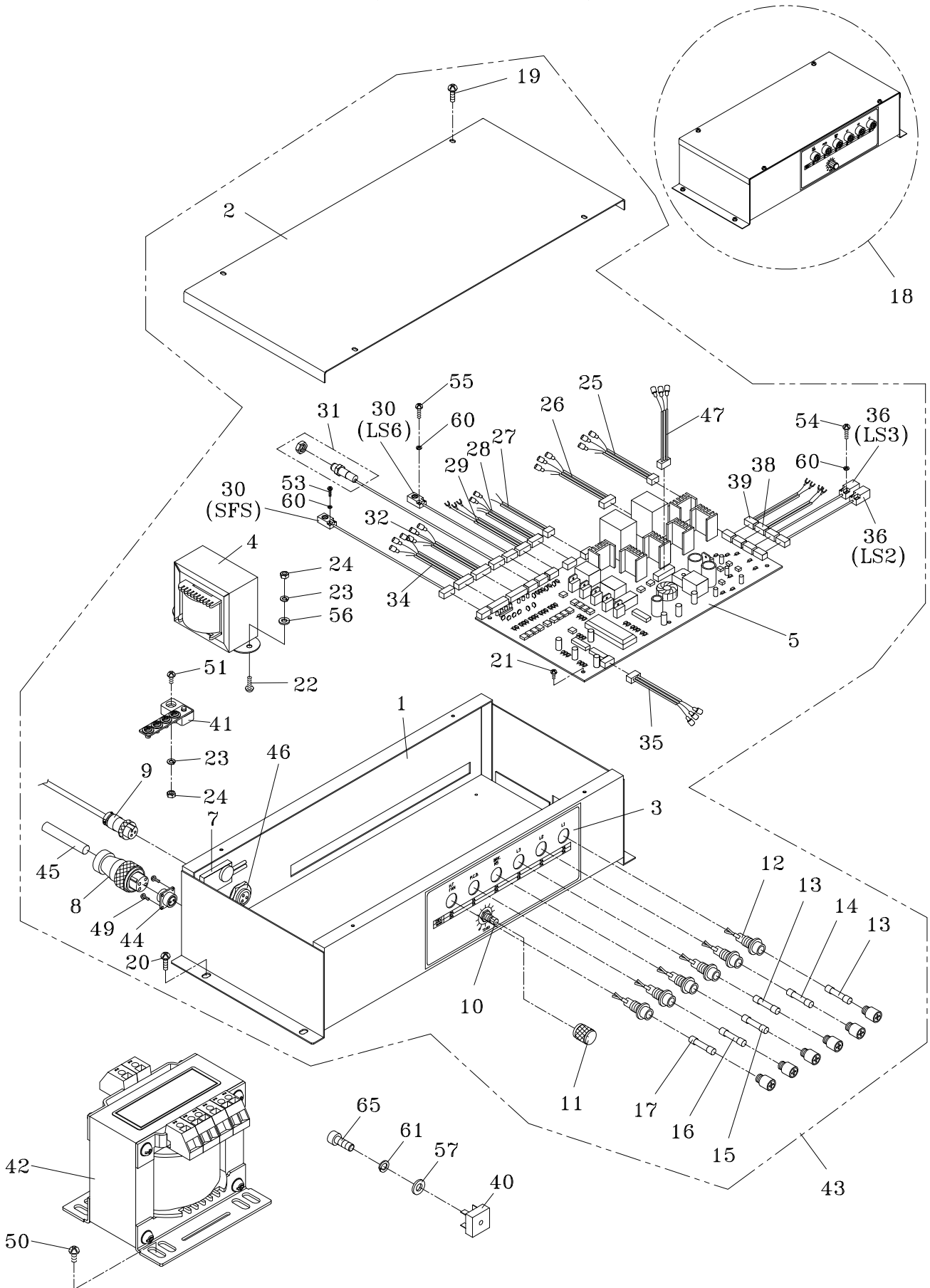
REF. NO.	PART NO.	DESCRIPTION	Q'TY	REMARKS
31	T6-8-21453	Wire Ass'y X2 (Motor M2)	1	
32	T6-8-21454	Wire Ass'y X3 (Motor M3)	1	
33	T6-8-20470	Wire Ass'y X4 (Motor M5)	1	
34	T6-8-20480	Wire Ass'y X5 (Motor M5-1)	1	
35	T6-8-50681	Proximity Sensor (X6, X9-1)(LS6, S.F.S.)	2	SEE PAGE 7
36	T7-1-20350	Photo Eye (X7)(PH1)	1	SEE PAGE 19
37	T6-8-20510	Wire Ass'y X8 (Control Panel)	1	
38	T6-8-20520	Wire Ass'y X9 (LS4/LS5/Foot Switch)	1	
39	T6-8-20530	Wire Ass'y X10 (T1)	1	
40	T6-1-10681	Proximity Sensor (X11, X12)(LS2, LS3)	2	SEE PAGE 4
41	T6-6-10354	Connector (Socket)(Power)	1	
42	T6-8-20560	Wire Ass'y X13 (Weld Cooling Time)	1	
43	T6-8-20570	Wire Ass'y X14 (BRK)	1	
45	T6-6-30351	Power Cable (For 220V)	1	
	T6-6-30352	Power Cable (For 380V/400V/415V)	1	
46	T6-8-20580	Earth Plate (4P)	1	
47	T6-6-30353	Power Cable (For 380V/400V/415V)	1	
48	T6-8-21023	Electric Control Group (With Wire Ass'y)(For 220V)	1	
	T6-8-21024	Electric Control Group (With Wire Ass'y)(For 380V/400V/415V)	1	
49	T6-6-30318	Connector (Socket)(Heater)	1	
50	T6-8-20591	Wire Ass'y X0	1	
51	TMS0412	TMS, M4×12	1	
52	TMS0308	TMS, M3×8	4	
53	PW04	PW, M4	2	
55	PMS0310	PMS, M3×10	2	SEE PAGE 7
56	PMS0320	PMS, M3×20	4	SEE PAGE 4
57	PMS0325	PMS, M3×25	2	SEE PAGE 7
60	SW03	SW, M3	8	SEE PAGE 4, 7
61	SW05	SW, M5 (For 380V/400V/415V)	3	

7-4-1

**ELECTRIC CONTROL GROUP**  
**(For TP-601L1)**

**T6-8-20007**

**T6-8-20029**



7-4-1

**ELECTRIC CONTROL GROUP  
(For TP-601L1)**

**T6-8-20007  
T6-8-20029**

REF. NO.	PART NO.	DESCRIPTION	Q'TY	REMARKS
	T6-8-20007	Electric Control Group (For 110V)	1	
	T6-8-20029	Electric Control Group (For 220V)	1	
	T6-8-20030	Electric Control Group (For 240V)	1	
1	T6-8-21110	Box	1	
2	T6-8-21120	Cover	1	
3	LA-20086	Label	1	
4	T6-6-30041	Transformer	1	
5	T6-8-20152	P.C.Board (For 50HZ, 1Phase)	1	
	T6-8-20161	P.C.Board (For 60HZ, 1Phase)	1	
7	T6-6-30047	EMI Filter	1	
8	T6-6-10353	Connector (Plug)(Power)	1	
9	T6-6-30018	Connector (Heater)	1	
10	T5-4-10231	Variable Resistor (5K)( $\phi$ 3)	1	
11	T5-4-10221	Knob	1	
12	T5-4-10160	Fuse Holder	6	
13	T6-6-30033	Fuse (5A)(For 220V/230V/240V)	2	
	T6-6-30133	Fuse (10A)(For 110V)	2	
14	T6-6-30034	Fuse (7A)(For 220V/230V/240V)	1	
	T6-6-30133	Fuse (10A)(For 110V)	1	
15	T6-6-30031	Fuse (2A)	1	
16	T6-6-30036	Fuse (1A)	1	
17	T6-6-30031	Fuse (2A)(For 220V/230V/240V)	1	
	T6-6-30032	Fuse (3A)(For 110V)	1	
18	T6-8-20009	Electric Control Group (Without Wire Ass'y)(For 110V)	1	
	T6-8-20031	Electric Control Group (Without Wire Ass'y)(For 220V)	1	
	T6-8-20032	Electric Control Group (Without Wire Ass'y)(For 240V)	1	
19	TMS0306	TMS, M3×6	4	
20	TMS0508	TMS, M5×8	4	
21	PMS0306	PMS, M3×6	4	
22	PMS0412	PMS, M4×12	2	
23	SW04	SW, M4	3	
24	HN04	HN, M4	3	

**7-4-1****ELECTRIC CONTROL GROUP  
(For TP-601L1)****T6-8-20007  
T6-8-20029**

REF. NO.	PART NO.	DESCRIPTION	Q'TY	REMARKS
25	T6-8-20441	Wire Ass'y X1 (Motor M1)	1	
26	T6-8-20451	Wire Ass'y X2 (Motor M2)	1	
27	T6-8-20461	Wire Ass'y X3 (Motor M3)	1	
28	T6-8-20471	Wire Ass'y X4 (Motor M5)	1	
29	T6-8-20481	Wire Ass'y X5 (Motor M5-1)	1	
30	T7-6-10810	Proximity Sensor (X6, X9-1)(LS6, S.F.S.)	2	SEE PAGE 7
31	T7-1-20350	Photo Eye (X7)(PH1)	1	SEE PAGE 19
32	T6-8-20511	Wire Ass'y X8 (Control Panel)	1	
34	T6-8-20523	Wire Ass'y X9 (LS4/LS5/Foot Switch)	1	
35	T6-8-20531	Wire Ass'y X10 (T1)	1	
36	T7-6-10790	Proximity Sensor (X11, X12)(LS2, LS3)	2	SEE PAGE 4
38	T6-8-20561	Wire Ass'y X13 (Weld Cooling Time)	1	
39	T6-8-20571	Wire Ass'y X14 (BRK)	1	
40	T6-8-21690	Bridge Rectifier (BR5002)	1	
41	T6-8-20580	Earth Plate (4P)	1	
42	MV-6-10030	Transformer (Control)(For 110V)	1	
	MV-6-10031	Transformer (Control) (For 220V/230V/240V)	1	
43	T6-8-20019	Electric Control Group (With Wire Ass'y)(For 110V)	1	
	T6-8-20033	Electric Control Group (With Wire Ass'y)(For 220V)	1	
	T6-8-20034	Electric Control Group (With Wire Ass'y)(For 240V)	1	
44	T6-6-10352	Connector (Socket)(Power)	1	
45	T6-6-30354	Power Cable	1	
46	T6-6-30318	Connector (Socket)(Heater)	1	
47	T6-8-20590	Wire Ass'y X0	1	
49	TMS0308	TMS, M3×8	4	
50	TMS0408	TMS, M4×8	4	
51	TMS0412	TMS, M4×12	1	
53	PMS0310	PMS, M3×10	2	SEE PAGE 7



**7-4-1****ELECTRIC CONTROL GROUP  
(For TP-601L1)****T6-8-20007  
T6-8-20029**

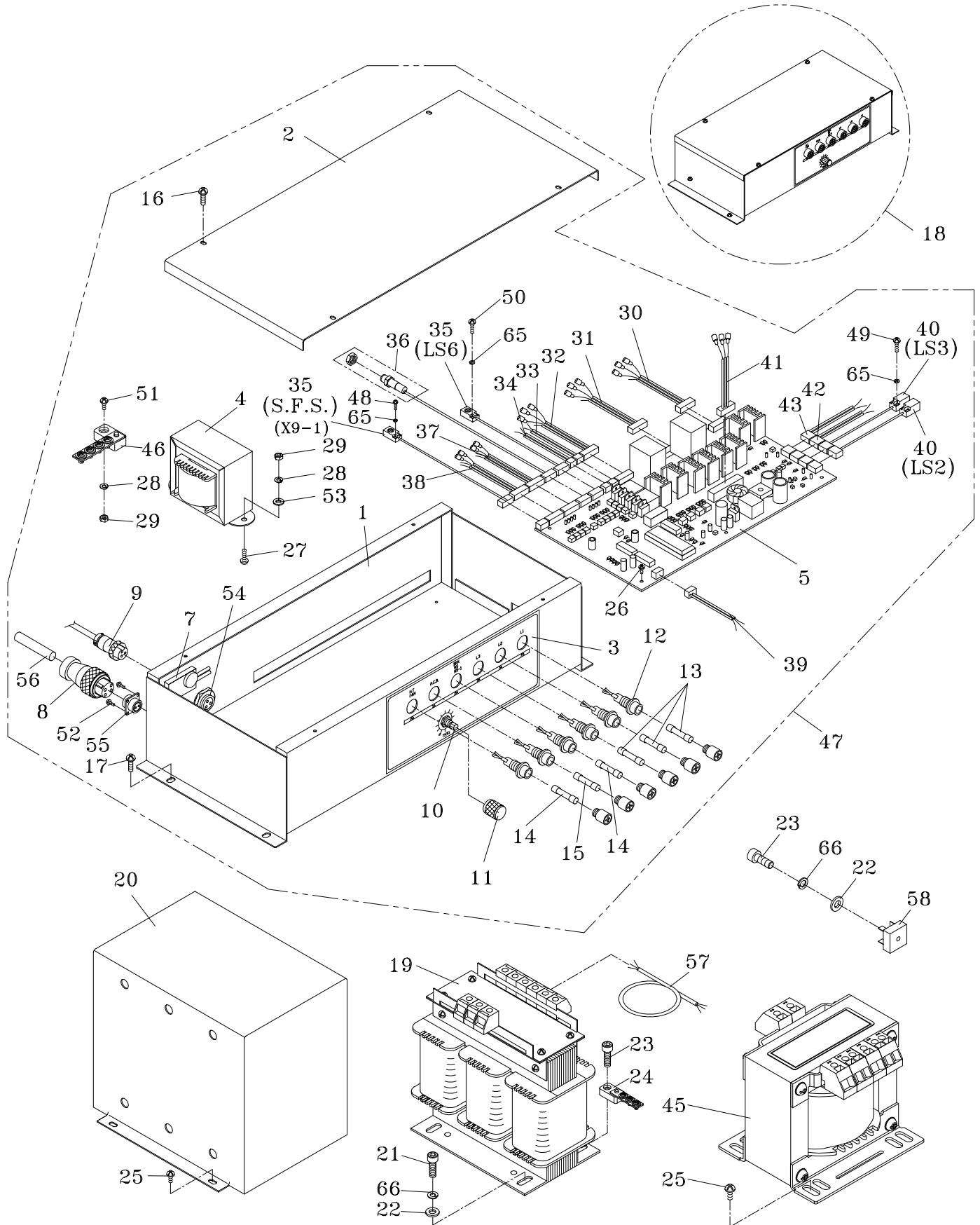
REF. NO.	PART NO.	DESCRIPTION	Q'TY	REMARKS
54	PMS0320	PMS, M3×20	4	SEE PAGE 4
55	PMS0325	PMS, M3×25	2	SEE PAGE 7
56	PW04	PW, M4	2	
57	PW05	PW, M5	1	
60	SW03	SW, M3	8	SEE PAGE 4, 7
61	SW05	SW, M5	1	
65	HBS0516	HBS, M5×16	1	

7-4-2

**ELECTRIC CONTROL GROUP**  
(For TP-601L3)

**T6-8-21017**

**T6-8-21018**



7-4-2

**ELECTRIC CONTROL GROUP  
(For TP-601L3)**

**T6-8-21017  
T6-8-21018**

REF. NO.	PART NO.	DESCRIPTION	Q'TY	REMARKS
	T6-8-21017	Electric Control Group (For TP-601L3, 220V)	1	
	T6-8-21018	Electric Control Group (For TP-601L3, 380V/400V/415V)	1	
1	T6-8-21110	Box	1	
2	T6-8-21120	Cover	1	
3	LA-20090	Label	1	
4	T6-6-30041	Transformer	1	
5	T6-8-21151	P.C.Board (For 50HZ, 3Phase)	1	
	T6-8-21161	P.C.Board (For 60HZ, 3Phase)	1	
7	T6-6-30047	EMI Filter	1	
8	T6-6-10355	Connector (Plug)(Power)	1	
9	T6-6-30018	Connector (Heater)	1	
10	T5-4-10231	Variable Resistor (5K)( $\phi$ 3)	1	
11	T5-4-10221	Knob	1	
12	T5-4-10160	Fuse Holder	6	
13	T6-6-30034	Fuse (7A)	3	
14	T6-6-30031	Fuse (2A)	2	
15	T6-6-30036	Fuse (1A)	1	
16	TMS0305	TMS, M3 $\times$ 5	4	
17	TMS0508	TMS, M5 $\times$ 8	4	
18	T6-8-21008	Electric Control Group (Without Wire Ass'y)	1	
19	T6-8-21290	Transformer (For 380V/400V/415V)	1	
20	T6-8-21300	Transformer Cover (For 380V/400V/415V)	1	
21	HBS0510	HBS, M5 $\times$ 10 (For 380V/400V/415V)	3	
22	PW05	PW, M5 PW, M5 (For 380V/400V/415V)	1 4	
23	HBS0516	HBS, M5 $\times$ 16 HBS, M5 $\times$ 16 (For 380V/400V/415V)	1 2	
24	T6-6-30200	Earth Plate (3P)(For 380V/400V/415V)	1	
25	TMS0408	TMS, M4 $\times$ 8	4	
26	PMS0306	PMS, M3 $\times$ 6	4	
27	PMS0412	PMS, M4 $\times$ 12	2	
28	SW04	SW, M4	3	

REF. NO.	PART NO.	DESCRIPTION	Q'TY	REMARKS
29	HN04	HN, M4	3	
30	T6-8-21455	Wire Ass'y X1 (Motor M1)	1	
31	T6-8-21456	Wire Ass'y X2 (Motor M2)	1	
32	T6-8-20461	Wire Ass'y X3 (Motor M3)	1	
33	T6-8-20471	Wire Ass'y X4 (Motor M5)	1	
34	T6-8-20481	Wire Ass'y X5 (Motor M5-1)	1	
35	T7-6-10810	Proximity Sensor (X6, X9-1)(LS6, S.F.S.)	2	SEE PAGE 7
36	T7-1-20350	Photo Eye (X7)(PH1)	1	SEE PAGE 19
37	T6-8-20511	Wire Ass'y X8 (Control Panel)	1	
38	T6-8-20523	Wire Ass'y X9 (LS4/LS5/Foot Switch)	1	
39	T6-8-20531	Wire Ass'y X10 (T1)	1	
40	T7-6-10790	Proximity Sensor (X11, X12)(LS2, LS3)	2	SEE PAGE 4
41	T6-8-20591	Wire Ass'y X0	1	
42	T6-8-20561	Wire Ass'y X13 (Weld Cooling Time)	1	
43	T6-8-20571	Wire Ass'y X14 (BRK)	1	
45	MV-6-10031	Transformer (Control)	1	
46	T6-8-20580	Earth Plate (4P)	1	
47	T6-8-21031	Electric Control Group (With Wire Ass'y)(For 220V)	1	
	T6-8-21032	Electric Control Group (With Wire Ass'y)(For 380V/400V/415V)	1	
48	PMS0310	PMS, M3×10	2	SEE PAGE 7
49	PMS0320	PMS, M3×20	4	SEE PAGE 4
50	PMS0325	PMS, M3×25	2	SEE PAGE 7
51	TMS0412	TMS, M4×12	1	
52	TMS0308	TMS, M3×8	4	
53	PW04	PW, M4	2	
54	T6-6-30318	Connector (Socket)(Heater)	1	
55	T6-6-30352	Connector (Socket)(Power)	1	
56	T6-6-30355	Power Cable (For 220V)	1	
	T6-6-30356	Power Cable (For 380V/400V/415V)	1	
57	T6-6-30357	Power Cable (For 380V/400V/415V)	1	
58	T6-8-21690	Bridge Rectifier (BR5002)	1	

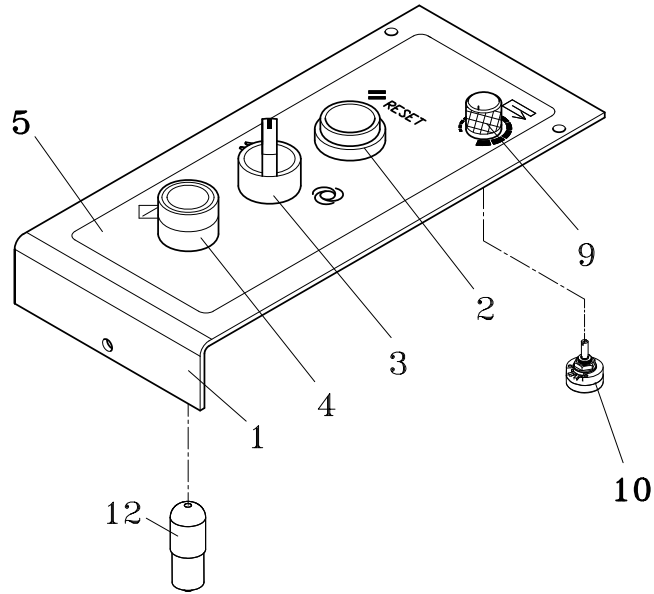
7-4-2

**ELECTRIC CONTROL GROUP**  
**(For TP-601L3)**

**T6-8-21017**  
**T6-8-21018**

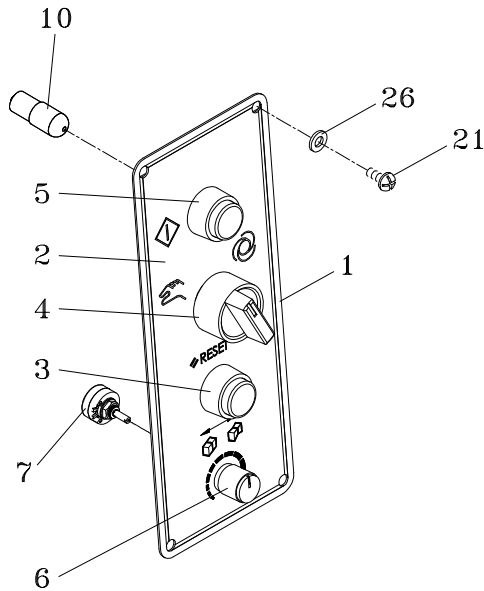
REF. NO.	PART NO.	DESCRIPTION	Q'TY	REMARKS
65	SW03	SW, M3	8	SEE PAGE 4, 7
66	SW05	SW, M5	1	
		SW, M5 (For 380V/400V/415V)	4	

**CONTROL GROUP  
(For TP-601D)**



REF. NO.	PART NO.	DESCRIPTION	Q'TY	REMARKS
	T6-8-30001	Control Group (For TP-601D)	1	
	T6-8-30001S	Control Group (For TP-601D) (Stainless Steel Model)	1	
1	T6-5-10244	Control Panel	1	SEE PAGE 72
	T6-5-10244S	Control Panel (Stainless Steel Model)	1	SEE PAGE 72
2	T6-6-40070	Push Button Switch (Reset)	1	
3	T6-6-40016	2 P. Selector Switch	1	
4	T6-6-10301	Start Switch With Lamp	1	
5	LA-10023	Label	1	SEE PAGE 72
9	T5-4-10222	Knob (Ø6)	1	
			1	
10	T5-4-10232	Variable Resistor (5K)(Ø6)	1	
			1	
12	T6-6-30310	Lamp	1	

## CONTROL GROUP (For TP-601L)



REF. NO.	PART NO.	DESCRIPTION	Q'TY	REMARKS
	T6-8-30002	Control Group (For TP-601L)	1	
	T6-8-30002S	Control Group (For TP-601L) (Stainless Steel Model)	1	
1	T6-8-30110	Control Panel	1	SEE PAGE 79
	T6-8-30110S	Control Panel (Stainless Steel Model)	1	SEE PAGE 79
2	LA-10030	Label	1	
3	T6-6-40070	Push Button Switch (Reset)	1	
4	T6-6-40016	2 P. Selector Switch	1	
5	T6-6-10301	Start Switch With Lamp	1	
6	T5-4-10222	Knob (Ø6)	1	
7	T5-4-10232	Variable Resistor (5K)(Ø6)	1	
10	T6-6-30310	Lamp	1	
21	TMS0508	TMS, M5×8	4	
	TMS0508S	TMS, M5×8 (Stainless Steel Model)	4	
26	PW05	PW, M5	4	
	PW05S	PW, M5 (Stainless Steel Model)	4	